



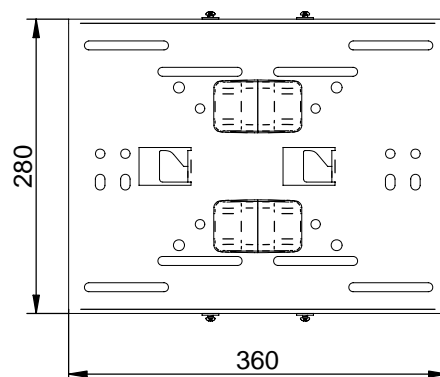
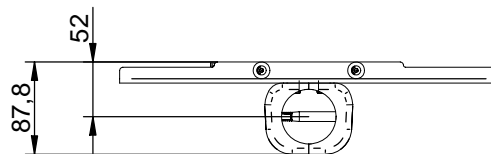
BT8026

LARGE FLAT SCREEN MOUNT, FOR 50MM (2") POLES ASSEMBLY AND INSTALLATION

This Pack Contains 1 Flat Screen Mounting Plate & 2 50mm Collars With Covers

Registered Design No: 4010378

SYSTEM2™



- Suitable for use with vertical or horizontal 50mm (2") poles
- Suitable for back-to-back screen installations
- Mounts screen in landscape or portrait style
- 2 heavy duty collars with covers included
- Compatible with BTX24V and BTX24H
- Attaches to mounts with 150 x 150mm fixing patterns
- Security Allen key and screws provided
- Supplied with safety bolt for secure installation
- Simple hook-on installation with all mounting hardware included
- Must be used with flat screen interface kit (BT7507 / BT8600 / BT8500 / BT8501)



CAUTION: This mount is intended for use only with the maximum weights indicated. Use with flat screens heavier than the maximum indicated may result in instability causing possible injury.

Do not attempt to install this product until all instructions and warnings have been read and properly understood. Please keep these instructions for future reference.

B-Tech International Limited, its distributors and dealers are not liable or responsible for damage or injury caused by improper installation, improper use or failure to observe these safety instructions. In such cases, all guarantees will expire.

General

B-Tech International Ltd recommends that a professional AV installer or other suitably qualified person install this product. Great care must always be taken during installation as most AV equipment is of a fragile nature, possibly heavy and easily damaged if dropped.

If you do not fully understand the instructions or are not sure how to install this product safely, then please consult a professional for advice and/or to install this product for you. Failure to mount this product correctly may cause serious injury or death both during installation and at any time thereafter.

Do not mount any AV equipment that exceeds the specific weight limit of the product you are installing. This weight limit will be clearly stated on each product and its packaging and will vary from product to product.

Product location

Please pay careful attention to where this product is located. Some ceilings, walls and floors are not suitable for installation.

If located in a public or frequently populated area ensure that the product is out of the immediate reach of people. If any AV equipment is to be suspended over the likely path or location of people then great care should be taken to secure all parts of the installation from falling.

If you install this product on drywall it must be securely fixed to a wooden stud, concrete block or other permanent structure behind the drywall board. Installing on drywall boards alone will not support the weight of most AV equipment.

When drilling holes in ceilings, walls and floors it is essential to avoid contact with electrical cables and water or gas pipes contained within. Use of a good quality live wire detector and hidden object locator is therefore recommended. Only drill into structures when you are sure it is safe to do so.

Fixing hardware

It is highly recommended that all ceiling, wall and floor fixing screws be used where supplied and that the purpose of all other fixing hardware is fully understood. In some cases more AV equipment fixing hardware will be supplied to accommodate different models of equipment and set up configurations.

The installer must be satisfied that any supplied fixing hardware is suitable for each specific installation. If any fixing screws or included hardware are deemed not sufficient for a safe installation then please consult a professional or your local hardware store.

Hazard limitation

When routing cables take advantage of any built in cable management features that the product might provide and ensure that all cables are tidy and secure. Check to see that any moving aspect of the product can do so unhindered by any cabling.

Some products have moving parts and the potential to cause injury through the crushing or trapping of fingers or other body parts.

Particular attention to the nature of moving parts is required especially when assembling installing and adjusting during set up.

Immediately after installations double-check that the work done is safe and secure. Double-check all necessary fixings are present and are of ample tightness.

It is recommended that periodic inspections of the product and its fixing points are made as frequently as possible to ensure that safety is maintained. If in doubt consult a professional AV installer or other suitably qualified person.

HEAD OFFICE

B-Tech International Ltd.
Bennett House, Long March,
Daventry, Northants, NN11 4NR, UK.
Tel: +44 (0)1327 300 787 Fax: +44 (0)1327 706 562
Email: info@btechavmounts.co.uk

EUROPE

B-Tech PRO-AV bvba
Brixtonlaan 32, Zaventem 1930,
Brussels, Belgium.
Tel: +32 (0)2 720 92 71 Fax: +32 (0)2 725 42 15
Email: info@btechproav.com

NORTH AMERICA

B-Tech Audio Video Mounts
203 Eggert Road,
Buffalo, NY 14215, USA.
Tel: (1)800 975 5812 Fax: (1)800 592 2876
Email: info@btechavmounts.com

SINGAPORE

B-Tech AV Mounts PTE Ltd
Ruby Industrial Complex,
Singapore 347740
Tel: (+65) 68412988 Fax: (+65) 6491 5613
Email: info@btechavmounts.com.sg

ASIA PACIFIC

B-Tech International (Hong Kong) Ltd.
1503 Prosperity Millennia Plaza, 663 King's Road,
Quarry Bay, Hong Kong.
Tel: (+852) 2556 7337 Fax: (+852) 2556 7321
Email: info@btechavmounts.com.hk

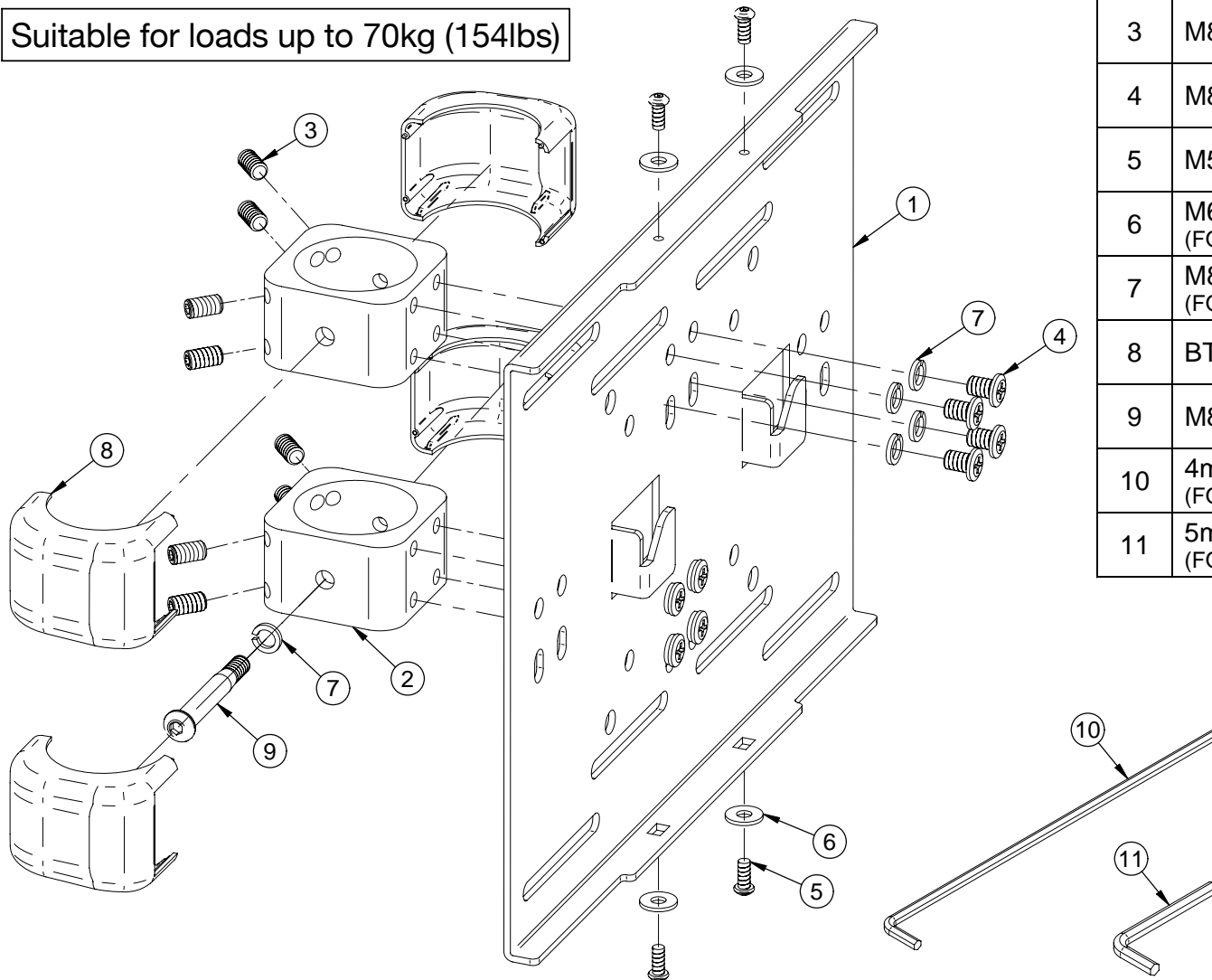
www.btechavmounts.com

©2010 Bennett Technologies Limited. All rights reserved. B-Tech Audio Video Mounts is a division of Bennett Technologies Limited. B-Tech, Better By Design & Mountlogic are registered trademarks of Bennett Technologies Limited. All other brands and product names are trademarks of their respective owners. Photographs are for illustrative purposes only. E&OE.



BT8026 PARTS LIST

Suitable for loads up to 70kg (154lbs)



| No | PART NAME | QTY |
|----|---|-----|
| 1 | MOUNTING PLATE (BT8009) | 1 |
| 2 | BT7051 COLLAR | 2 |
| 3 | M8 X 15mm GRUB SCREW | 8 |
| 4 | M8 X 12mm FLAT HEAD CROSS SCREW | 16 |
| 5 | M5 X 12mm PIN HEX SCREW | 4 |
| 6 | M6 METAL WASHER (FOR PART 5) | 4 |
| 7 | M8 SPRING WASHER (FOR PART 4 & 9) | 17 |
| 8 | BT7051 COLLAR COVER | 4 |
| 9 | M8 X 65mm HEX SAFETY BOLT | 1 |
| 10 | 4mm PIN HEX KEY (LONG) (FOR PARTS 3 & 5) | 1 |
| 11 | 5mm HEX KEY (FOR PART 9) | 1 |

Spare screws and washers are provided for use on the other side of the collar if two accessories need to be attached.

Covers cannot be used in this situation.

PLEASE KEEP THIS PARTS LIST FOR FUTURE REFERENCE



BT8026

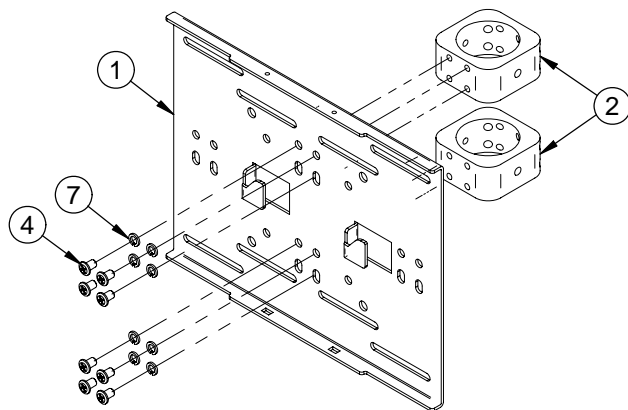
INSTALLATION INSTRUCTIONS

Tools Required For Installation:

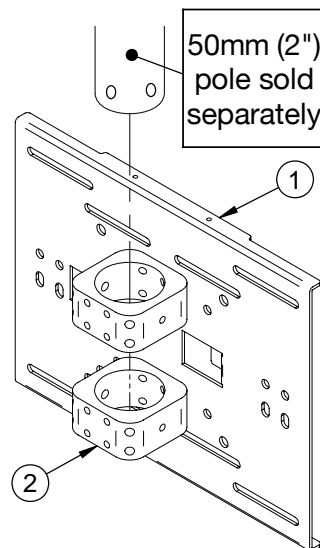
- Crosshead Screwdriver

1. Attach collars to the mounting plate

Fasten both 50mm accessory collars (**Part 2**) to the mounting plate (**Part 1**) by using the M8 cross screws (**Part 4**) with the spring washers (**Part 7**).

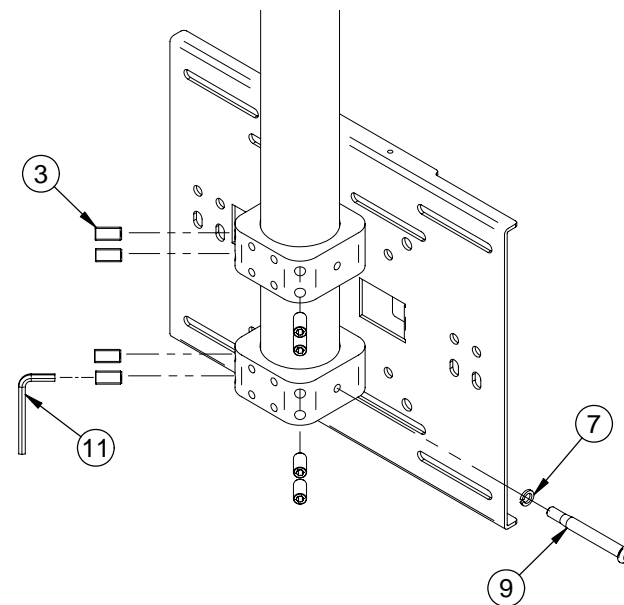


2. Fix mount to the pole



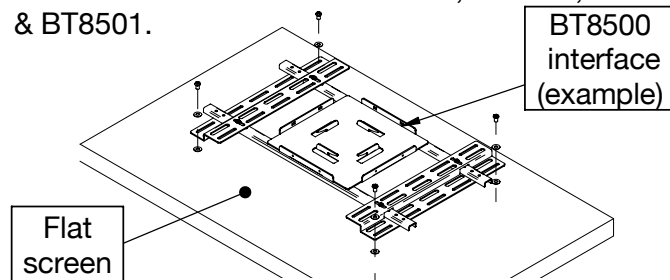
Slide the collars (**Part 2**) onto the pole, until the desired height is achieved.

Fit the safety bolt (**Part 9**) with spring washer (**Part 7**) through the bottom collar and pole, then fasten grub screws (**Part 3**) to fix the position.



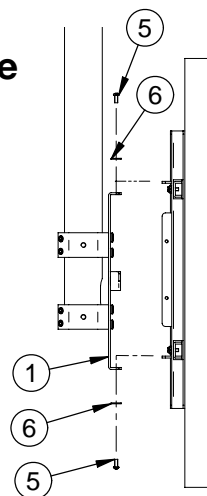
3. Fix the interface kit (sold separately) to the flat screen

Mount a B-Tech interface kit to the flat screen. See interface kit manual for screen fixing instructions. Suitable interface kits are BT7507, BT8600, BT8500 & BT8501.



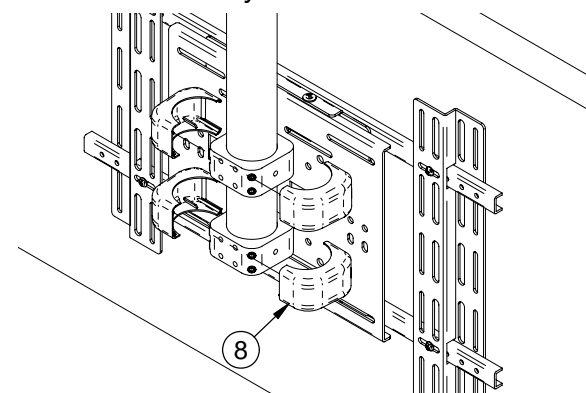
4. Hook the flat screen onto the mounting plate

Hook the interface (with flat screen attached) onto the mounting plate (**Part 1**), then secure by using the 4mm hex key (**Part 10**) to tighten the 4 pin hex screws (**Part 5**) with washers (**Part 6**) at the top and bottom of the interface plate.



5. Attach collar covers

Fit the collar covers (**Part 8**) onto the 2 collars for a neat and tidy finish.

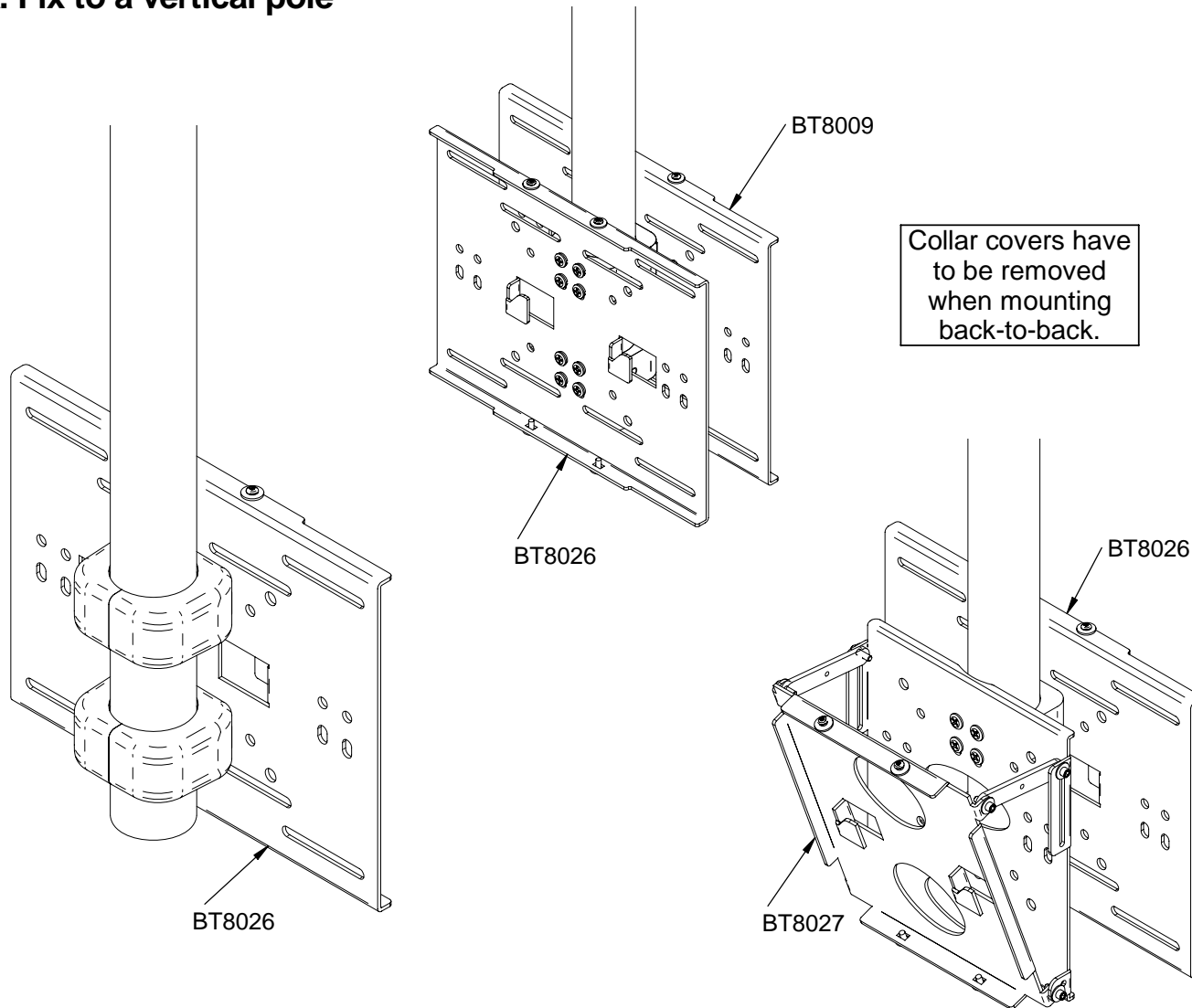




BT8026

TYPICAL INSTALLATIONS

A. Fix to a vertical pole



B. Horizontal pole configurations

