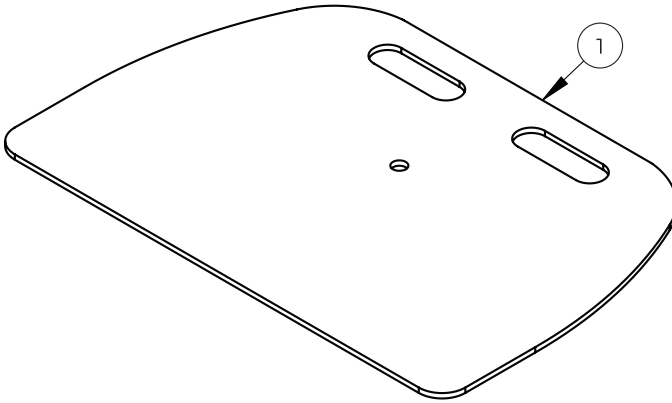


Small Floor Base

Use With A BT4107 Or A BT4116 Pole

Installation Guide



Item	Description	Qty
1	Floor Base	1

Max Load (Max Height 1.6m)	Max Load (Max Height 1.1m)
8kg [18lbs]	15kg [33lbs]

*Note: Max weight dependent on the height of the installed mount - see *page 2* for more details

Installation Safety Instructions



Caution: This mount is intended for use only with the maximum weights indicated. Use with equipment heavier than the maximum indicated may result in instability causing possible injury.

B-Tech AV Mounts, it's distributors and dealers are not responsible for damage or injury caused by improper installation, improper use, modifications, installations over the specified weight capacity and/or failure to observe these safety instructions. In such cases, any warranty will expire.

It is recommended that this product should only be installed by a qualified professional / installer.

B-Tech AV Mounts does not claim any liability for any difficulties that may arise from the interpretation contained in these instructions. Failure to mount this product correctly may lead to serious injury and/or death.

Please check carefully to make sure there are no missing or defective parts - defective parts must never be used.

In the event of missing and/or defective parts, or technical questions, please contact an authorised dealer.

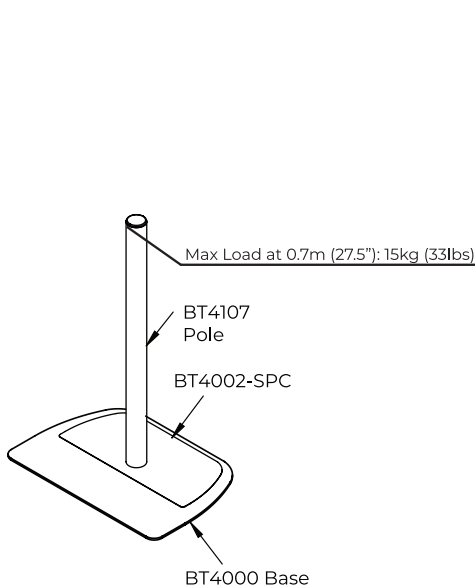
Pay careful attention to where this product is located, some locations are not suitable for installation. For indoor use only. It is recommended that periodic inspections of the product are made as frequently as possible to ensure that safety is maintained.

Please keep these instructions for future reference.

Installation Notes

BT4000 Max Loads

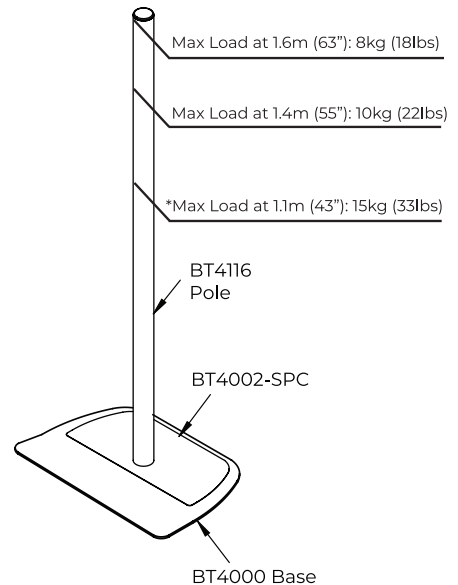
BT4000 with 0.7m (27.5") Pole



Pole height: 0.7m (27.5")

Max load: **15kg (33lbs)**

BT4000 with 1.6m (63") Pole



**The top of the pole may be visible when mounting the screen at this height.*

Pole height: 1.6m (63")

Max load at 1.6m: **8kg (18lbs)**

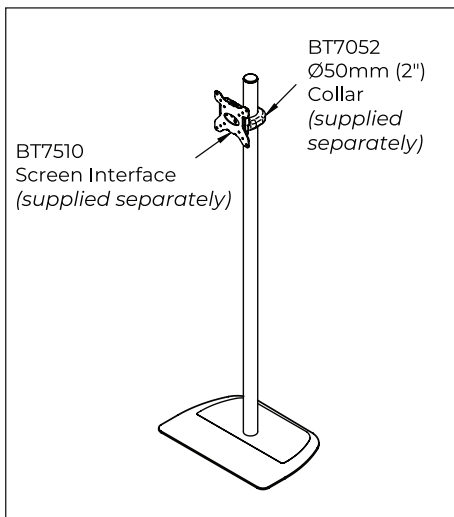
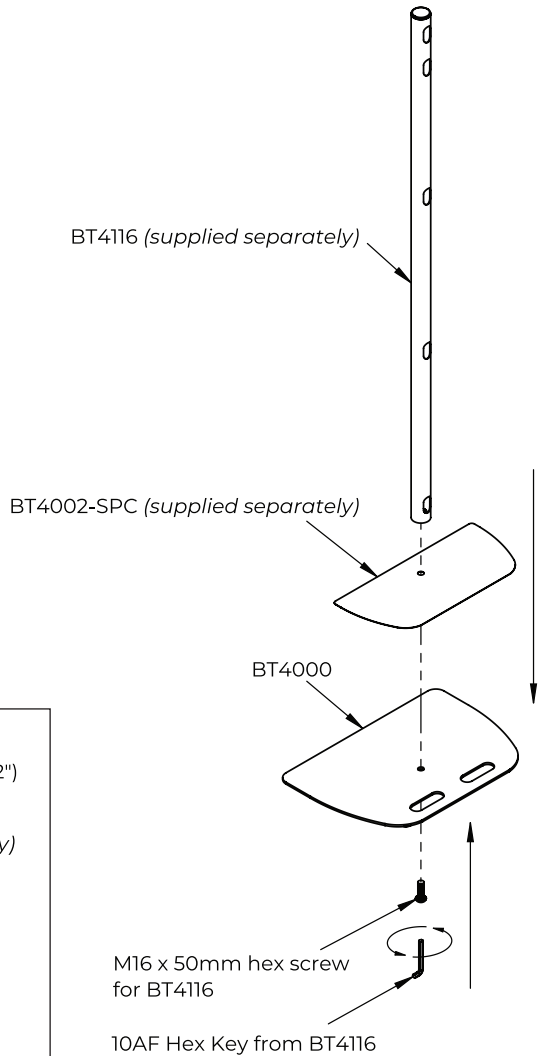
Max load at 1.4m: **10kg (22lbs)**

Max load at 1.1m: **15kg (33lbs)**

Installation Instructions

Attach Pole To The Base

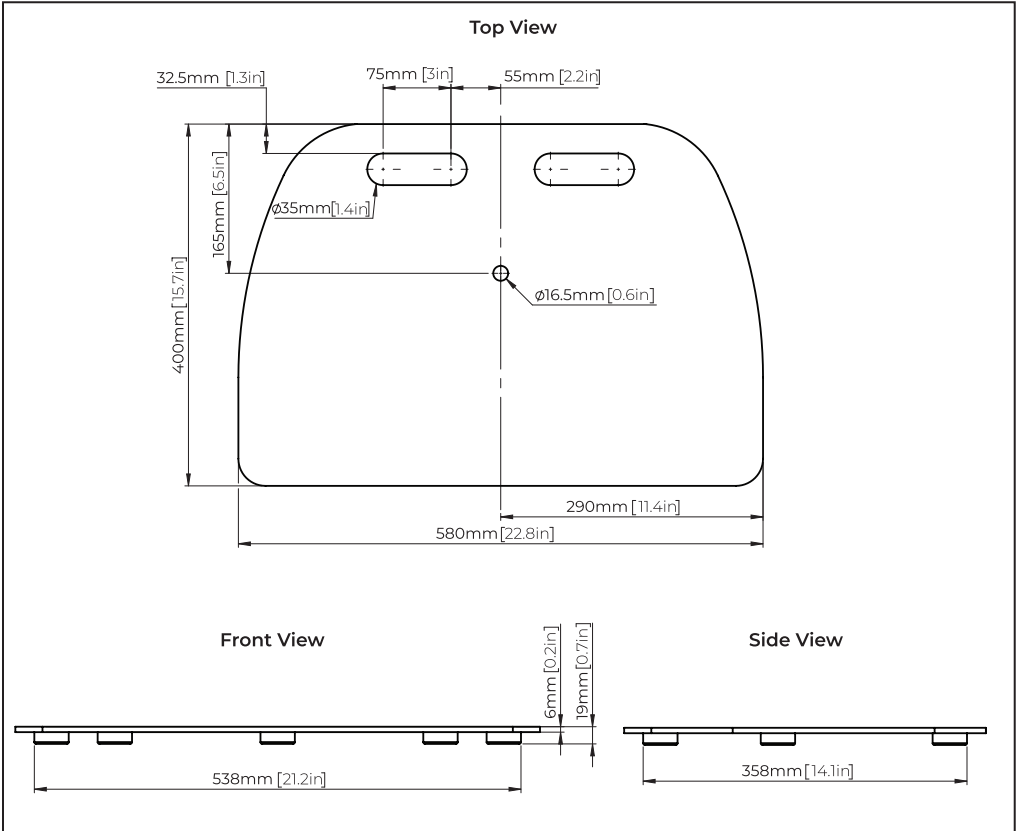
Use the fixing screws supplied with the pole to connect base to pole and cover.



Small Floor Base

Use With A BT4107 Or A BT4116 Pole

Dimensions



Contact: info@btechavmounts.com

©2024 B-Tech AV Mounts Corporation Ltd. All rights reserved.

B-Tech AV Mounts is a division of B-Tech AV Mounts Corporation Ltd.
B-Tech AV Mounts and the B-Tech logo are registered trademarks.
All B-Tech images and symbols are exclusive property of B-Tech AV Mounts Corporation Ltd.
All other brands and product names are trademarks of their respective owners.
Any reproduction, retransmission or republication of any part of this manual is strictly prohibited,
unless prior written permission has been granted by B-Tech AV Mounts Corporation Ltd.
Photographs are for illustrative purposes only. E&OE

AMA-BT4000-V2-0624-129 Made in Vietnam

