

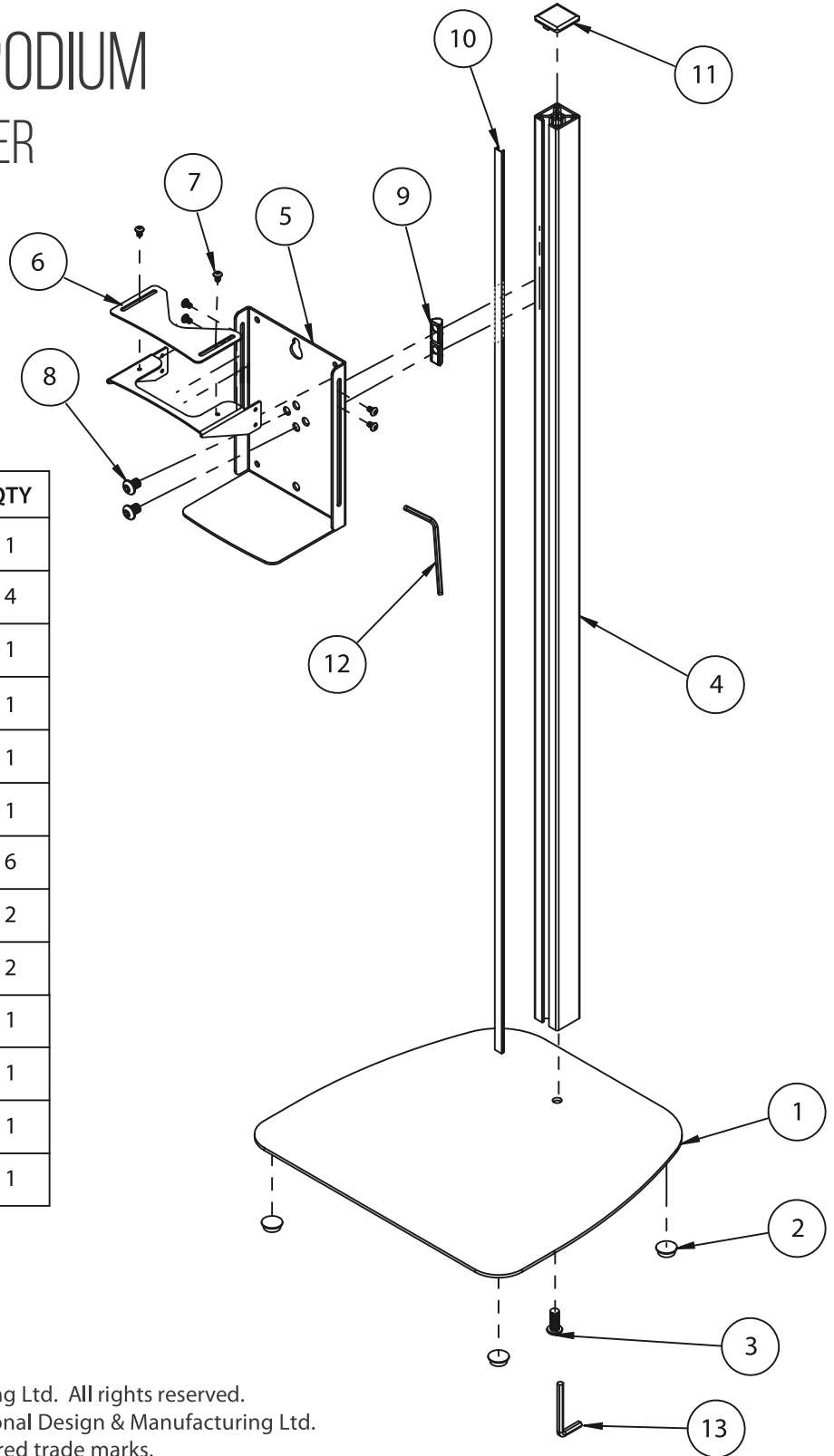
BT7402

FREESTANDING PODIUM FOR BOTTLED SANITISER

PARTS LIST

ITEM	DESCRIPTION	QTY
1	FLOOR BASE	1
2	FOOT	4
3	M8 x 20mm HEX SCREW	1
4	MOUNTING COLUMN - L1000mm	1
5	SANITISER CRADLE	1
6	CLAMP	1
7	M4 x 6mm SCREW	6
8	M8 x 12mm SCREW	2
9	M8 SLIDING NUT	2
10	PLASTIC SLOT INSERT*	1
11	END CAP	1
12	2.5AF HEX KEY	1
13	5AF HEX KEY	1

*Plastic slot insert (item 10) will need to be cut to size



CONTACT:

info@btechavmounts.com

©2020 B-Tech International Design & Manufacturing Ltd. All rights reserved.
 B-Tech AV Mounts is a division of B-Tech International Design & Manufacturing Ltd.
 B-Tech AV Mounts and the B-Tech logo are registered trade marks.
 All other brands and product names are trademarks of their respective owners.
 Photographs are for illustrative purposes only. E&OE.

AMA-BT7402-V1-0720-57 MADE IN THE UK

