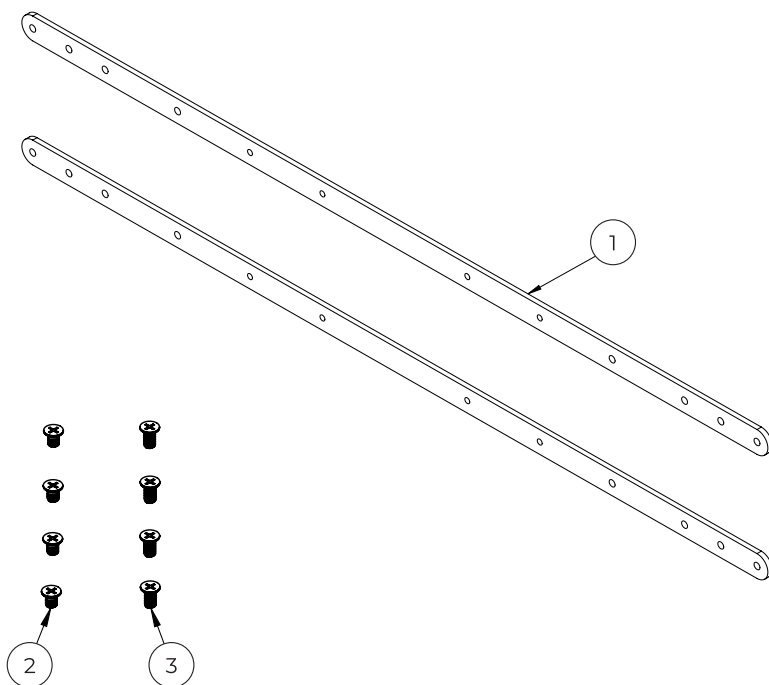


# Interface Adaptor Arms

For VESA<sup>®</sup> Fixings 600 / 800 / 900 / 1000

## Parts List



Item	Description	Qty
1	VESA 1000 Adaptor Arm	2
2	M8 x 12mm Screw	4
3	M8 x 16mm Screw	4

Use with a VESA 400 or 600 screen mount to increase compatible fixings to 1000 x 400mm or 1000 x 600mm



# Installation Safety Instructions



**Caution:** This mount is intended for use only with the maximum weights indicated. Use with equipment heavier than the maximum indicated may result in instability causing possible injury.

B-Tech AV Mounts, it's distributors and dealers are not responsible for damage or injury caused by improper installation, improper use, modifications, installations over the specified weight capacity and/or failure to observe these safety instructions. In such cases, any warranty will expire.

It is recommended that this product should only be installed by a qualified professional / installer.

B-Tech AV Mounts does not claim any liability for any difficulties that may arise from the interpretation contained in these instructions. Failure to mount this product correctly may lead to serious injury and/or death.

Please check carefully to make sure there are no missing or defective parts - defective parts must never be used.

In the event of missing and/or defective parts, or technical questions, please contact an authorised dealer.

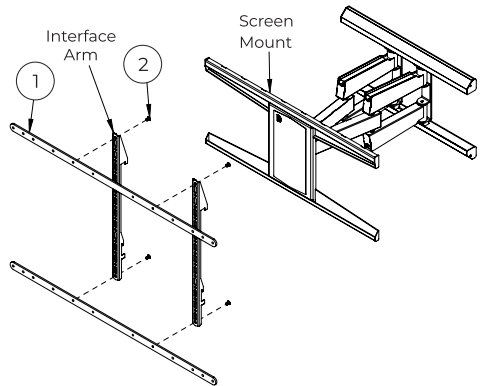
Pay careful attention to where this product is located, some locations are not suitable for installation. For indoor use only. It is recommended that periodic inspections of the product are made as frequently as possible to ensure that safety is maintained.

*Please keep these instructions for future reference.*

## Installation Instructions

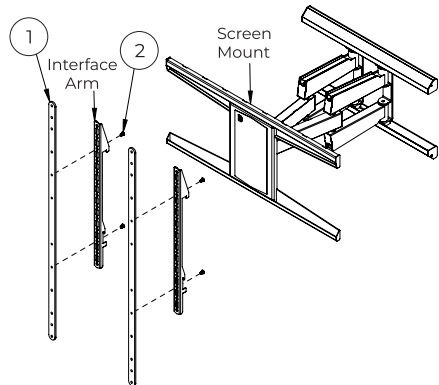
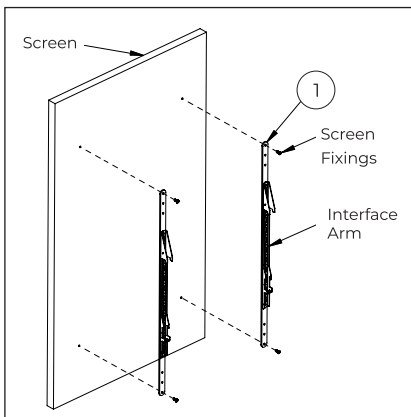
### A. Assembly Instructions With One Set Of Adaptors

- i. Use x4 *item 2* to securely fix the screen mount's interface arms to *item 1*
- ii. Mount *item 1* directly to the back of the screen with interface arms attached.



### Landscape Mounting

### Portrait Mounting



## B. Assembly Instructions

### Using Two Sets Of Adaptors

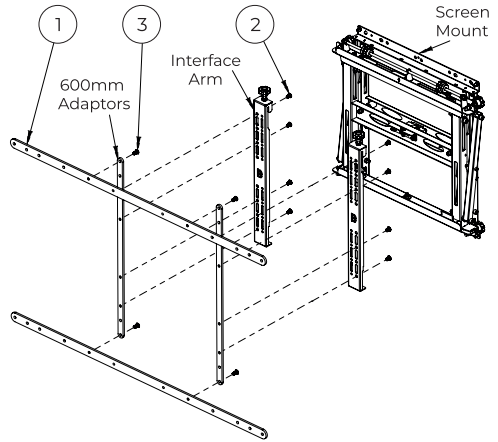
To mount 1000 x 600mm fixings to a VESA 400 mount, combine BT7569 adaptors with a pair of 600mm adaptors (*supplied separately*).

#### Landscape Mounting

- i. Use x8 *item 2* to securely fix the 600 adaptors to the interface arms at the 200mm and 400mm positions.

**Note:** 4pcs of M8 x 12mm screws are supplied with each set of adaptors.

- ii. Attach *item 1* to the 600mm adaptors using *item 3*.
- iii. Mount adaptors to the back of the screen with interface arms attached.

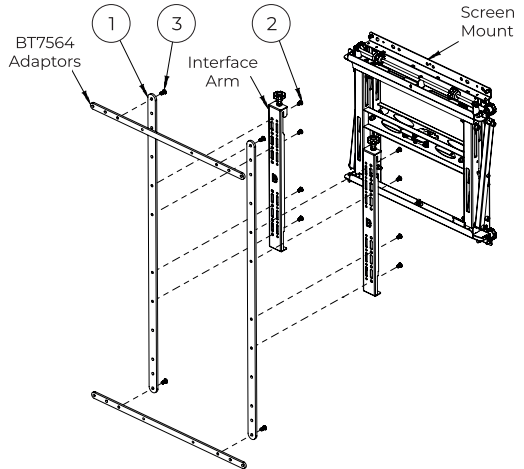


#### Portrait Mounting

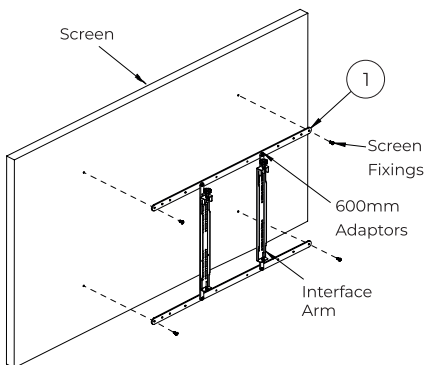
- i. Use x8 *item 2* to securely fix the interface arms at the 200mm and 400mm positions to *item 1*.

**Note:** 4pcs of M8 x 12mm screws are supplied with each set of adaptors.

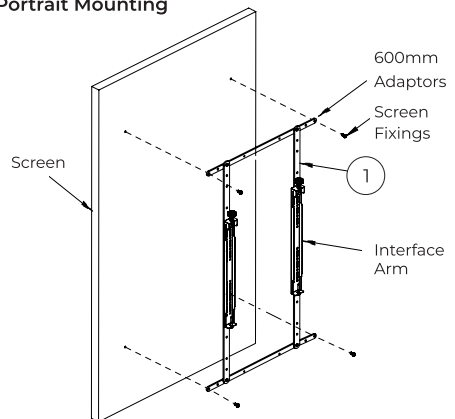
- ii. Attach *item 1* to the 600mm adaptors using *item 3*.
- iii. Mount adaptors to the back of the screen with interface arms attached.



#### Landscape Mounting



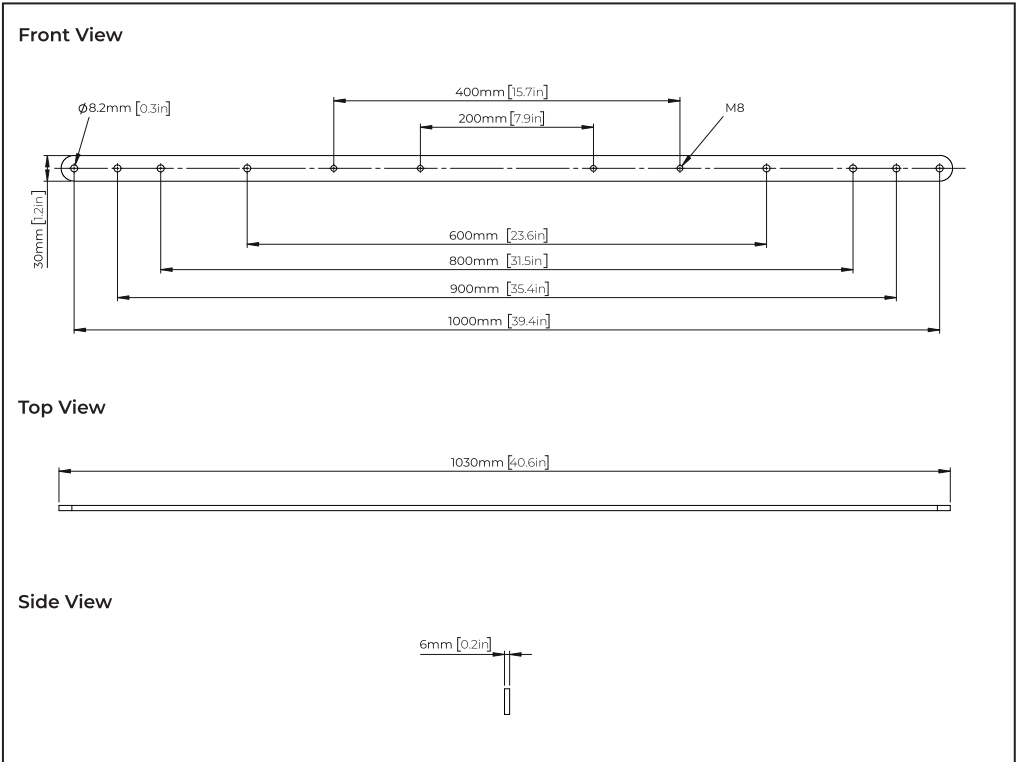
#### Portrait Mounting



# Interface Adaptor Arms

For VESA<sup>®</sup> Fixings 600 / 800 / 900 / 1000

## Dimensions



Contact: [info@btechavmounts.com](mailto:info@btechavmounts.com)

©2026 B-Tech AV Mounts Corporation Ltd. All rights reserved.

B-Tech AV Mounts is a division of B-Tech AV Mounts Corporation Ltd.

B-Tech AV Mounts and the B-Tech logo are registered trademarks.

All B-Tech images and symbols are exclusive property of B-Tech AV Mounts Corporation Ltd.

All other brands and product names are trademarks of their respective owners.

Any reproduction, retransmission or republication of any part of this manual is strictly prohibited, unless prior written permission has been granted by B-Tech AV Mounts Corporation Ltd.

Photographs are for illustrative purposes only. E&OE

AMA-BT7569-V1.1-0126-44 Made in the P.R.C.

