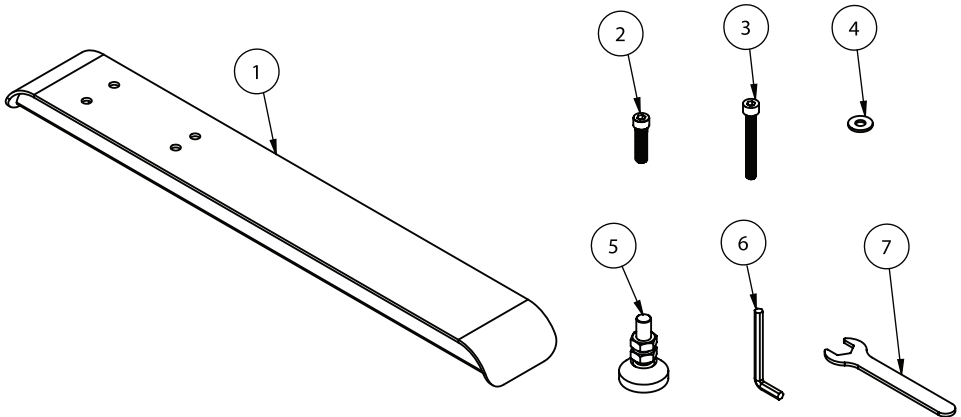


# BT8380-SHB

SHORT BASE  
FOR USE WITH A BT8380 COLUMN

## PARTS LIST



ITEM	PART NAME	QTY
1	BASE	1
2	M8 x 35mm HEX SCREW	2
3	M8 x 65mm HEX SCREW	2
4	M8 METAL WASHER	2
5	ARTICULATING FOOT	2
6	6AF HEX KEY	1
7	19mm SPANNER	1

Designed to work in conjunction with B-Tech's System X range

# INSTALLATION SAFETY INSTRUCTIONS



**CAUTION:** This product is intended for use only with the maximum weights indicated. Use with screens heavier than the maximum indicated may result in instability causing possible injury.

B-Tech AV Mounts, it's distributors and dealers are not responsible for damage or injury caused by improper installation, improper use, modifications, installations over the specified weight capacity and/or failure to observe these safety instructions. In such cases, any warranty will expire.

It is recommended that this product should only be installed by a qualified professional / installer.

B-Tech AV Mounts does not claim any liability for any difficulties that may arise from the interpretation contained in these instructions. Failure to mount this product correctly may lead to serious injury and/or death.

Please check carefully to make sure there are no missing or defective parts - defective parts must never be used.

In the event of missing and/or defective parts, or technical questions, please contact an authorised dealer.

Pay careful attention to where this product is located, some locations are not suitable for installation. For indoor use only.

It is recommended that periodic inspections of the product are made as frequently as possible to ensure that safety is maintained.

*Please keep these instructions for future reference.*

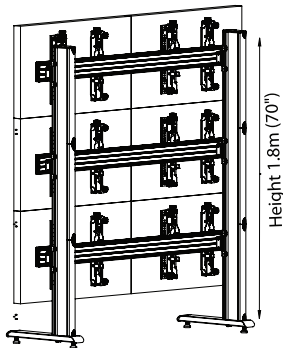
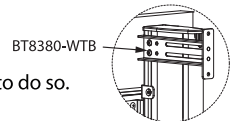
## INSTALLATION NOTES

### BT8380-SHB MAX LOAD CONFIGURATIONS

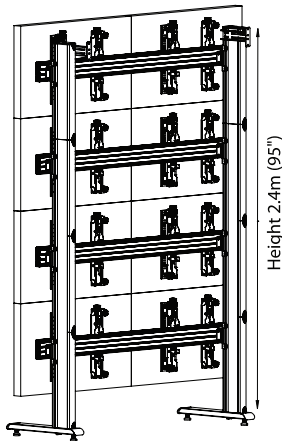
Screen weight must be evenly spread up the vertical column.

**BT8380-WTB** (Wall Tie-Back) can be used on each column, but it is not mandatory to do so.

**Note:** Castors can not be used.

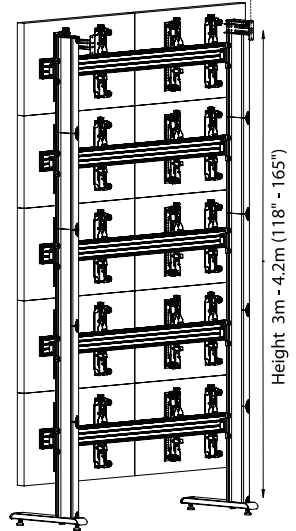


- Column height: Up to 1.8m (70")
- Max screen weight: 50kg (110lbs) per screen
- Max load per column: 200kg (440lbs)
- No BT8380-WTB needed



- Column height: Up to 2.4m (95")
- Max screen weight: 50kg (110lbs) per screen
- Max load per column: 200kg (440lbs)
- Must use BT8380-WTB\*

\*Screens can only be mounted when wall tie back is fixed in place.

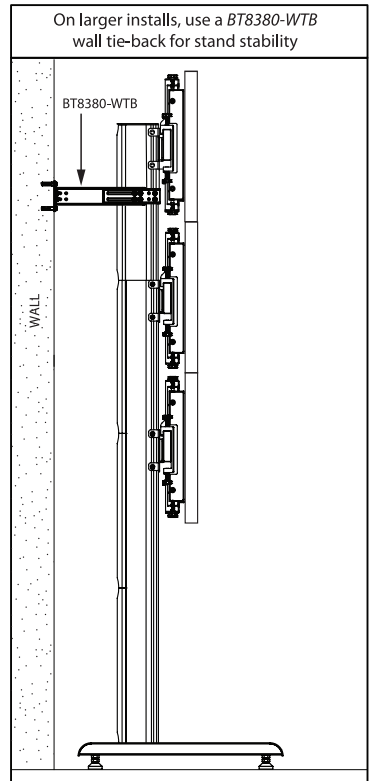
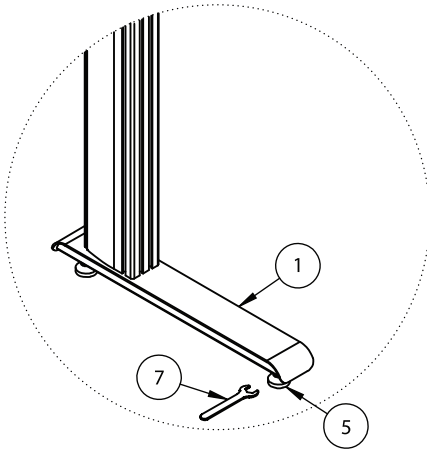
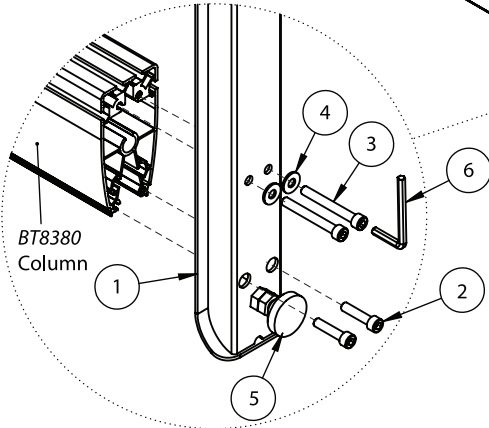
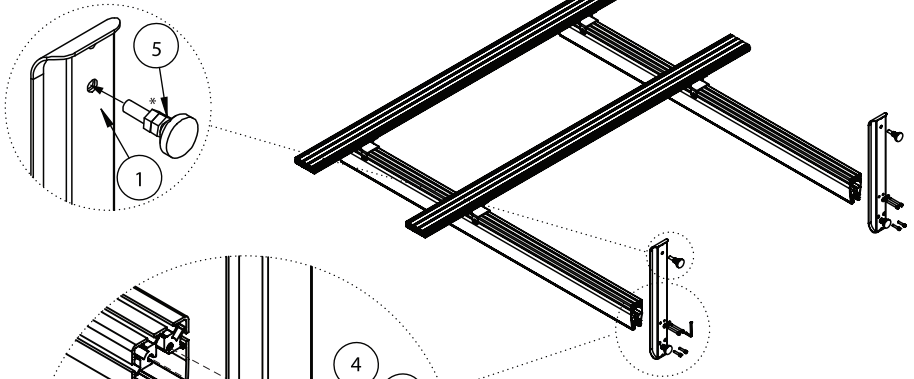


- Column height: Up to 4.2m (165")
- Max screen weight: 25kg (55lbs) per screen
- Max load per column: 150kg (330lbs)
- Must use BT8380-WTB\*

\*Screens can only be mounted when wall tie back is fixed in place.

# INSTALLATION INSTRUCTIONS

## SYSTEM X FLOOR STAND & COLUMN ASSEMBLY



Adjust feet on uneven surfaces

\*Optional - Remove the extra nut on the feet for a lower profile install  
Note: Short floor base is not suitable for use with castors



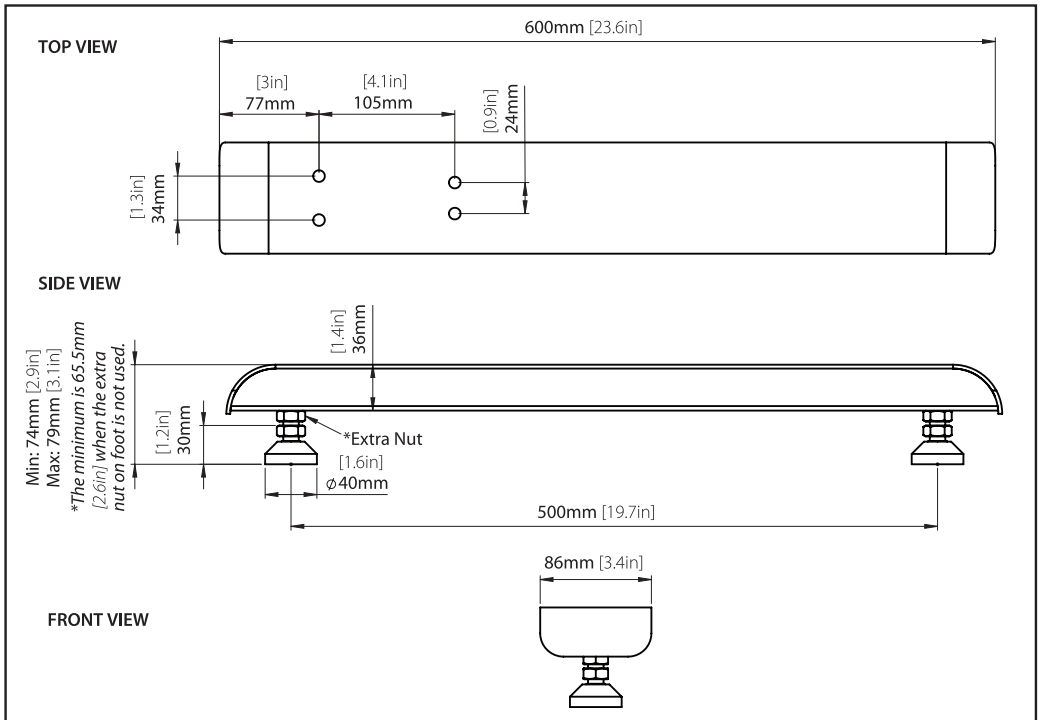
B-TECH AV MOUNTS

# BT8380-SHB

## SHORT BASE



# PRODUCT DIMENSIONS



**CONTACT:**  
[info@btechavmounts.com](mailto:info@btechavmounts.com)

©2023 B-Tech International Design & Manufacturing Ltd. All rights reserved.  
 B-Tech AV Mounts is a division of B-Tech International Design & Manufacturing Ltd.  
 B-Tech AV Mounts and the B-Tech logo are registered trade marks.  
 All other brands and product names are trademarks of their respective owners.  
 Photographs are for illustrative purposes only. E&OE.

AMA-BT8380-SHB-V1.1-0429-129 MADE IN VIETNAM

