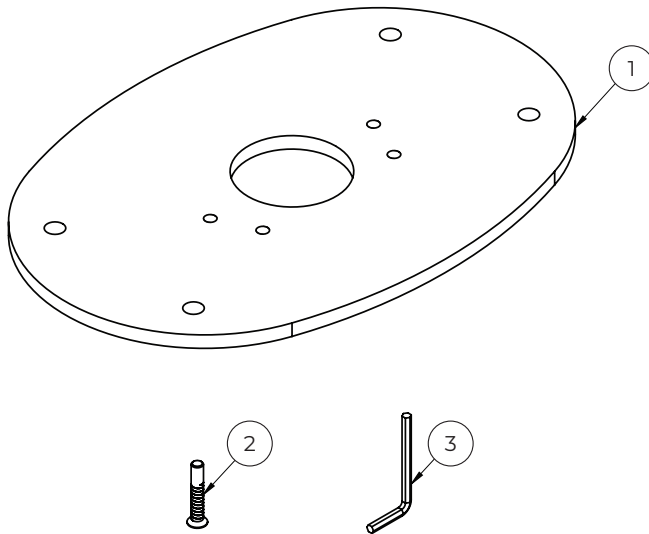




Bolt-Down Base

Use With A BT8385 Column

Installation Guide



Item	Description	Qty
1	Base	1
2	M6 x 35mm CSK Hex Screw	4
3	5AF Hex Key	1

Designed to work in conjunction with B-Tech's Model-AL range

Installation Safety Instructions



Caution: This mount is intended for use only with the maximum weights indicated. Use with equipment heavier than the maximum indicated may result in instability causing possible injury.

B-Tech AV Mounts, its distributors and dealers are not responsible for damage or injury caused by improper installation, improper use, modifications, installations over the specified weight capacity and/or failure to observe these safety instructions. In such cases, any warranty will expire.

It is recommended that this product should only be installed by a qualified professional / installer.

B-Tech AV Mounts does not claim any liability for any difficulties that may arise from the interpretation contained in these instructions. Failure to mount this product correctly may lead to serious injury and/or death.

Please check carefully to make sure there are no missing or defective parts - defective parts must never be used.

In the event of missing and/or defective parts, or technical questions, please contact an authorised dealer.

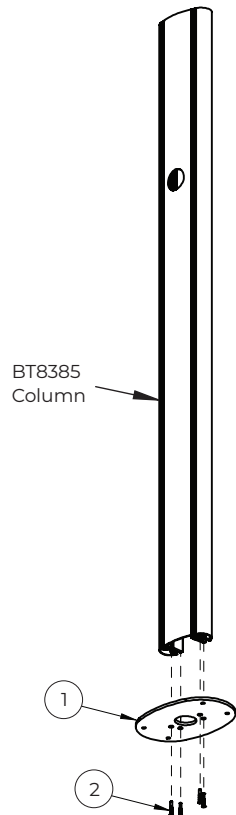
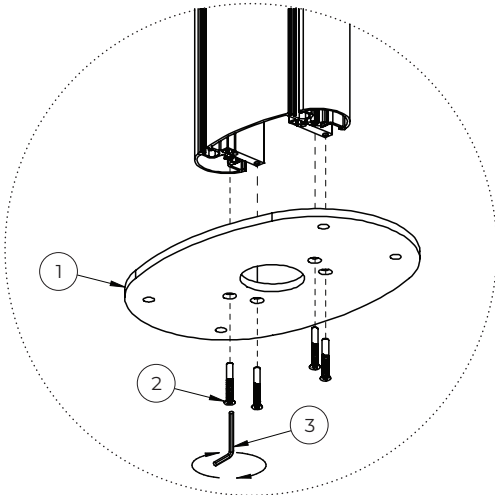
Pay careful attention to where this product is located, some locations are not suitable for installation. For indoor use only. It is recommended that periodic inspections of the product are made as frequently as possible to ensure that safety is maintained.

Please keep these instructions for future reference.

Installation Instructions

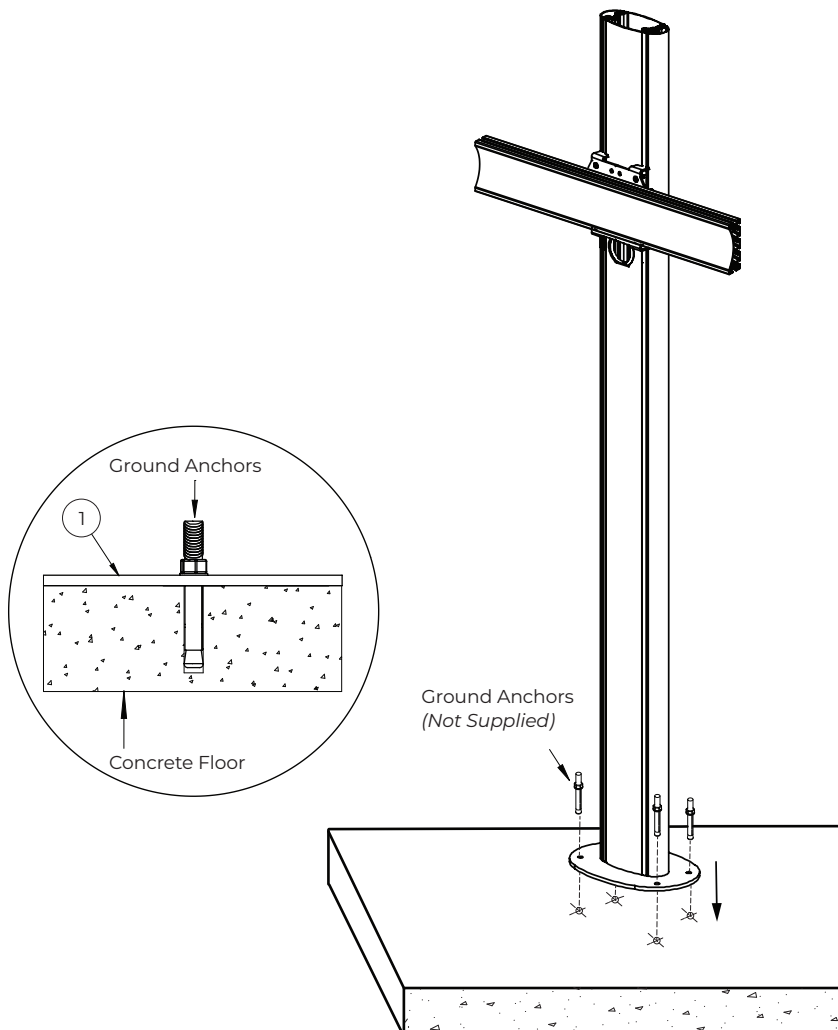
1. Attach Column To Base

Fix item 1 to column using item 2.



2. Bolt Stand To The Floor

Pre-drill holes in floor and using suitable ground anchor fixings (*not supplied*), fix stand to floor.

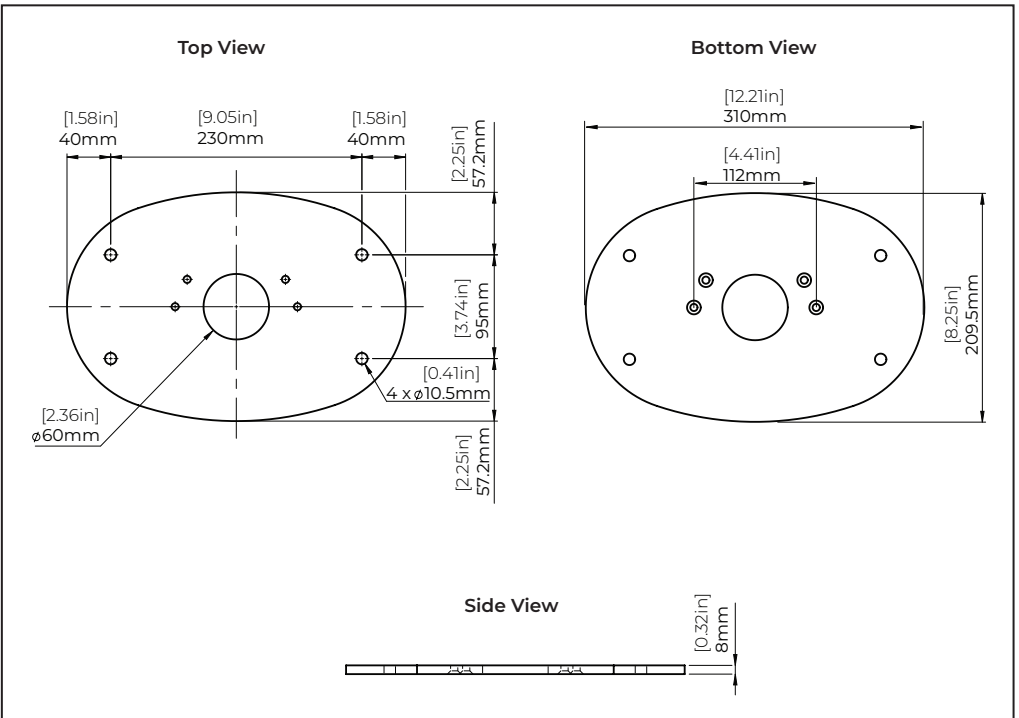




Bolt-Down Base

Use With A BT8385 Column

Dimensions



Contact: info@btechavmounts.com

©2024 B-Tech AV Mounts Corporation Ltd. All rights reserved.

B-Tech AV Mounts is a division of B-Tech AV Mounts Corporation Ltd.
B-Tech AV Mounts and the B-Tech logo are registered trademarks.
All B-Tech images and symbols are exclusive property of B-Tech AV Mounts Corporation Ltd.
All other brands and product names are trademarks of their respective owners.
Any reproduction, retransmission or republication of any part of this manual is strictly prohibited,
unless prior written permission has been granted by B-Tech AV Mounts Corporation Ltd.
Photographs are for illustrative purposes only. E&OE

AMA-BT8385-BDB-V2-0424-110 Made in Vietnam

