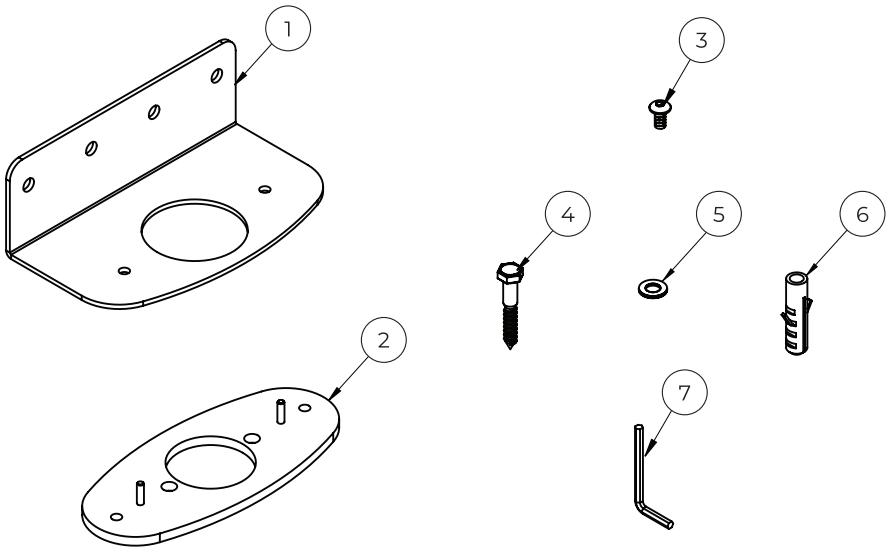




# Column-To-Wall Mounting Kit

Use With A BT8385 Column

## Installation Guide



Item	Description	Qty
1	Wall Plate	1
2	Base Plate	1
3	M6 x 12mm Screw	2
4	M8 x 50mm Coach Screw	4
5	N°10 x 50mm Wall Plug	4
6	M8 T1.5mm Metal Washer	4
7	5AF Hex Key	1

Designed to work in conjunction with B-Tech's Model-AL range

# Installation Safety Instructions



**Caution:** This mount is intended for use only with the maximum weights indicated. Use with equipment heavier than the maximum indicated may result in instability causing possible injury.

B-Tech AV Mounts, it's distributors and dealers are not responsible for damage or injury caused by improper installation, improper use, modifications, installations over the specified weight capacity and/or failure to observe these safety instructions. In such cases, any warranty will expire.

It is recommended that this product should only be installed by a qualified professional / installer.

B-Tech AV Mounts does not claim any liability for any difficulties that may arise from the interpretation contained in these instructions. Failure to mount this product correctly may lead to serious injury and/or death.

Please check carefully to make sure there are no missing or defective parts - defective parts must never be used.

In the event of missing and/or defective parts, or technical questions, please contact an authorised dealer.

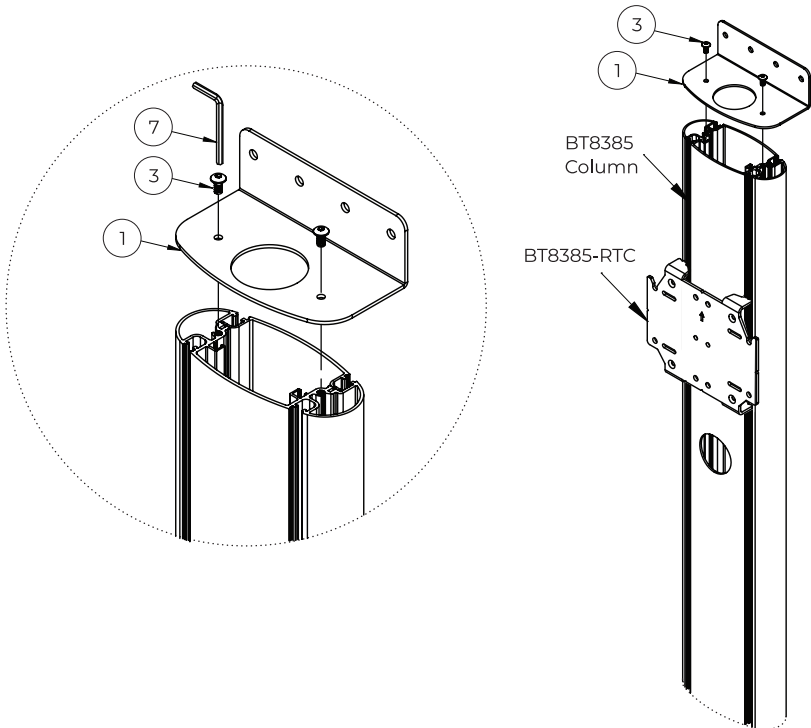
Pay careful attention to where this product is located, some locations are not suitable for installation. For indoor use only. It is recommended that periodic inspections of the product are made as frequently as possible to ensure that safety is maintained.

*Please keep these instructions for future reference.*

## Installation Instructions

### 1. Attach Wall Plate To Column

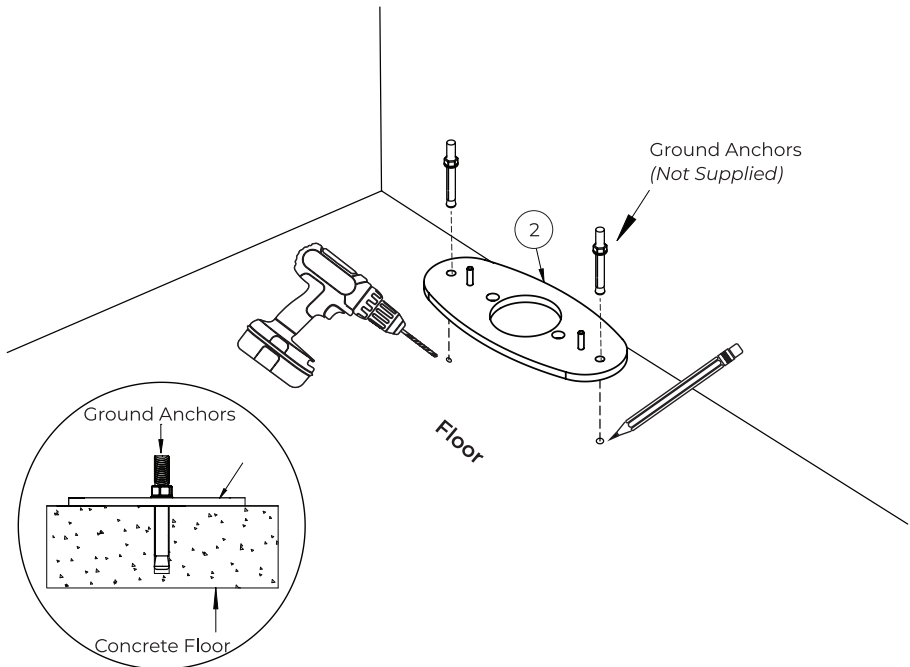
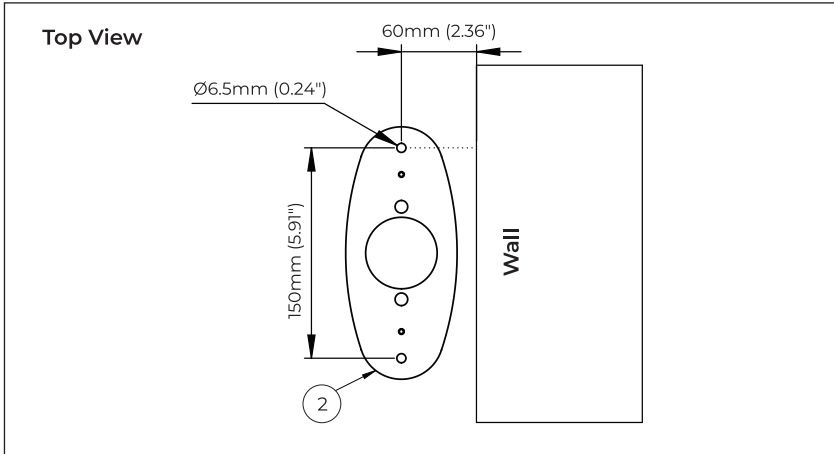
Attach *item 1* to the top of a BT8385 column using *item 3*.



## 2. Fix Floor Plate To Floor

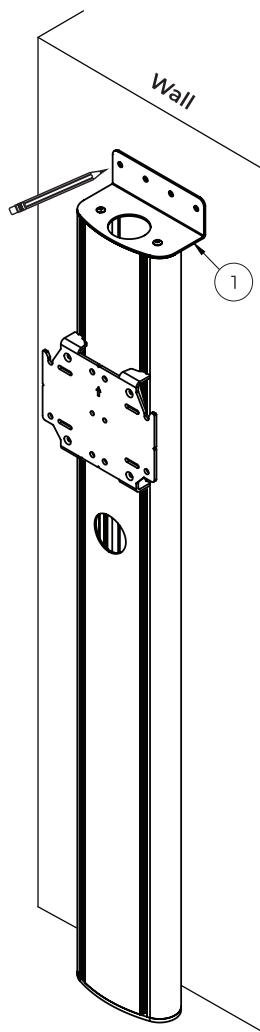
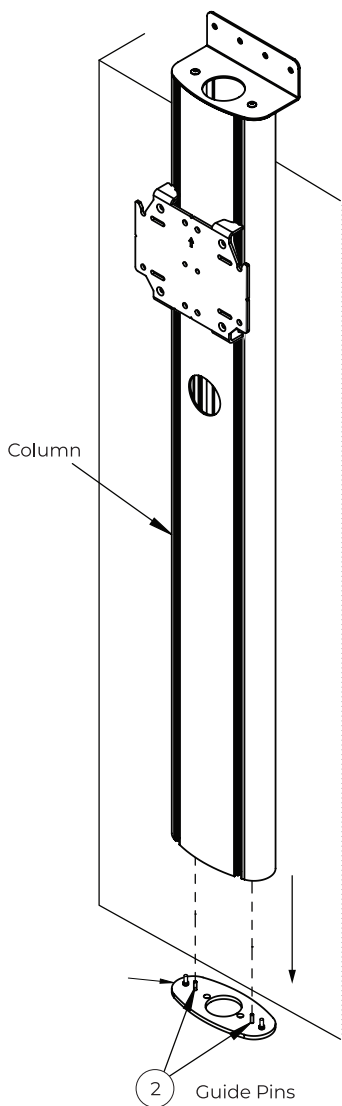
Fix *item 2* to floor (*fixings not included*).

**Note:** Fixing points are 60mm (2.36") away from wall.



### 3. Mark Wall Fixing Holes

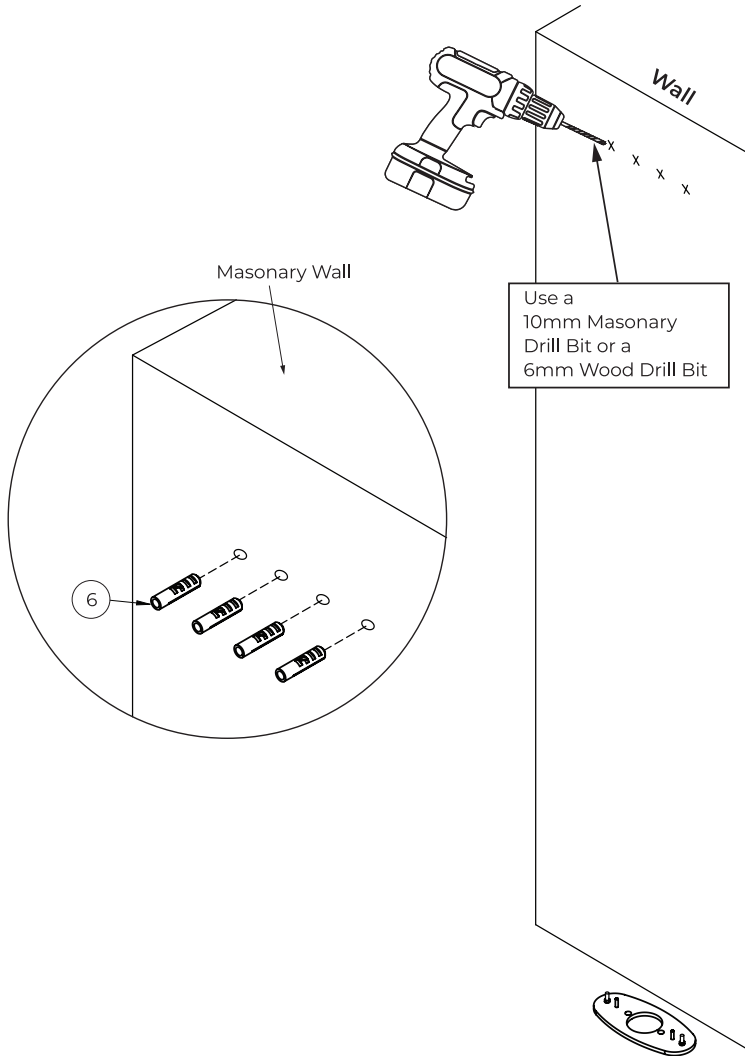
- i. Using the guide pins, place the column onto *item 2*.
- ii. Mark the 4 fixing holes from *item 1* onto the wall.



## 4. Drill Holes And Insert Wall Plugs

Remove column and drill marked holes.

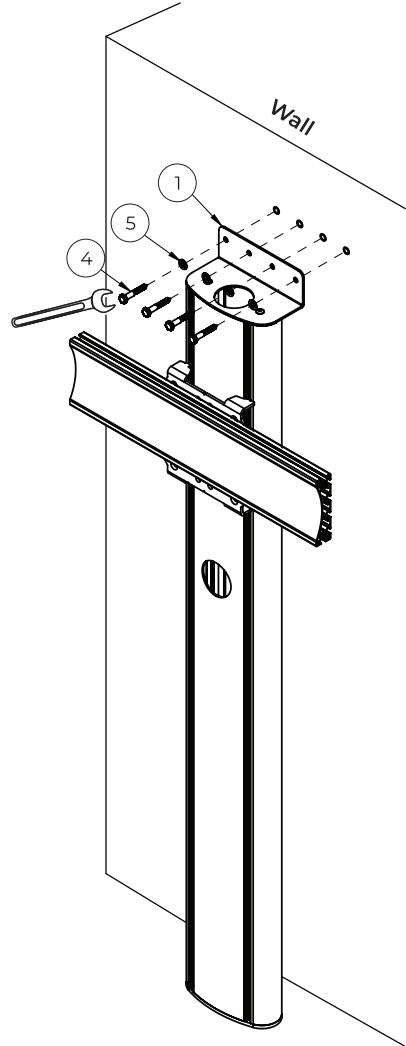
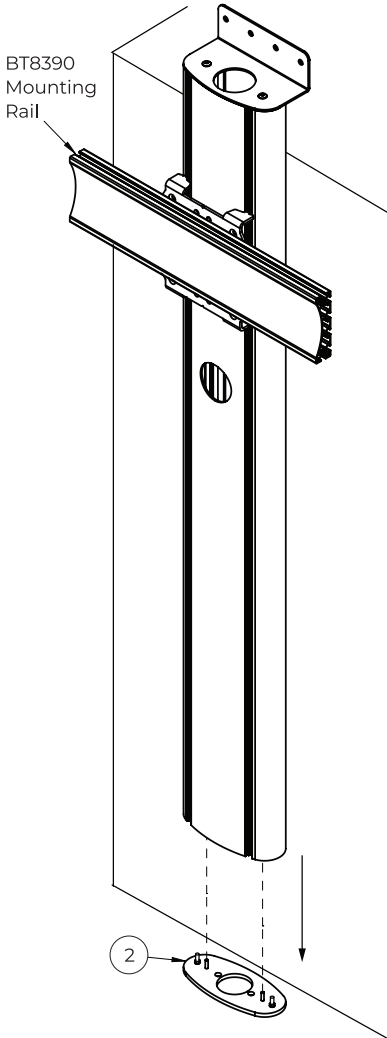
Insert 4 x *item 6* (Not required for stud/wood walls).



## 5. Fix Column To Wall

Place the column onto *item 2* and fix *item 1* to the wall using *items 4 & 5*.

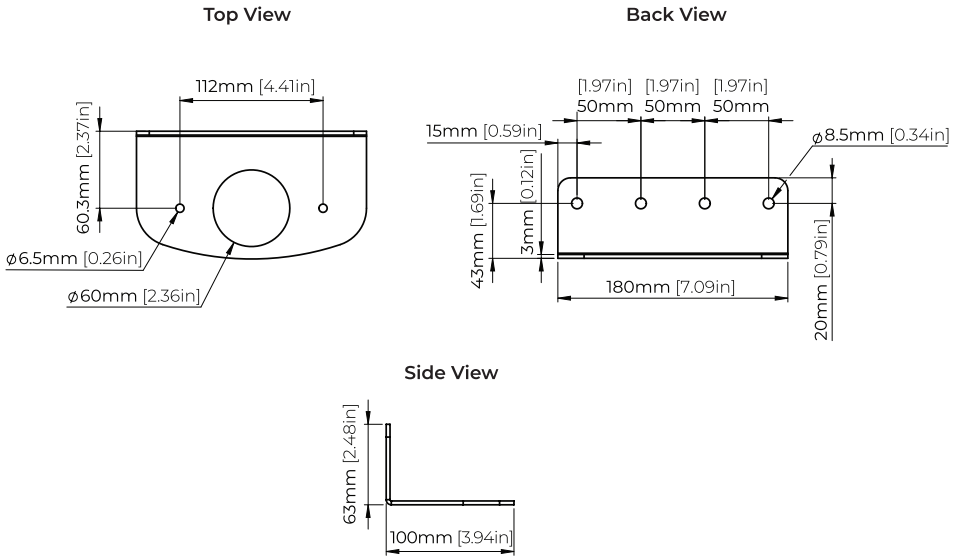
**Note:** For ease of installation, the mounting rail can be assembled to the rail mounting plate before fixing the column to the wall.



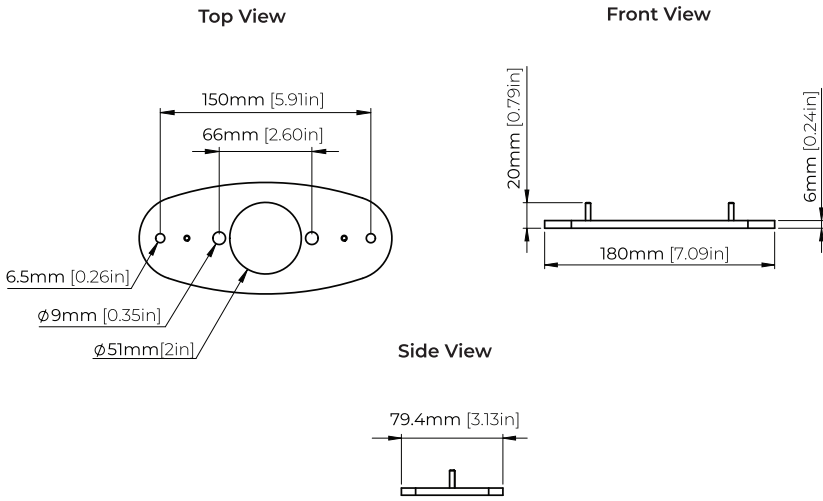
# BT8385-CTW Dimensions

Please keep this for future reference

## Wall Plate



## Base Plate



These instructions are intended as a guide only and B-Tech accepts no liability for the accuracy of the information contained in this document.

**Contact:** [info@btechavmounts.com](mailto:info@btechavmounts.com)

©2024 B-Tech AV Mounts Corporation Ltd. All rights reserved.

B-Tech AV Mounts is a division of B-Tech AV Mounts Corporation Ltd.

B-Tech AV Mounts and the B-Tech logo are registered trademarks.

All B-Tech images and symbols are exclusive property of B-Tech AV Mounts Corporation Ltd.

All other brands and product names are trademarks of their respective owners.

Any reproduction, retransmission or republication of any part of this manual is strictly prohibited,

unless prior written permission has been granted by B-Tech AV Mounts Corporation Ltd.

Photographs are for illustrative purposes only. E&OE

AMA-BT8385-CTW-V2-0424-110 Made in Vietnam

