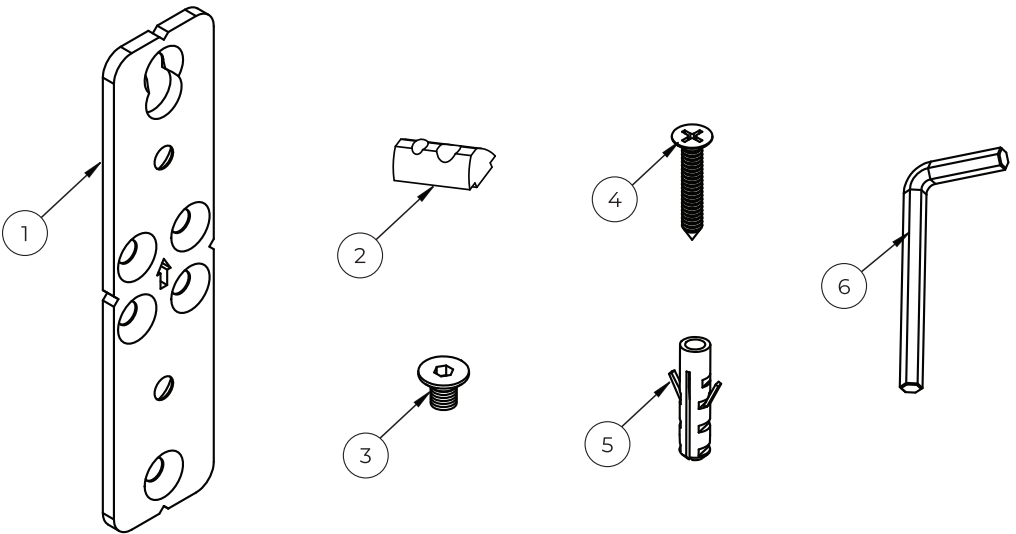


Rail Mounting Bracket

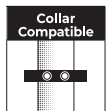
Use With BT8390 Mounting Rails

Installation Guide



Item	Description	Qty
1	Wall Fixing Plate	1
2	M8 Sliding Nut	2
3	M8 x 12mm CSK Screw	6
4	ST8 x 45mm CSK Wood Screw	2
5	N°.10 Wall Plug	2
6	5AF Hex Key	1

Designed to work in conjunction with B-Tech's System X range



Installation Safety Instructions



Caution: This mount is intended for use only with the maximum weights indicated. Use with equipment heavier than the maximum indicated may result in instability causing possible injury.

B-Tech AV Mounts, it's distributors and dealers are not responsible for damage or injury caused by improper installation, improper use, modifications, installations over the specified weight capacity and/or failure to observe these safety instructions. In such cases, any warranty will expire.

It is recommended that this product should only be installed by a qualified professional / installer.

B-Tech AV Mounts does not claim any liability for any difficulties that may arise from the interpretation contained in these instructions. Failure to mount this product correctly may lead to serious injury and/or death.

Please check carefully to make sure there are no missing or defective parts - defective parts must never be used.

In the event of missing and/or defective parts, or technical questions, please contact an authorised dealer.

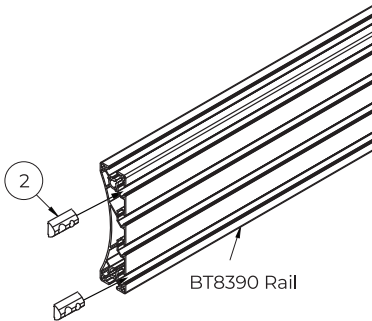
Pay careful attention to where this product is located, some locations are not suitable for installation. For indoor use only. It is recommended that periodic inspections of the product are made as frequently as possible to ensure that safety is maintained.

Please keep these instructions for future reference.

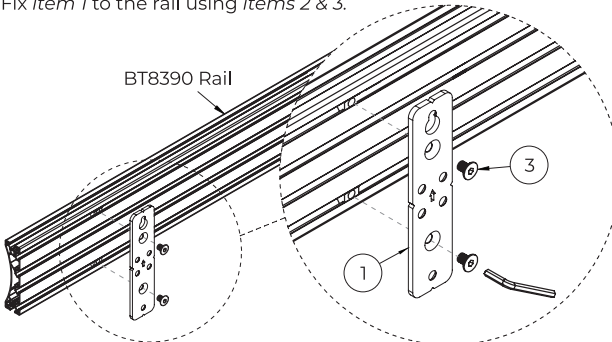
Installation Instructions

1. Attach The Wall Plate To A Mounting Rail

- i. Insert *item 2* into the top and bottom channels of a BT8390 rail.



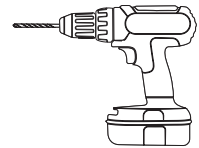
- ii. Fix *item 1* to the rail using *items 2 & 3*.



Installation Tools Required

Drill

10mm (7/16") masonry bit
or 4mm (5/32") wood bit



Pencil



Screwdriver



Quantity of brackets required per rail length (landscape installs):*

Rail Length	Qty
0 - 2000mm (0'-79")	2pcs
2001 - 3500mm (80"-139")	3pcs
3501 - 5500mm (140"-219")	4pcs
5501 - 7750mm (220"-305")	5pcs
7751 - 8500mm (306"-335")	6pcs

*Use B-Tech's online configuration tool to automatically calculate the quantity required based on your configuration.

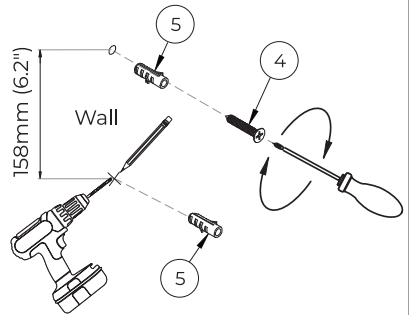
2. Fixing Rail Mounting Bracket To The Wall

Keyhole mounting

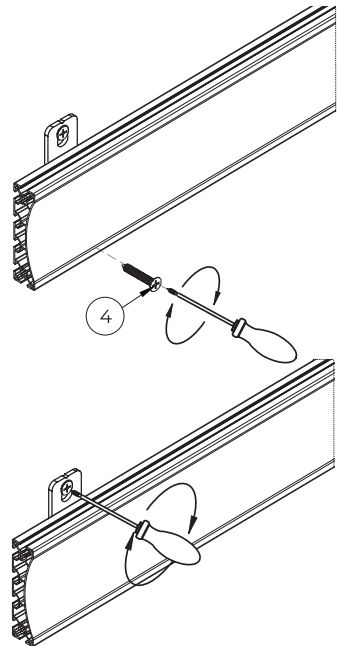
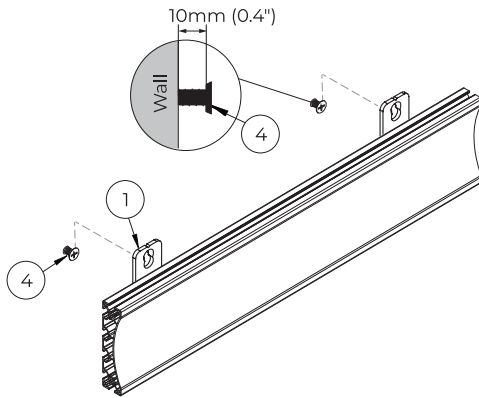
- Mark and drill two fixing holes for each wall plate assembled. Insert *item 5** and *item 4* into the top holes.

Note: Do not fully tighten *item 4*, allow a gap (approx. 10mm) to hook on *item 1*.

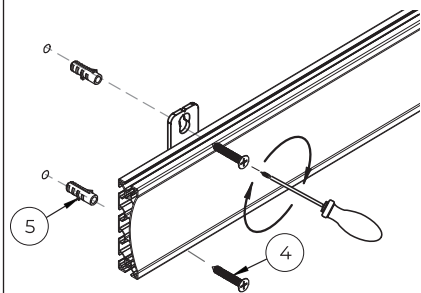
- Hook rail onto *item 4* using the keyhole fixings on *item 1*.
- Once the rail is hooked on, screw *item 4* into the bottom holes of *item 1* and tighten all fixings.



* *Item 5* not required for wooden stud walls

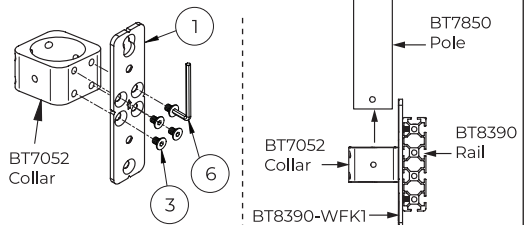


Standard wall mounting



Pole mounting

Fix *item 1* to a B-Tech collar using *item 3* before attaching the rail and sliding onto a pole.

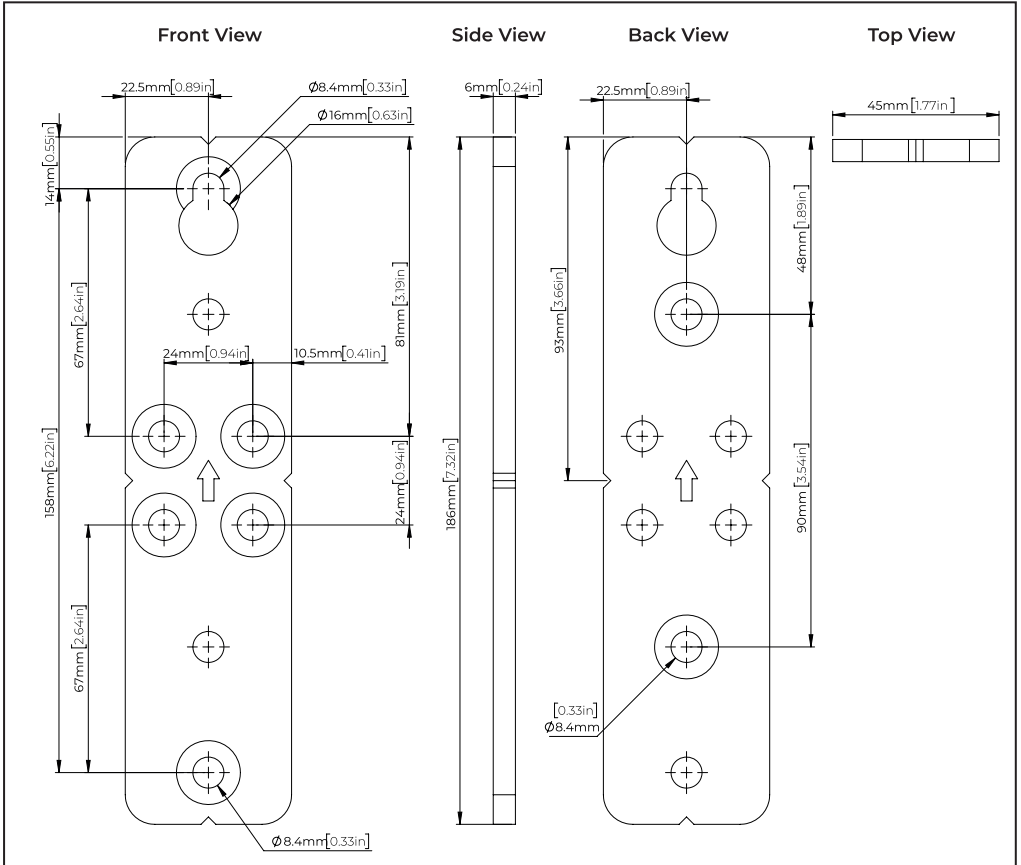
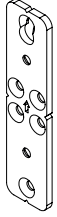


Note: Ensure the grub screws on the collar are positioned on the back.

Rail Mounting Bracket

Use With BT8390 Mounting Rails

Dimensions



Contact: info@btechavmounts.com

©2024 B-Tech AV Mounts Corporation Ltd. All rights reserved.

B-Tech AV Mounts is a division of B-Tech AV Mounts Corporation Ltd.
B-Tech AV Mounts and the B-Tech logo are registered trademarks.
All B-Tech images and symbols are exclusive property of B-Tech AV Mounts Corporation Ltd.
All other brands and product names are trademarks of their respective owners.
Any reproduction, retransmission or republication of any part of this manual is strictly prohibited,
unless prior written permission has been granted by B-Tech AV Mounts Corporation Ltd.
Photographs are for illustrative purposes only. E&OE

AMA-BT8390-WFK1-V3-0124-129 Made in Vietnam

