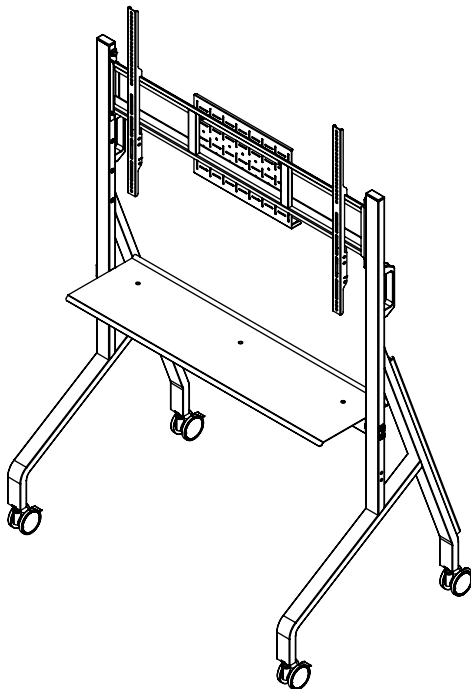


Interactive Flat Screen Trolley

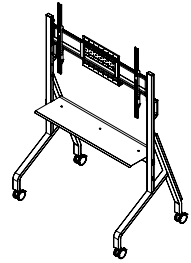
Installation Guide



- Max load: 76kg (168lbs)
- Recommended screen size: 55" - 86"
- Fits screens with VESA® mounting patterns from 100 x 100mm up to 900 x 600mm
- Non-marking locking / braked castors included
- Integrated cable management
- Media equipment storage tray included
- Features large AV shelf: 995 x 271mm (39" x 10.66")
- Manual screen height adjustment: 1060 - 1360mm (41.75" x 53.5")
- Trolley dimensions: **H.1500mm W.1100mm D.660mm**
(**H.59" W.43.3" D.26"**)

| Recommended Max Screen | Max Load | Max VESA | Post Install Alignment |
|------------------------|------------------|-----------------|------------------------|
| 86" 218cm | 76kg [168lbs] | 900 x 600 | ← → |

| | |
|---------------------------|----|
| Installation Safety Notes | 2 |
| Parts List | 4 |
| Installation Instructions | 6 |
| Product Dimensions | 11 |
| B-Tech Contact Details | 12 |



Installation Safety Instructions



Caution: This mount is intended for use only with the maximum weights indicated. Use with equipment heavier than the maximum indicated may result in instability causing possible injury.

Do not attempt to install this product until all instructions and warnings have been read and properly understood. *Please keep these instructions for future reference.*

Please check carefully to make sure there are no missing or defective parts - defective parts must never be used. B-Tech AV Mounts, its distributors and dealers are not liable or responsible for damage or injury caused by improper installation, improper use or failure to observe these safety instructions. In such cases, all guarantees will expire.

General

B-Tech AV Mounts recommends that a professional AV installer or other suitably qualified person install this product. Great care must always be taken during installation as most AV equipment is of a fragile nature, possibly heavy and easily damaged if dropped. If you do not fully understand the instructions or are not sure how to install this product safely, then please consult a professional for advice and/or to install this product for you. Failure to mount this product correctly may cause serious injury or death both during installation and at any time thereafter. Do not mount any AV equipment that exceeds the specific weight limit of the product you are installing. This weight limit will be clearly stated on each product and its packaging and will vary from product to product.

Trolley Operation

Warning: The trolley can tip over which may lead to serious injury. Only adults should push this trolley, do not allow children under 16 to move the trolley. Push the trolley on the narrow side, never pull the trolley. Do not push at the top of the trolley, push near the middle. Move the trolley slowly. Always park on level ground, never leave the trolley on an incline. Apply the brakes when the trolley is stationary, release the brakes when pushing the trolley

Product location

Please pay careful attention to where this product is located, some locations are not suitable for installation. For indoor use only. Install stand on level ground. When verifying the stability of the structure, consider the following external factors: The strength of the floor, exposure to sudden and severe wind and danger arising from contact with people and / or objects (e.g. installations in passageways, emergency exits), if located in a public or frequently populated area ensure that the product is out of the immediate reach of people.

Fixing hardware

It is highly recommended that all fixing screws be used where supplied and that the purpose of all other fixing hardware is fully understood. In some cases more AV equipment fixing hardware will be supplied to accommodate different models of equipment and set up configurations. The installer must be satisfied that any supplied fixing hardware is suitable for each specific installation. The fixing kit supplied with the product may not be suitable for all walls. If any fixing screws or included hardware are deemed not sufficient for a safe installation then please consult a professional or your local hardware store.

Hazard limitation

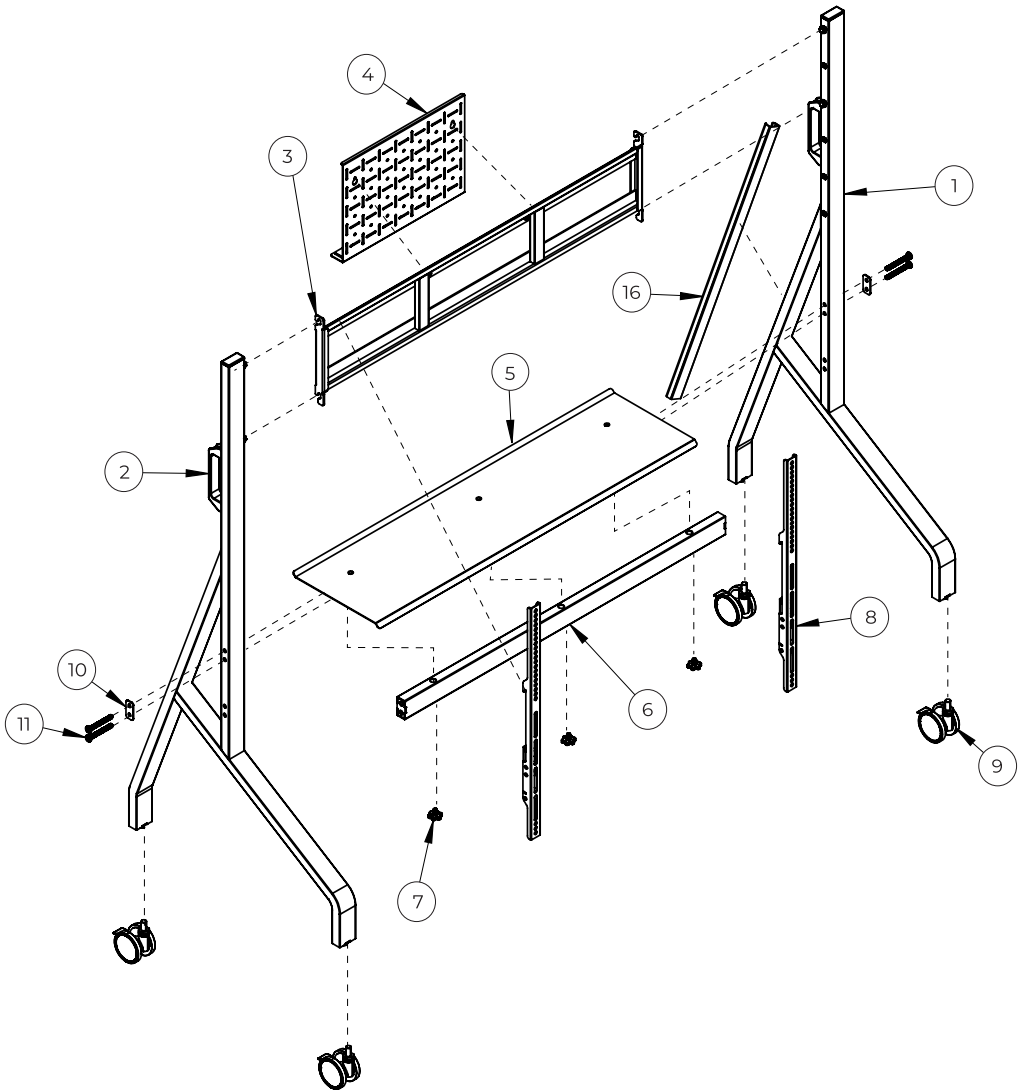
When routing cables take advantage of any built in cable management features that the product might provide and ensure that all cables are tidy and secure. Check to see that any moving aspect of the product can do so unhindered by any cabling. Some products have moving parts and the potential to cause injury through the crushing or trapping of fingers or other body parts. Particular attention to the nature of moving parts is required especially when assembling installing and adjusting during set up. Immediately after installation double-check that the work done is safe and secure. Double-check all necessary fixings are present and are of ample tightness. It is recommended that periodic inspections of the product and its fixing points are made as frequently as possible (no more than 6 months apart) to ensure that safety is maintained. If in doubt consult a professional AV installer or other suitably qualified person.

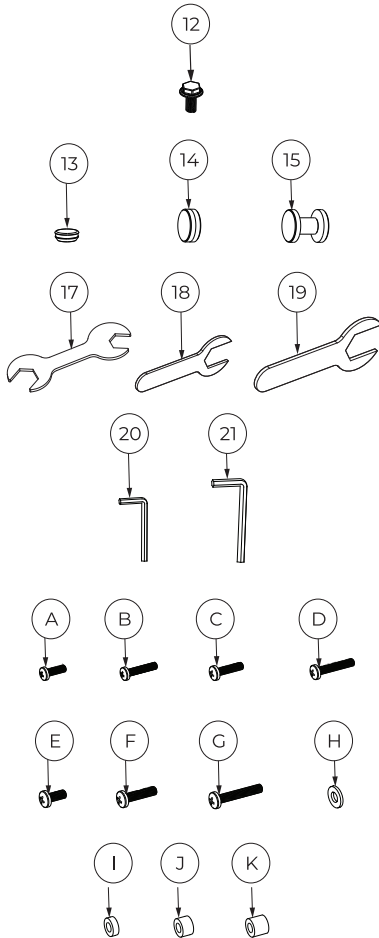
- CN B-Tech AV Mounts 建议本产品由专业AV安装人员或其他合格人员安装。B-Tech AV Mounts 及它的代理商、经销商不对由于不恰当的安装而造成的损失或伤害负责。本产品必须安装在合适的架构上，并仅用于不超过所标示的最大承重。
- CS Společnost B-Tech AV Mounts doporučuje provést instalaci tohoto produktu instalátora AV či jinak způsobilé osoby. Společnost B-Tech AV Mounts, její distributoři a prodejci nenesou prostřednictvím odborného odpov. osob. žádnou odpovědnost za škody nebo zranění způsobená nevhodnou instalací. Tento výrobek je nutno umístit do vhodné konstrukce a používat jen po uvedené maximální výšce.
- DE B-Tech AV Mounts empfiehlt, dass dieses Produkt durch einen qualifizierten AV-Techniker oder eine andere Person mit geeigneter Qualifikation installiert wird. B-Tech AV Mounts, ihre Distributoren und Händler können nicht für durch fehlerhafte Montage verursachte Beschädigung oder Verletzung haftbar bzw. verantwortlich gemacht werden. Dieses Produkt muss auf einem geeigneten Untergrund montiert werden und darf nur bis zum angegebenen Höchstgewicht verwendet werden.
- EN B-Tech AV Mounts recommends that this product be installed by a qualified AV technician or other suitably qualified person. B-Tech AV Mounts, its distributors and dealers are not liable or responsible for damage or injury caused by improper installation, improper use or failure to observe these safety instructions. In such cases, all guarantees will expire. This product must be mounted on a suitable surface and may only be used up to the specified maximum weight.
- ES B-Tech AV Mounts recomienda que un instalador de audio y video profesional u otra persona debidamente cualificada instalen este producto. B-Tech AV Mounts, sus distribuidores y concesionarios no se hacen cargo ni se responsabilizan de ningún daño o lesión provocados por una instalación inapropiada. Este producto se debe montar en una estructura adecuada y se debe utilizar soportando solamente hasta el peso máximo indicado.
- FR B-Tech AV Mounts recommande de confier l'installation de ce produit à un installateur AV professionnel ou à une autre personne dûment qualifiée. B-Tech AV Mounts, ses distributeurs et ses revendeurs ne sauraient être tenus responsables de tout dégât ou de toute blessure résultant d'une installation incorrecte. Ce produit doit être monté sur un support approprié et utilisé dans la limite du poids maximum indiqué.
- IT B-Tech AV Mounts consiglia di affidare l'installazione di questo prodotto a un installatore specializzato o ad altra persona adeguatamente qualificata. B-Tech AV Mounts, i suoi distributori e rivenditori non accettano alcuna responsabilità nei riguardi di eventuali danni o infortuni causati da un'errata installazione. Questo prodotto deve essere fissato a una struttura idonea e utilizzato unicamente sino al peso massimo indicato.
- JP B-Tech AV Mounts はAV設置の専門家または適合した知識を備えた人が製品を設置することを推奨します。B-Tech AV Mountsと販売店、取引先はこうした安全指針に従わない場合に随伴される製品の損傷や傷害に対する責任を負いません。場合によって製品が設置されるに適していないところもあるので設置位置に特別な注意を傾けてください。この製品の位置に注意を傾けて設置に適していない壁があるかを確認してください。指定した重さ制限を超過するAV装備を装着しないでください。
- KR B-Tech AV Mounts 는 AV 설치 전문가 또는 적합한 지식을 갖춘 사람이 제품을 설치하도록 권장합니다. B-Tech AV Mounts 와 판매점, 거래처는 이러한 안전 지침을 따르지 않을 경우 수반될 제품의 손상이나 상해에 대한 책임을 지지 않습니다. 경우에 따라 제품이 설치되기에 적합하지 않은 곳들도 있으므로 설치 위치에 특별한 주의를 기울여 주시기 바랍니다. 제품의 설치 위치에 주의를 기울여 확인하십시오. 지정된 무게 제한을 초과하는 AV 장비를 장착하지 마십시오.
- NL B-Tech AV Mounts adviseert om dit product te laten installeren door een professionele AV-instalateur of andere hiervoor gekwalificeerde persoon. B-Tech AV Mounts, haar distributeurs en dealers zijn niet aansprakelijk of verantwoordelijk voor schade of letsel die is veroorzaakt door onoordeelkundige installatie. Dit product moet worden gemonteerd aan een geschikte constructie, waarbij het aangegeven maximum gewicht niet mag worden overschreden.
- PL Firma B-Tech AV Mounts zaleca, aby ten produkt był instalowany przez profesjonalnych instalatorów AV lub inny odpowiednio przeszkolony personel. Firma B-Tech AV Mounts, jej dystrybutorzy i dealerzy nie ponoszą odpowiedzialności za uszkodzenia lub obrażenia ciała powstałe w wyniku nieprawidłowej instalacji. Niniejszy produkt musi być amontowany na odpowiedniej powierzchni, a podczas użytkowania nie wolno przekraczać podanego maksymalnego obciążenia.
- PT A B-Tech AV Mounts recomenda que a instalação deste produto seja efectuada por um instalador de AV instalador de AV profissional ou outra pessoa devidamente habilitada. A B-Tech AV Mounts e os seus distribuidores e concessionários não são responsáveis por danos ou lesões causados por uma instalação incorrecta. Este produto tem de ser montado numa estrutura adequada e utilizado somente até ao peso máximo indicado.
- RU Компания B-Tech AV Mounts рекомендует, чтобы установка данного изделия производилась инженером по установке аудио-видеотехники или другим специалистом с соответствующей квалификацией. Компания B-Tech AV Mounts ее дистрибьюторы и дилеры не несут ответственности за повреждения или травмы, полученные в результате неправильной установки.

توصي بي-تلك للتجارة الدولية المحدودة بأن شخص محترف في تركيب ال AV أو شخص مؤهل تأهيلا مناسباً لتركيب هذا المنتج. بي-تلك للتجارة الدولية، موزع عليها والتجار ليست عرضة أو مسؤولة عن الأضرار أو الإصابات الناجمة عن تركيب غير سليم، والاستخدام غير السليم أو عدم مراعاة هذه التعليمات للسلامة. يجب أن يتم تركيب هذا المنتج في بنية مناسبة ويجب استخدامه فقط لدعم الحد الأقصى للوزن المشار إليه.

BT8530 Parts List


Please keep this for future reference






Installation Tools Required

Screwdriver



Level (Optional)



Suitable for loads up to 76kg (168lbs)

| Item | Description | Qty |
|-----------------------|------------------|-----|
| 1 | Left Base | 1 |
| 2 | Right Base | 1 |
| 3 | Mounting Plate | 1 |
| 4 | Hardware tray | 1 |
| 5 | Shelf | 1 |
| 6 | Crossbar | 1 |
| 7 | Thumbwheel | 3 |
| 8 | Interface Arms | 2 |
| 9 | Castor | 4 |
| 10 | Multi-Washer | 2 |
| 11 | M8 x 70mm Screw | 4 |
| 12 | M8 x 16mm Screw | 4 |
| 13 | Hole Cap | 3 |
| 14 | Small Stabiliser | 2 |
| 15 | Deep Stabiliser | 2 |
| 16 | Cable Cover | 1 |
| 17 | Spanner | 1 |
| 18 | 17mm Spanner | 1 |
| 19 | 19mm Spanner | 1 |
| 20 | 4AF Hex Key | 1 |
| 21 | 5AF Hex Key | 1 |
| Screen Fixings | | |
| A | M5 x 12mm Screw | 4 |
| B | M5 x 30mm Screw | 4 |
| C | M6 x 16mm Screw | 4 |
| D | M6 x 35mm Screw | 4 |
| E | M8 x 20mm Screw | 4 |
| F | M8 x 35mm Screw | 4 |
| G | M8 x 50mm Screw | 4 |
| H | M6 Washer | 4 |
| I | 5mm Spacer | 4 |
| J | 10mm Spacer | 4 |
| K | 14mm Spacer | 4 |

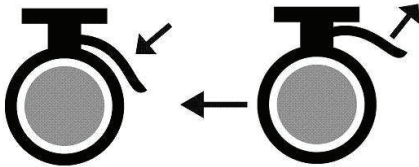


Warning

- Can tip over which may lead to serious injury
- Do not allow children under 16 to move the trolley
- Move the trolley slowly

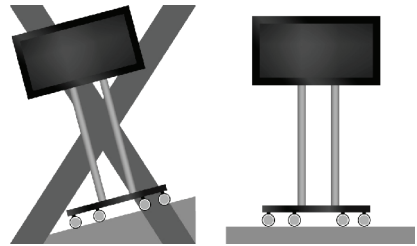
Apply the brakes when trolley is stationary.

Release brakes when pushing trolley.

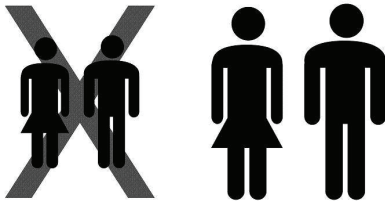


Never leave the trolley on an incline.

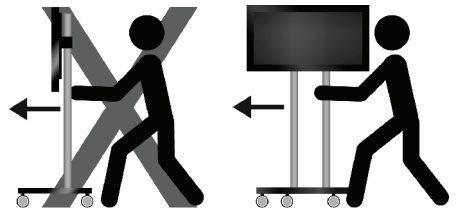
Always park on level ground.



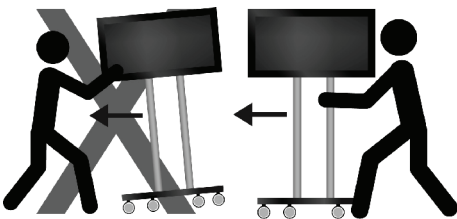
Only adults should push this trolley.



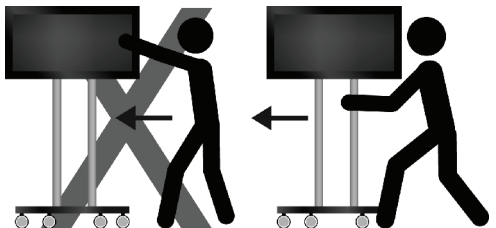
Push trolley on narrow side.



Never pull trolley.
Always push.



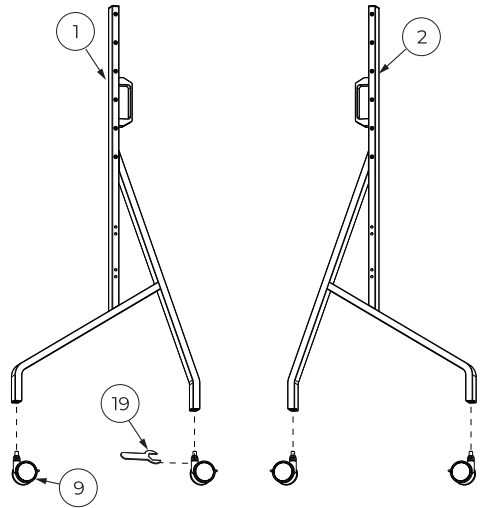
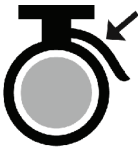
Do not push at top of trolley.
Always push near middle.



Installation Instructions

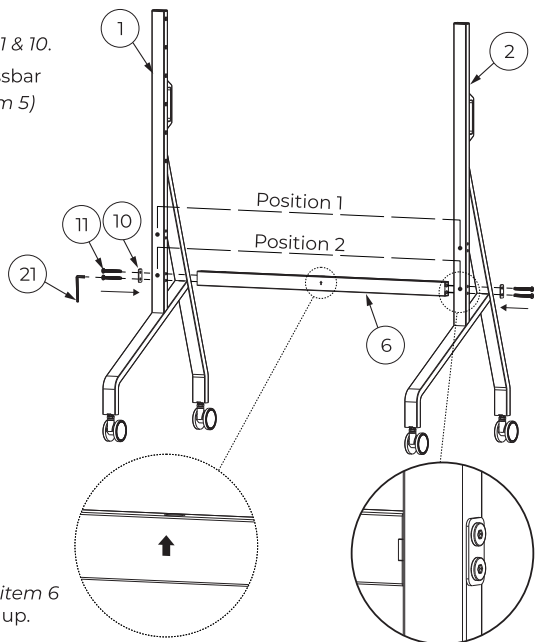
- 1. Fix Castors To Bases**
Attach *item 9* to *items 1 & 2*.

Lock Wheels
Prior To
Installation



- 2. Install The Crossbar**
Attach *item 6* to *items 1 & 2* using *items 11 & 10*.

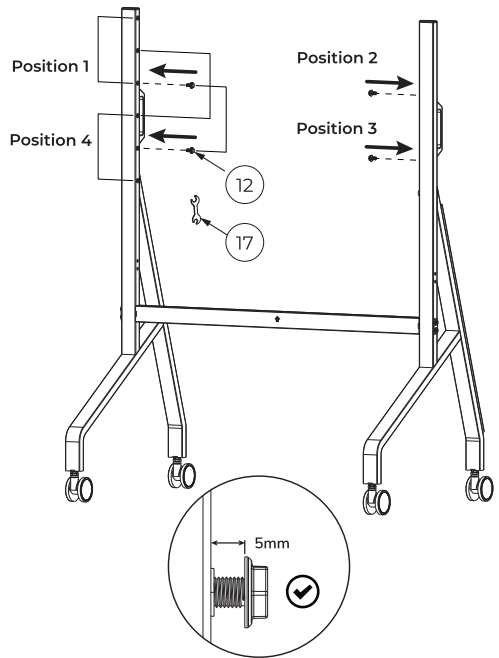
Note: There are 2 positions to fix the crossbar depending on what height the shelf (*item 5*) needs to be installed.



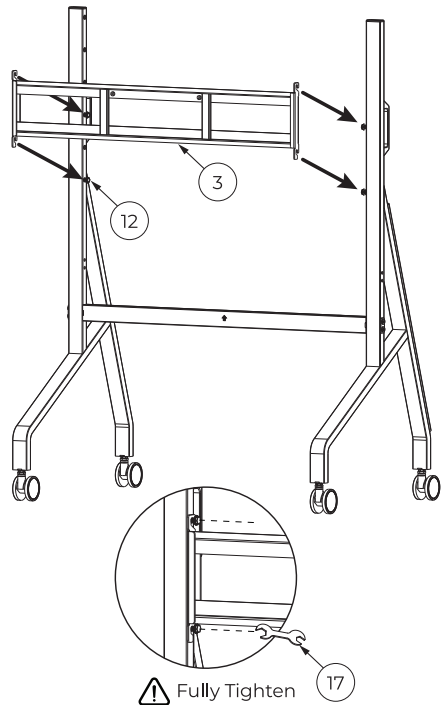
Note: Ensure to install *item 6* facing the correct way up.

3. Install Screen Mounting Plate

- i. Determine the screen height and insert *item 12* into *items 1 & 2* leaving a 5mm gap to hook on *item 3*.



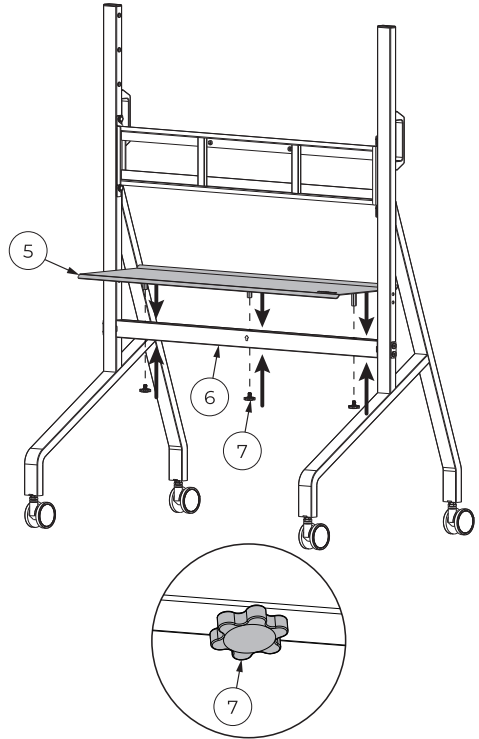
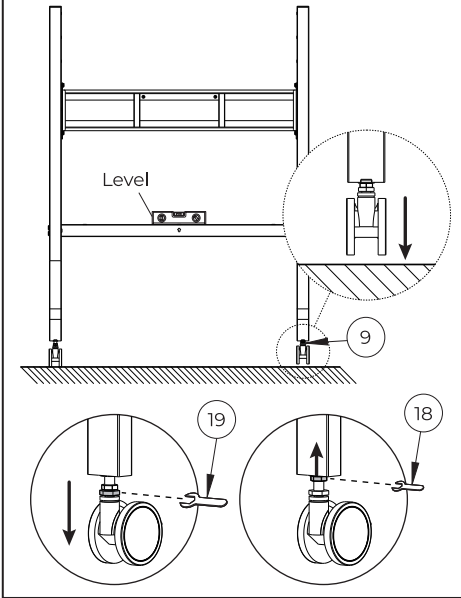
- ii. Hook *item 3* onto *item 12* and fully tighten *item 17*.



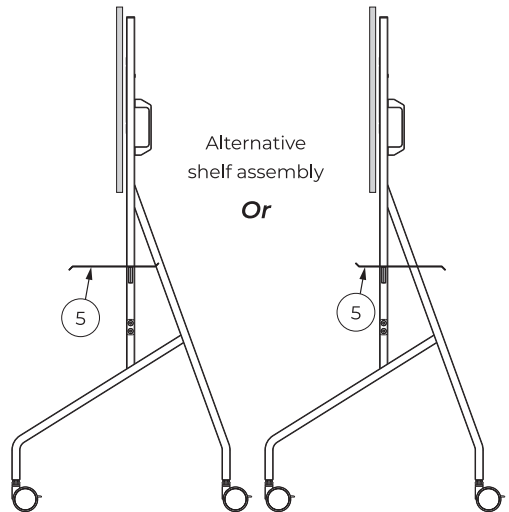
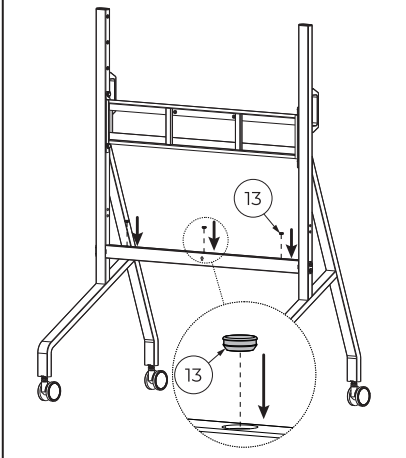
4. Attach Shelf To Trolley

Fix item 5 to item 6 using item 7.

Note: If necessary, adjust castors (item 9) up or down to ensure the trolley is level.



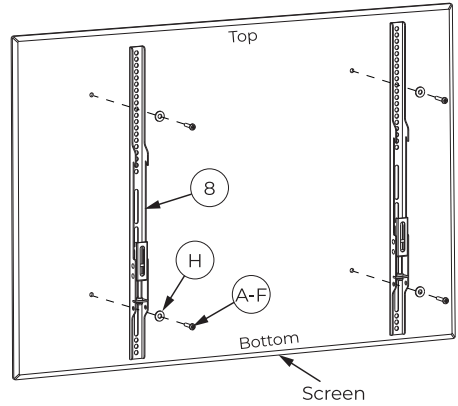
Optional: If shelf (item 5) is not installed use item 13 to cover fixing holes.



5. Fix Interface Arms To Screen

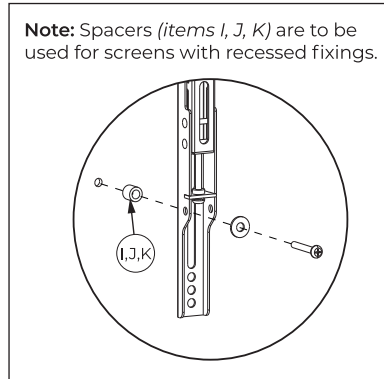
Fix *item 8* to the back of the screen using the screen fixings (*items A-K*).

Note: Ensure *items 8* are positioned the correct way round and the same holes are used on both arms.

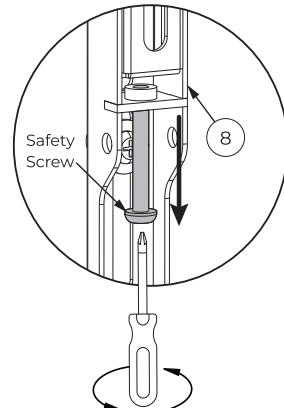


Note: Use *item H* with M5/M6 screws

Note: Spacers (*items I, J, K*) are to be used for screens with recessed fixings.



Fully loosen, but **Do Not remove** the safety screw on bottom of *item 8*.



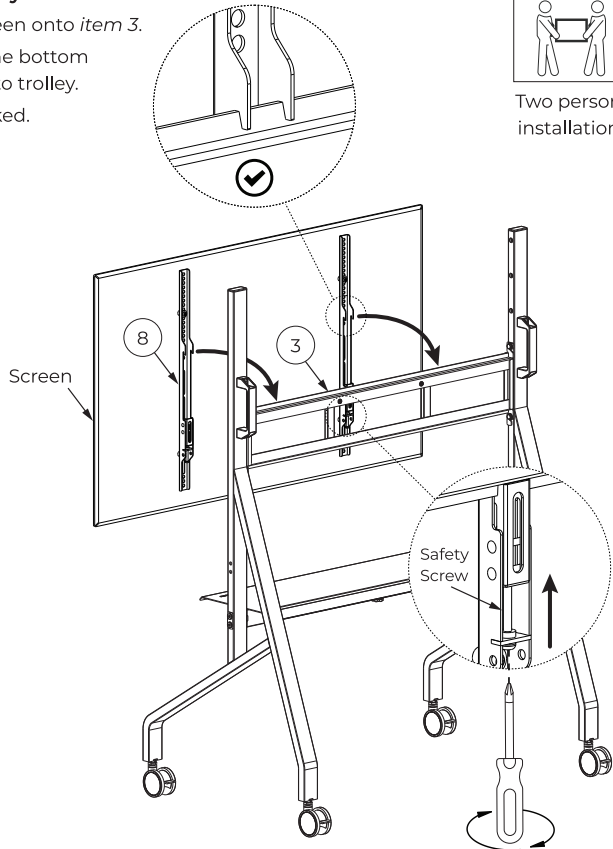
6. Mount Screen Onto Trolley

- i. Using *item 8*, hook the screen onto *item 3*.
- ii. Tighten safety screws on the bottom of *item 8* to secure screen to trolley.

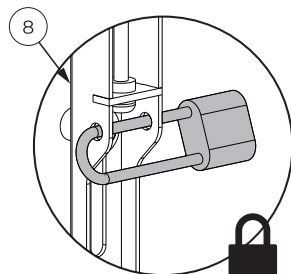
Note: Ensure castors are braked.



Two person
installation



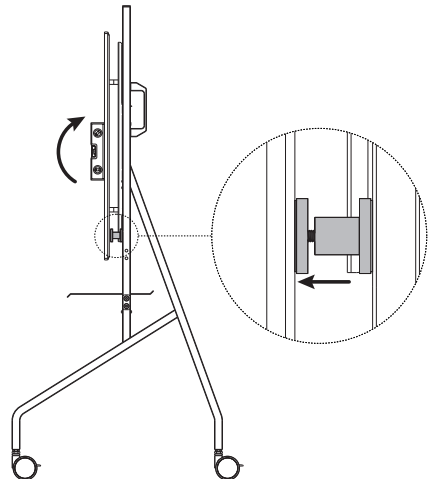
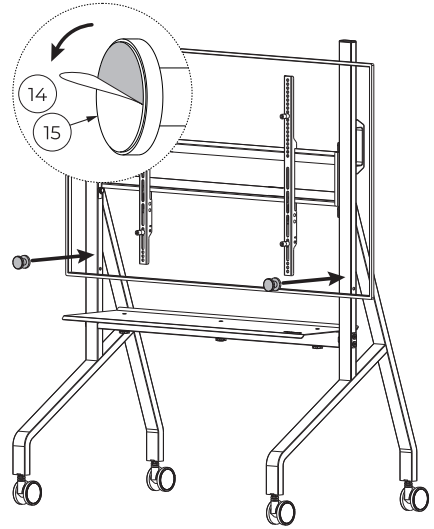
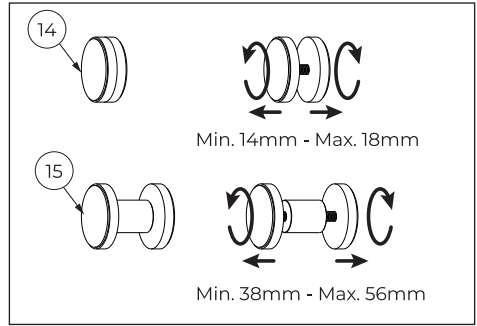
Optional: For extra security attach a padlock
(*not included*) through the bottom of *item 8*.



7. Optional Attach Screen Stabilisers

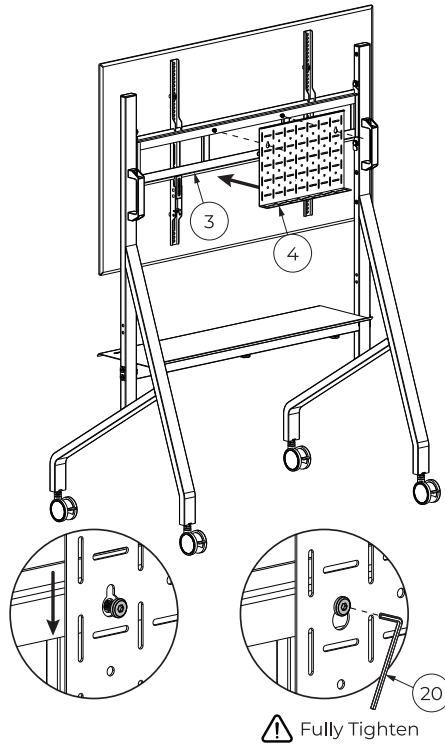
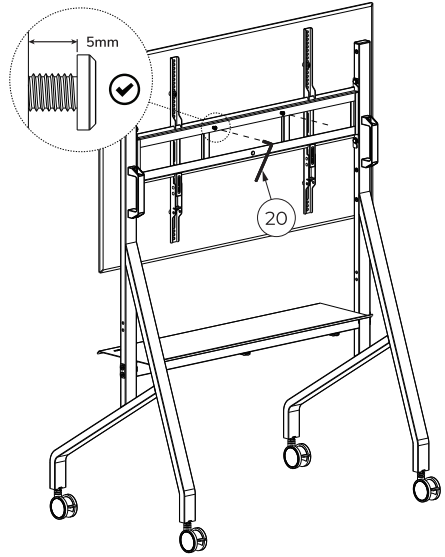
To minimise touch screen vibrations stick items 14 & 15 to items 1 & 2.

Note: Select the stabilisers according to the screen depth. Adjust the depth by screwing the stabilisers in or out.



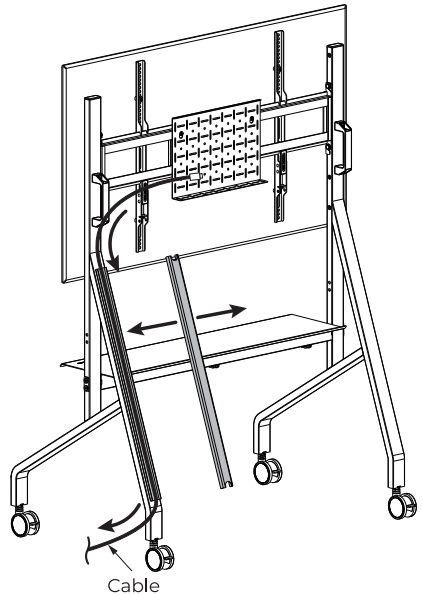
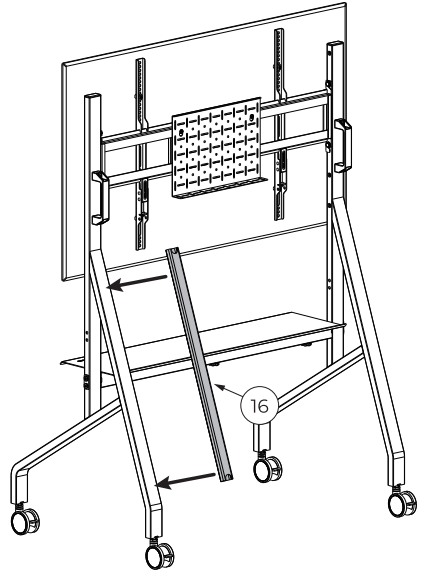
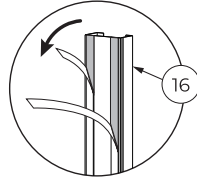
8. Fix AV Storage Tray

Using the keyholes, fit *item 4* onto the back of *item 3*.



9. Optional Cable Management

To tidy and cover any connecting cables stick *item 16* onto the back of *item 1* or *2*, remove cover and place cables inside.



BT8530

Contact: info@btechavmounts.com

©2023 B-Tech AV Mounts Co. Ltd. All rights reserved.

B-Tech AV Mounts is a division of B-Tech AV Mounts Co. Ltd.
B-Tech AV Mounts and the B-Tech logo are registered trademarks.
All B-Tech images and symbols are exclusive property of B-Tech AV Mounts Co. Ltd.
All other brands and product names are trademarks of their respective owners.
Any reproduction, retransmission or republication of any part of this manual is strictly prohibited, unless prior written permission has been granted by B-Tech AV Mounts Co. Ltd.
Photographs are for illustrative purposes only. E&OE

AMA-BT8530-V1-I223-137 Made in the P.R.C.

