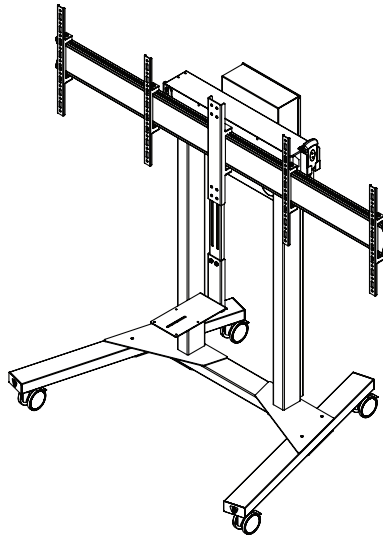


BT8554

momentum • e-lift duo

Motorised Height Adjustable Twin Screen VC Trolley

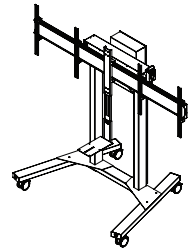
Installation Guide



- Designed to mount two screens side-by-side
- Recommended for screens from 39" up to 46"
- Max load: 25kg (55lbs) per screen
- Suitable for displays with VESA[®] & non-VESA fixings up to 400 x 400mm
- Motorised height adjustment range: 650mm (25.4")
- Features easy to use control panel and automatic safety stop function
- Includes media storage cradle and VC camera shelf
- Trolley dimensions:
W.1504mm H.1303mm - 1953mm D.833mm
(W.59.2" H.51.3" - 76.6" D.32.8")

Recommended Max Screen	Max Load Per Screen	Max VESA	Height Adjustment	Post Install Alignment
46" 116cm	25kg [55lbs]	400 x 400	↑ ↓	← →

Installation Safety Notes	2
Parts List	6
Installation Instructions	8
Troubleshooting	18
Product Dimensions	19
B-Tech Contact Details	20



Installation Safety Instructions



Caution: This mount is intended for use only with the maximum weights indicated. Use with equipment heavier than the maximum indicated may result in instability causing possible injury.

Do not attempt to install this product until all instructions and warnings have been read and properly understood. *Please keep these instructions for future reference.*

Please check carefully to make sure there are no missing or defective parts - defective parts must never be used. B-Tech AV Mounts, its distributors and dealers are not liable or responsible for damage or injury caused by improper installation, improper use or failure to observe these safety instructions. In such cases, all guarantees will expire.

General

B-Tech AV Mounts recommends that a professional AV installer or other suitably qualified person install this product. Great care must always be taken during installation as most AV equipment is of a fragile nature, possibly heavy and easily damaged if dropped. If you do not fully understand the instructions or are not sure how to install this product safely, then please consult a professional for advice and/or to install this product for you. Failure to mount this product correctly may cause serious injury or death both during installation and at any time thereafter. Do not mount any AV equipment that exceeds the specific weight limit of the product you are installing. This weight limit will be clearly stated on each product and its packaging and will vary from product to product.

Trolley Operation

Warning: The trolley can tip over which may lead to serious injury. Only adults should push this trolley, do not allow children under 16 to move the trolley. Push the trolley on the narrow side, never pull the trolley. Do not push at the top of the trolley, push near the middle. Move the trolley slowly. Always park on level ground, never leave the trolley on an incline. Apply the brakes when the trolley is stationary, release the brakes when pushing the trolley

Product location

Please pay careful attention to where this product is located, some locations are not suitable for installation. For indoor use only. Install stand on level ground. When verifying the stability of the structure, consider the following external factors: The strength of the floor, exposure to sudden and severe wind and danger arising from contact with people and / or objects (eg installations in passageways, emergency exits), if located in a public or frequently populated area ensure that the product is out of the immediate reach of people.

Fixing hardware

It is highly recommended that all fixing screws be used where supplied and that the purpose of all other fixing hardware is fully understood. In some cases more AV equipment fixing hardware will be supplied to accommodate different models of equipment and set up configurations. The installer must be satisfied that any supplied fixing hardware is suitable for each specific installation. The fixing kit supplied with the product may not be suitable for all walls. If any fixing screws or included hardware are deemed not sufficient for a safe installation then please consult a professional or your local hardware store.

Hazard limitation

When routing cables take advantage of any built in cable management features that the product might provide and ensure that all cables are tidy and secure. Check to see that any moving aspect of the product can do so unhindered by any cabling. Some products have moving parts and the potential to cause injury through the crushing or trapping of fingers or other body parts. Particular attention to the nature of moving parts is required especially when assembling installing and adjusting during set up. Immediately after installation double-check that the work done is safe and secure. Double-check all necessary fixings are present and are of ample tightness. It is recommended that periodic inspections of the product and its fixing points are made as frequently as possible (no more than 6 months apart) to ensure that safety is maintained. If in doubt consult a professional AV installer or other suitably qualified person.

- CN B-Tech AV Mounts 建议本产品由专业AV安装人员或其他合格人员安装。B-Tech AV Mounts 及它的代理商、经销商不对由于不恰当的安装而造成的损失或伤害负责。本产品必须安装在合适的架构上，并仅用于不超过所标示的最大承重。
- CS Spoločnosť B-Tech AV Mounts doporučuje previesť instaláciu tohto produktu inštalátora AV či jinak zručných osobou. Spoločnosť B-Tech AV Mounts a predajci distribútorí a predajci nenesou zodpovednosť za škody spôsobené nesprávnou alebo zranení z dôvodu nevhodnou inštaláciou. Tento výrobok je nutné umiestiť do vhodnej konštrukcie a používať ju po uvedenej maximálnej výške.
- DE B-Tech AV Mounts empfiehlt, dass dieses Produkt durch einen qualifizierten AV-Techniker oder eine andere Person mit geeigneter Qualifikation installiert wird. B-Tech AV Mounts, ihre Distributoren und Händler können nicht für durch fehlerhafte Montage verursachte Beschädigung oder Verletzung haftbar bzw. verantwortlich gemacht werden. Dieses Produkt muss auf einem geeigneten Untergrund montiert werden und darf nur bis zum angegebenen Höchstgewicht verwendet werden.
- EN B-Tech AV Mounts recommends that this product be installed by a qualified AV technician or other suitably qualified person. B-Tech AV Mounts, its distributors and dealers are not liable or responsible for damage or injury caused by improper installation, improper use or failure to observe these safety instructions. In such cases, all guarantees will expire. This product must be mounted on a suitable surface and may only be used up to the specified maximum weight.
- ES B-Tech AV Mounts recomienda que un instalador de audio y video profesional u otra persona debidamente cualificada instalen este producto. B-Tech AV Mounts, sus distribuidores y concesionarios no se hacen cargo ni se responsabilizan de ningún daño o lesión provocados por una instalación inapropiada. Este producto se debe montar en una estructura adecuada y se debe utilizar soportando solamente hasta el peso máximo indicado.
- FR B-Tech AV Mounts recommande de confier l'installation de ce produit à un installateur AV professionnel ou à une autre personne dûment qualifiée. B-Tech AV Mounts, ses distributeurs et ses revendeurs ne sauraient être tenus responsables de tout dégât ou de toute blessure résultant d'une installation incorrecte. Ce produit doit être monté sur un support approprié et utilisé dans la limite du poids maximum indiqué.
- IT B-Tech AV Mounts consiglia di affidare l'installazione di questo prodotto a un installatore specializzato o ad altra persona adeguatamente qualificata. B-Tech AV Mounts, i suoi distributori e rivenditori non accettano alcuna responsabilità nei riguardi di eventuali danni o infortuni causati da un'errata installazione. Questo prodotto deve essere fissato a una struttura idonea e utilizzato unicamente sino al peso massimo indicato.
- JP B-Tech AV Mounts はAV設置の専門家または適合した知識を備えた人が製品を設置することを推奨します。B-Tech AV Mountsと販売店、取引先はこうした安全指針に従わない場合に随伴される製品の損傷や傷害に対する責任を負いません。場合によって製品が設置されるに適していないところもあるので設置位置に特別な注意を傾けてください。この製品の位置に注意を傾けて設置に適していない壁があるかを確認してください。指定した重さ制限を超過するAV装備を装着しないでください。
- KR B-Tech AV Mounts 는 AV 설치 전문가 또는 적합한 지식을 갖춘 사람이 제품을 설치하도록 권장합니다. B-Tech AV Mounts 와 판매점, 거래처는 이러한 안전 지침을 따르지 않을 경우 수반될 제품의 손상이나 상해에 대한 책임을 지지 않습니다. 경우에 따라 제품이 설치되기에 적합하지 않은 곳들도 있으므로 설치 위치에 특별한 주의를 기울여 주시기 바랍니다. 제품의 설치 위치에 주의를 기울여 확인하십시오. 지정된 무게 제한을 초과하는 AV 장비를 장착하지 마십시오.
- NL B-Tech AV Mounts adviseert om dit product te laten installeren door een professionele AV-instalateur of andere hiervoor gekwalificeerde persoon. B-Tech AV Mounts, haar distributeurs en dealers zijn niet aansprakelijk of verantwoordelijk voor schade of letsel die is veroorzaakt door onoordeelkundige installatie. Dit product moet worden gemonteerd aan een geschikte constructie, waarbij het aangegeven maximum gewicht niet mag worden overschreden.
- PL Firma B-Tech AV Mounts zaleca, aby ten produkt był instalowany przez profesjonalnych instalatorów AV lub inny odpowiednio przeszkolony personel. Firma B-Tech AV Mounts, jej dystrybutorzy i dealerzy nie ponoszą odpowiedzialności za uszkodzenia lub obrażenia ciała powstałe w wyniku nieprawidłowej instalacji. Niniejszy produkt musi być amontowany na odpowiedniej powierzchni, a podczas użytkowania nie wolno przekraczać podanego maksymalnego obciążenia.
- PT A B-Tech AV Mounts recomenda que a instalação deste produto seja efectuada por um instalador de AV instalador de AV profissional ou outra pessoa devidamente habilitada. A B-Tech AV Mounts e os seus distribuidores e concessionários não são responsáveis por danos ou lesões causados por uma instalação incorrecta. Este produto tem de ser montado numa estrutura adequada e utilizado somente até ao peso máximo indicado.
- RU Компания B-Tech AV Mounts рекомендует, чтобы установка данного изделия производилась инженером по установке аудио-видеотехники или другим специалистом с соответствующей квалификацией. Компания B-Tech AV Mounts ее дистрибьюторы и дилеры не несут ответственности за повреждения или травмы, полученные в результате неправильной установки.

توصي بي-تيك للتجارة الدولية المحدودة بأن شخص محترف في تركيب ال AV أو شخص مؤهل تأهيلا مناسباً لتركيب هذا المنتج. بي-تيك للتجارة الدولية، موزعها والتجار ليست عرضة أو مسؤولة عن الأضرار أو الإصابات الناجمة عن تركيب غير سليم، والاستخدام غير السليم أو عدم مراعاة هذه التعليمات للسلامة. يجب أن يتم تركيب هذا المنتج في بنية مناسبة ويجب استخدامه فقط لدعم الحد الأقصى للوزن المشار إليه.

Important Safety Instructions



Danger: To reduce the risk of an electric shock always:

- Turn off power at source before cleaning.
- Do not use near water or outdoors.



Warning: To reduce the risk of burns, fire, electric shock, or injury to persons:

- Unplug from outlet before putting on or taking off parts.
- Protect any cables or cords being used near this equipment from being walked on or pinched.
- Clean only with a dry cloth and always unplug any electrical items being used in conjunction with this product before cleaning.
- Never operate this mounting system if it has a damaged cord or plug, if it is not working properly, if it has been dropped or damaged, or dropped into water. Return the mounting system to a service centre for examination and repair.
- Keep the cord away from heated surfaces.
- To avoid any damages and improve manoeuvrability ensure a safe distance of at least 1 metre is kept between the trolley and other furnishings.
- Never drop or insert any object into any opening.
- Do not operate where aerosol (spray) products are being used or where oxygen is being administered.
- To disconnect, turn all controls to the off position, then remove plug from outlet.



Warning: Exceeding the weight capacity can result in serious personal injury or damage to equipment. It is the installer's responsibility to make sure the weight of all components attached to the BT8554 does not exceed 25kg (55lbs) per screen.

Warning: Use this mounting system only for its intended use as described in these instructions. Do not use attachments not recommended by the manufacturer.

Any switch or similar device used to operate the interactive board system must be installed at a height of between 750mm and 1200mm from the floor.

Warning: Never operate the product if it is damaged in any way, liquid has been spilled or objects have fallen into the apparatus, the apparatus has been exposed to rain or moisture, does not operate normally, or has been dropped. Contact the original installer/manufacturer to arrange repair or return.

Warning: Risk of death or serious injury may occur if children climb onto trolley / stand.

Note: BT8554 has no user serviceable parts.

Note: BT8554 can support 2 screens, each up to a maximum of 46 inches (diagonal).



Caution: Changes or modifications to this unit not expressly approved by the manufacturer can void the units CE certifications and make the unit illegal to operate.

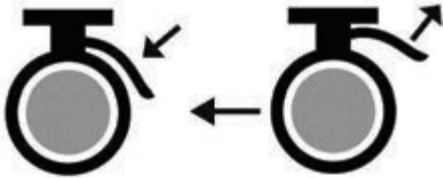
⚠ Warning ⚠

Can tip over which may lead to serious injury.

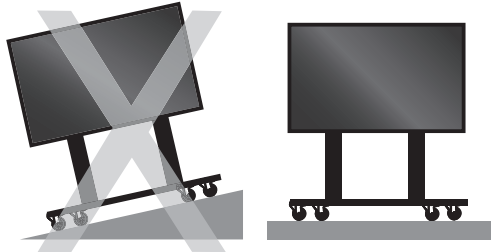
Do not allow children under 16 to move the trolley.

Move the trolley slowly.

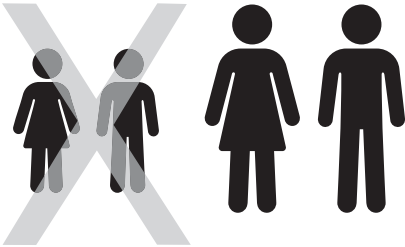
Apply the brakes when trolley is stationary. Release brakes when pushing trolley.



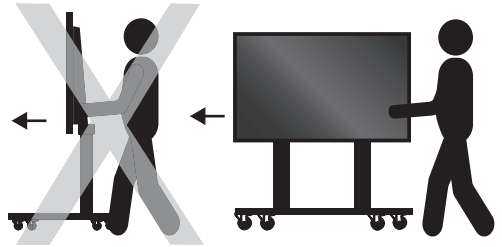
Never leave the trolley on an incline. Always park on level ground.



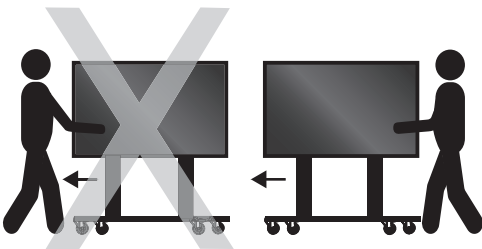
Only adults should push this trolley.



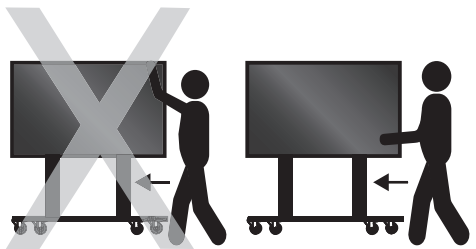
Push trolley on narrow side.



Never pull trolley. Always push.

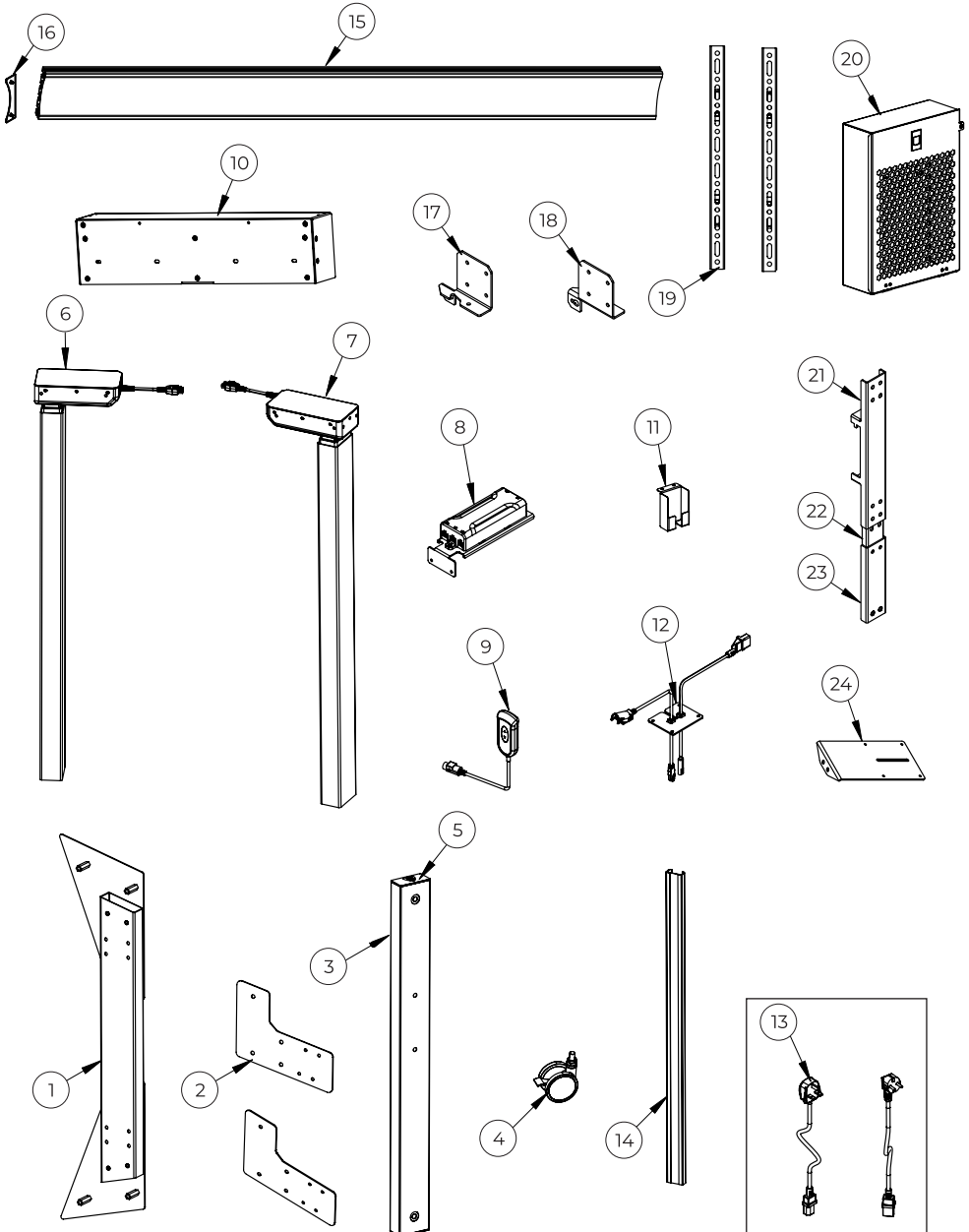


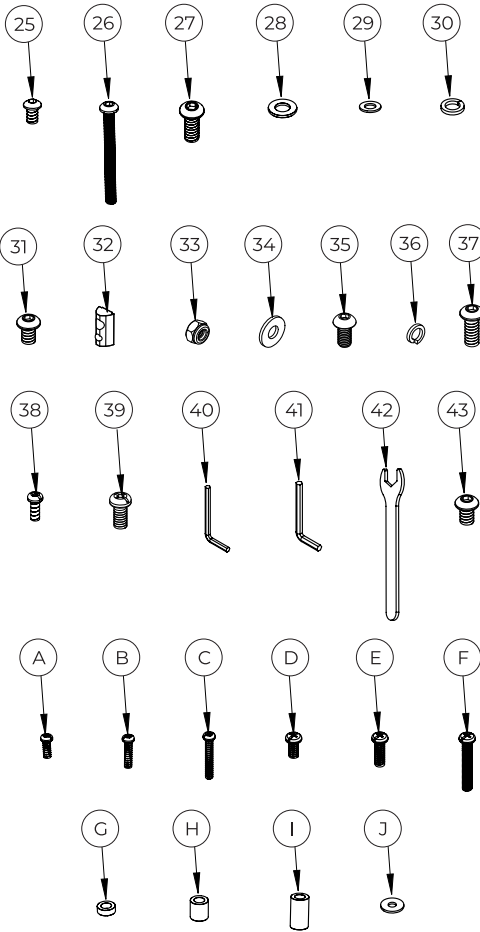
Do not push at top of trolley. Always push near middle.



BT8554 Parts List

Please keep this for future reference





Installation Tools Required

Screwdriver

Max weight
25kg (55lbs)
per screen

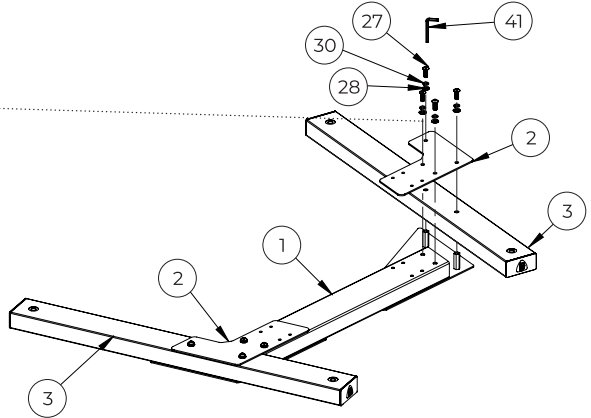
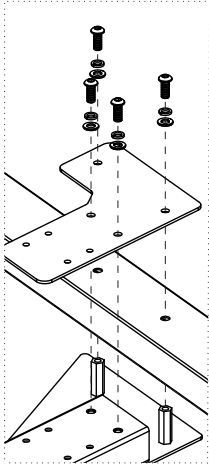
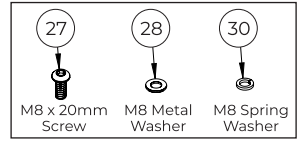
Screen Fixings		
Item	Description	Qty
A	M6 x 16mm Screw	8
B	M6 x 25mm Screw	8
C	M6 x 40mm Screw	8
D	M8 x 16mm Screw	8
E	M8 x 25mm Screw	8
F	M8 x 50mm Screw	8
G	M8 x 5mm Spacer	8
H	M8 x 15mm Spacer	8
I	M8 x 25mm Spacer	8
J	M6 Washer	8

Item	Description	Qty
1	Base Centre	1
2	Base Connector Plate	2
3	Base Leg	2
4	Castor	4
5	Base Leg End Cap	4
6	Left Column	1
7	Right Column	1
8	Control Box	1
9	Control Panel	1
10	Control Box Enclosure	1
11	Control Panel Holder	1
12	Cable Connector	1
13	UK & EU Plug	1
14	Cable Management Tray	1
15	Mounting Rail	1
16	Rail End Cap	2
17	Right Rail Adaptor	1
18	Left Rail Adaptor	1
19	Interface Arm	4
20	Media Storage Cradle	1
21	Hook-On Mounting Arm	1
22	Adjustable Arm	1
23	Extension Adaptor	1
24	VC Shelf	1
25	M6 x 10mm Screw	19
26	M6 x 60mm Screw	8
27	M8 x 20mm Screw	14
28	M8 Metal Washer	14
29	M6 Metal Washer	23
30	M8 Spring Washer	14
31	M8 x 12mm Screw	14
32	M8 Insert Nut	10
33	M8 Nyloc Nut	4
34	Washer	4
35	M8 x 16mm Hex Screw	4
36	M8 Spring Washer	4
37	M8 x 20mm Hex Screw	2
38	M4 x 10mm Screw	4
39	UNC 1/4" x 1/2" Screw	1
40	4AF Hex Key	1
41	5AF Hex Key	1
42	17mm Spanner	1
43	M8 x 10mm Screw	2

Installation Instructions

1. Assemble Base

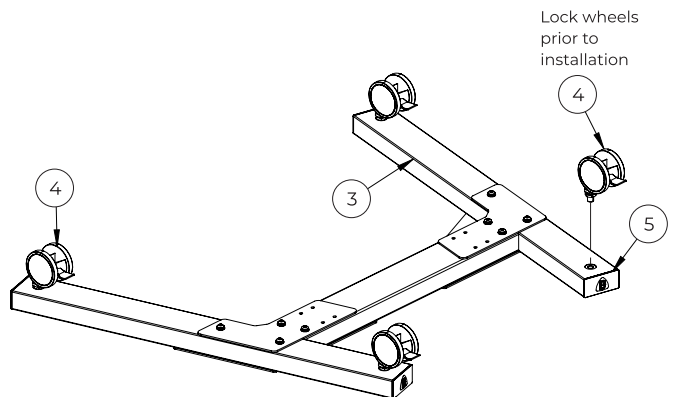
Connect *item 3* to *item 1* using *item 2* with *items 27, 28 & 30*.



2. Fix Castors To Base

Fit *item 4* onto *item 3*.

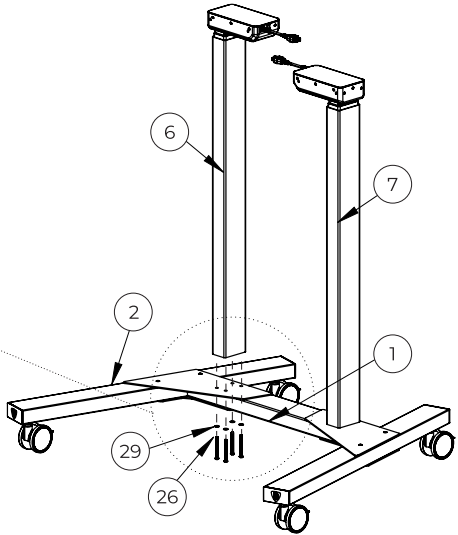
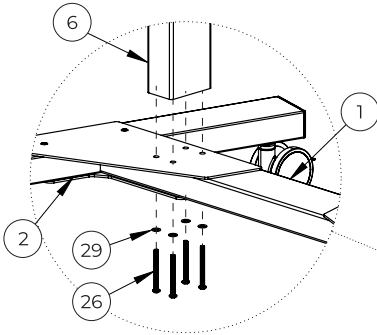
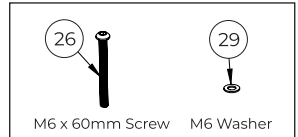
Note: Lock *item 4* before screwing it into base.



3. Attach Columns To Base

Fix items 6 & 7 to items 1 & 2 using items 26 & 29.

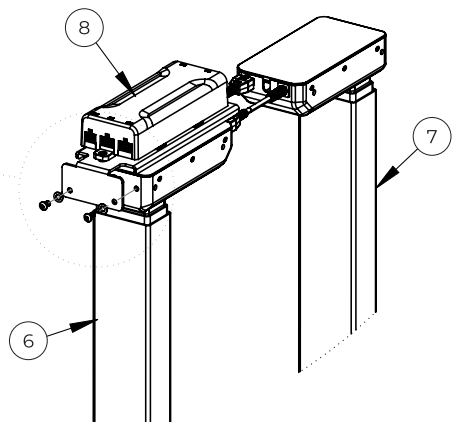
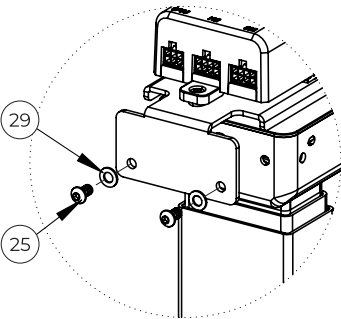
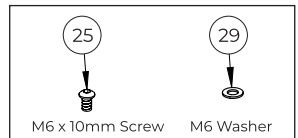
Note: Ensure columns are installed the correct way round with the cables facing inwards.



Important: Do not fully tighten item 26 until Step 6 has been completed.

4. Assemble Control Box

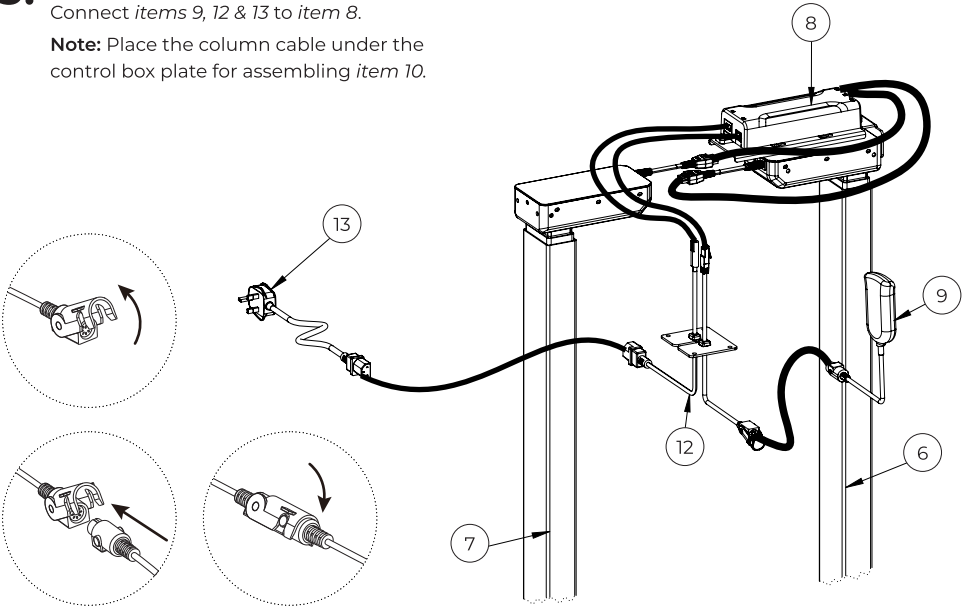
Fix item 8 to item 6 or 7 using items 25 & 29.



5. Connect Cables

Connect *items 9, 12 & 13* to *item 8*.

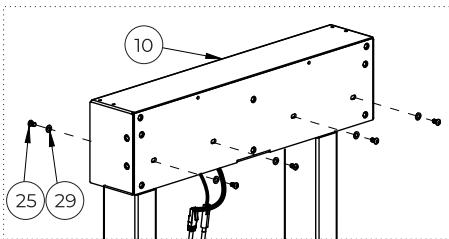
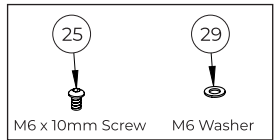
Note: Place the column cable under the control box plate for assembling *item 10*.



6. Add Control Box Enclosure

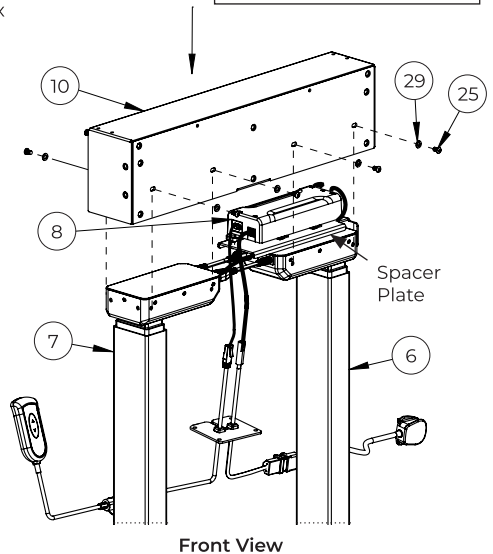
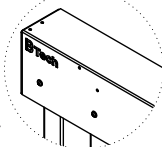
Fit *item 10* onto *items 6 & 7* covering *item 8*.
Fix in place using *items 25 & 29*.

Note: When sliding on, offset *item 10* towards the side of the column without the control box installed and route cables under the spacer plate, this allows easy installation of the cover. When assembling *item 10*, ensure not to pinch any cables.



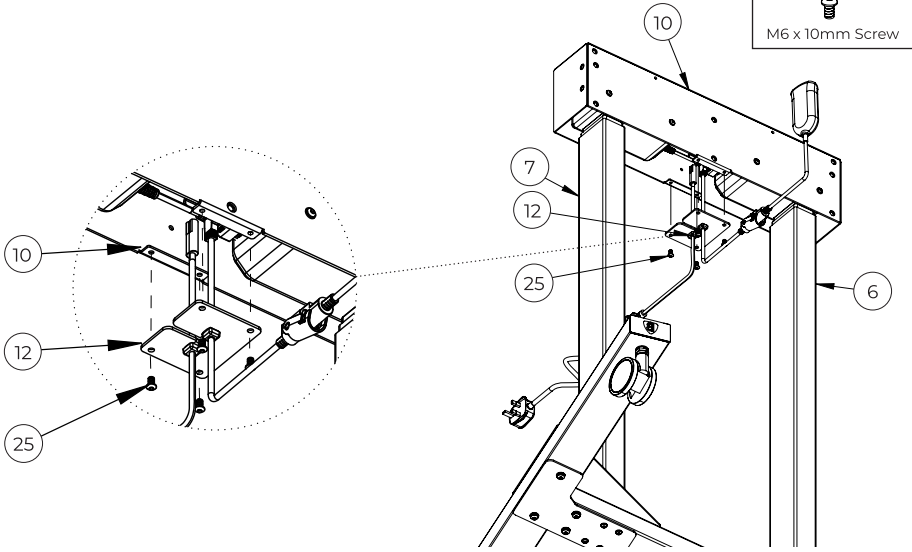
Note: The B-Tech logo on *item 10* should be facing the rear of the trolley.

Rear View



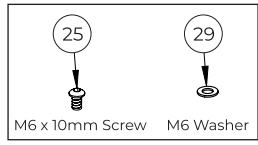
7. Fix Cable Connector

Attach item 12 to item 10 using item 25.

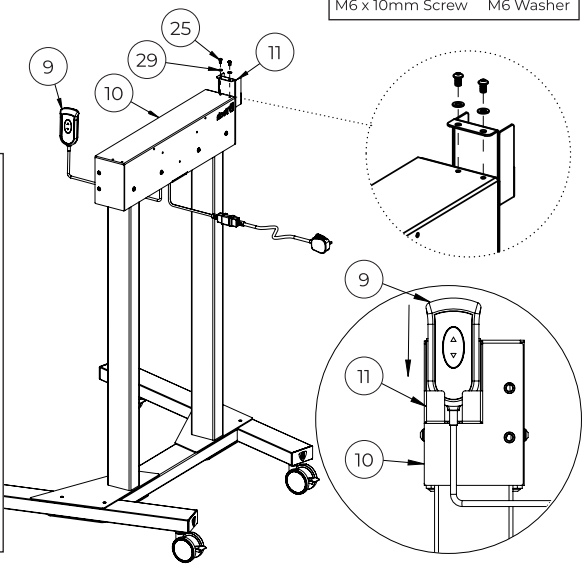
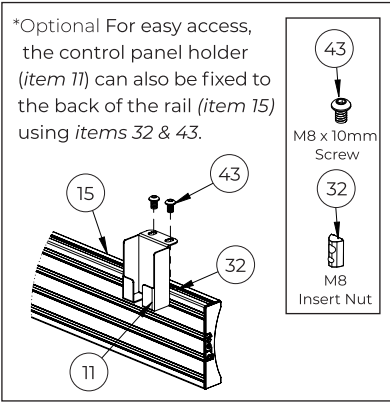


8. Attach Control Panel Holder

- i. Fix item 11 to the side of item 10* using items 25 & 29.
- ii. Place item 9 into item 11.

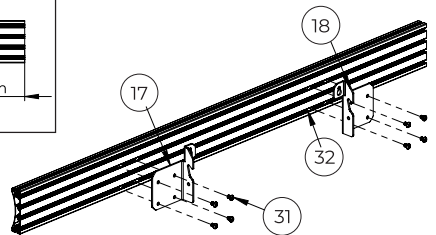
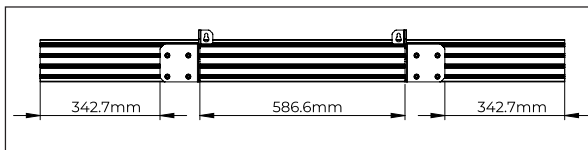
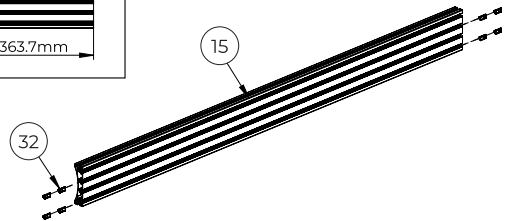
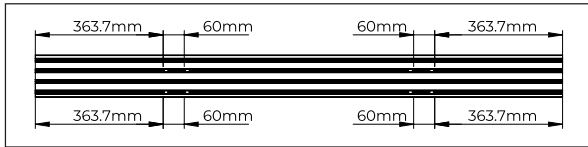
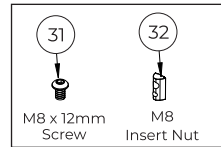


*Optional For easy access, the control panel holder (item 11) can also be fixed to the back of the rail (item 15) using items 32 & 43.

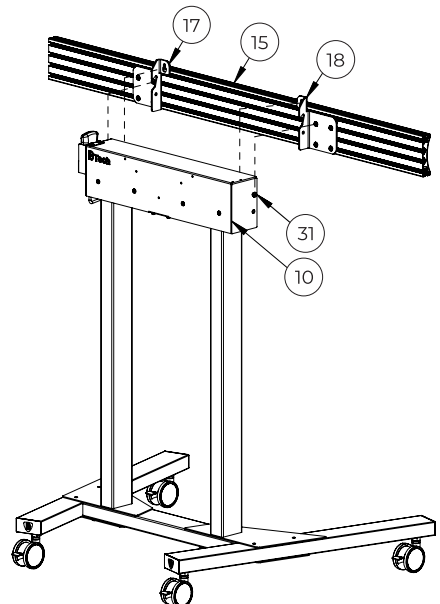
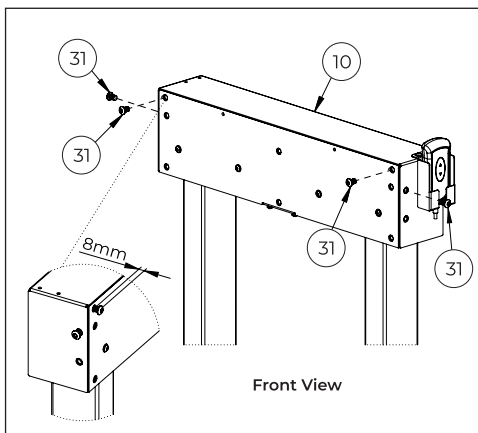


9. Assemble Mounting Rail On Trolley

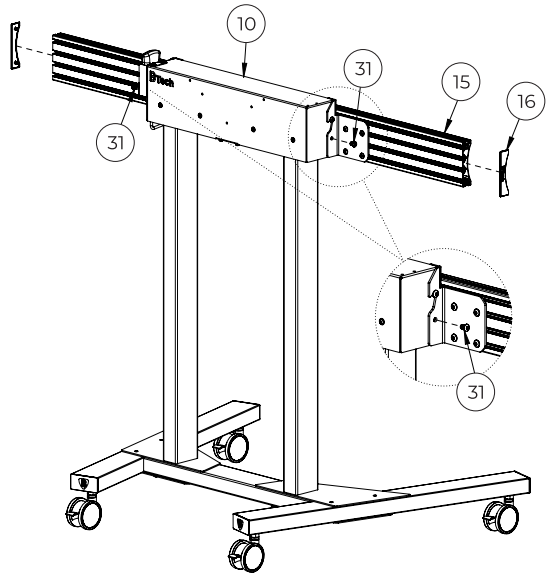
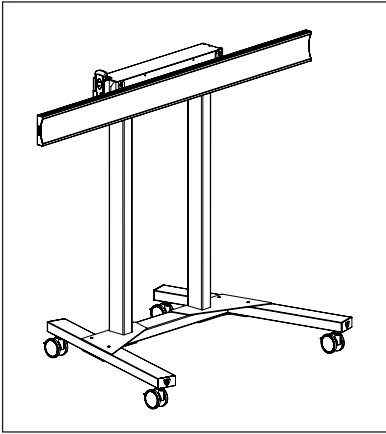
- i. On the back of *item 15* insert *item 32* into the bottom and 2nd channel
- ii. Attach *items 17 & 18* to the back of *item 15* using *items 31 & 32*.



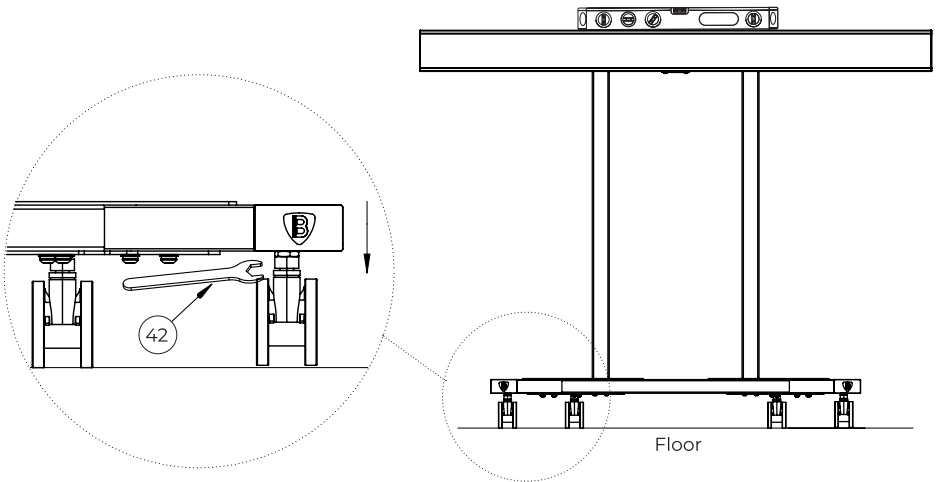
- iii. Insert *item 31* into the top holes of *item 10*, do not fully tighten. Allow a gap of approx. 8mm (0.3") to hook on the rail.
- iv. Hook *item 15* onto *item 10* using *items 17 & 18*.



- v. Fasten *item 31* into the bottom holes of *items 17 & 18* and fully tighten all fixings.
- vi. Fit *item 16* to the end of *item 15*.



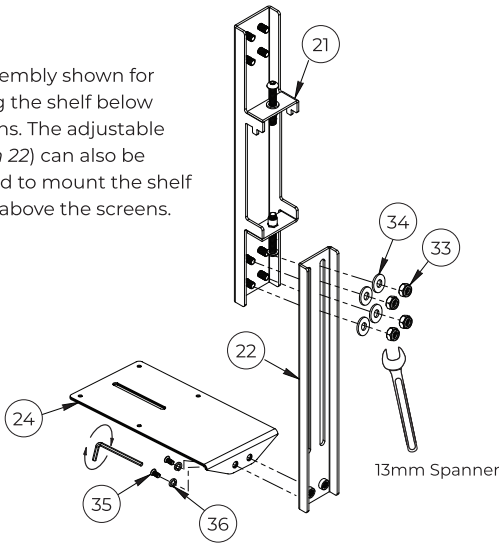
- vii. Ensure level alignment of trolley



10. Install Camera Shelf

- i. Attach *item 22* to *item 21* using items 33 & 34.
- ii. Attach *item 24* to *item 22* using *items 35 & 36*.

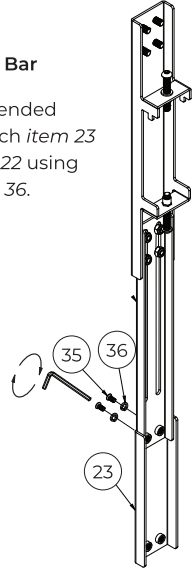
Note: Assembly shown for mounting the shelf below the screens. The adjustable arm (*item 22*) can also be assembled to mount the shelf (*item 24*) above the screens.



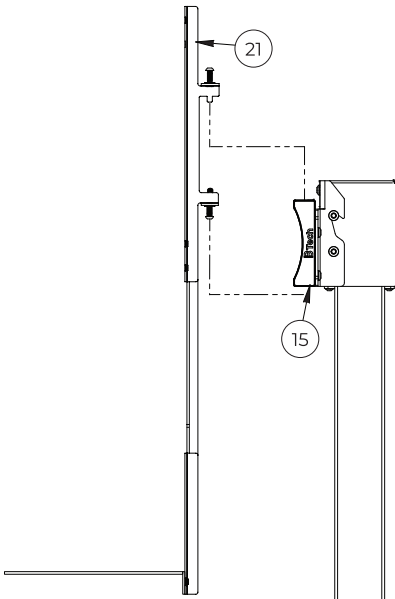
Note: Assemble accessory mounting arm onto the rail before mounting screens to rail.

Optional Add Extension Bar

For an extended reach attach *item 23* onto *item 22* using *items 35 & 36*.



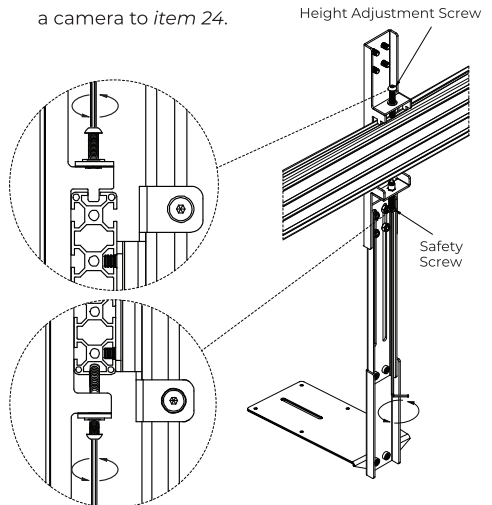
- iii. Hook *item 21* onto *item 15*.



- iv. Secure shelf to rail.

Optional: Level the shelf bracket by using the height adjustment screw on top of *item 21*. Use the safety screw underneath the hook arm to secure the shelf bracket to rail.

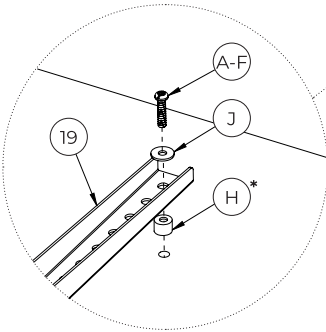
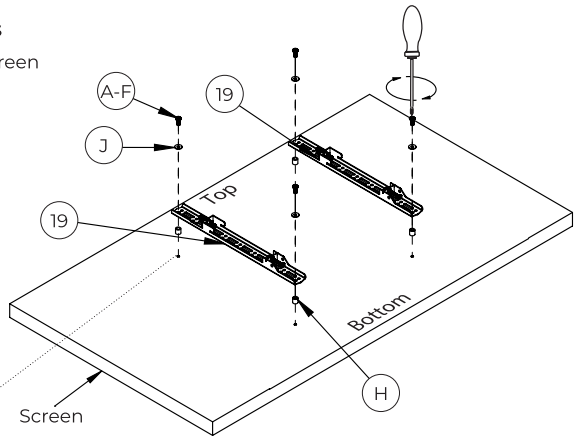
- v. Use *items 38 & 39* to fix a camera to *item 24*.



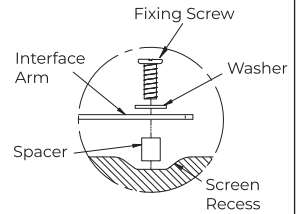
11. Fix Interface Arms To Screens

Attach *item 19* to the rear of the screen using the screen fixings provided. Repeat for both screens.

Note: Ensure interface arms are positioned the correct way round and the same holes are used on all arms.

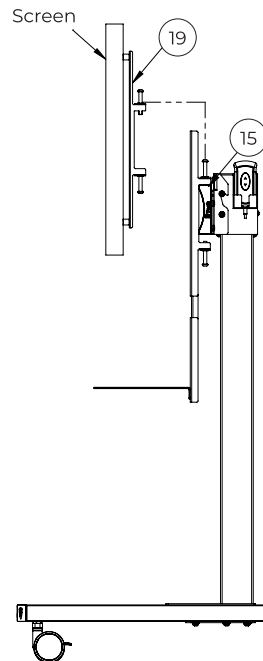
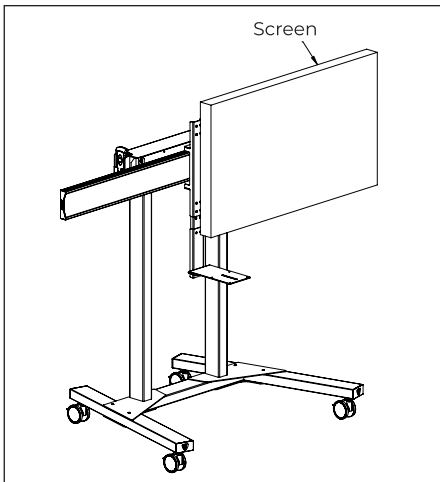


***Note:** Use spacers (*items C, H & I*) if mounting camera shelf (*item 21*) or for screens with recessed fixings.



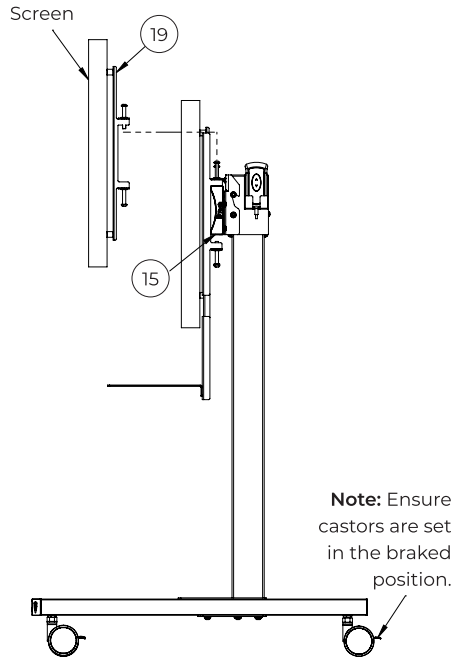
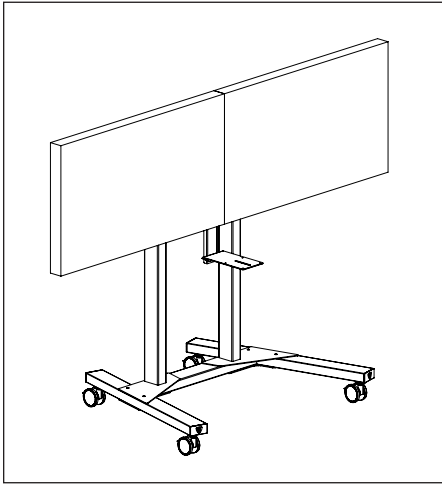
12. Mount Screens Onto Trolley

i. Using *item 19*, hook the first screen onto the mounting rail (*item 15*).



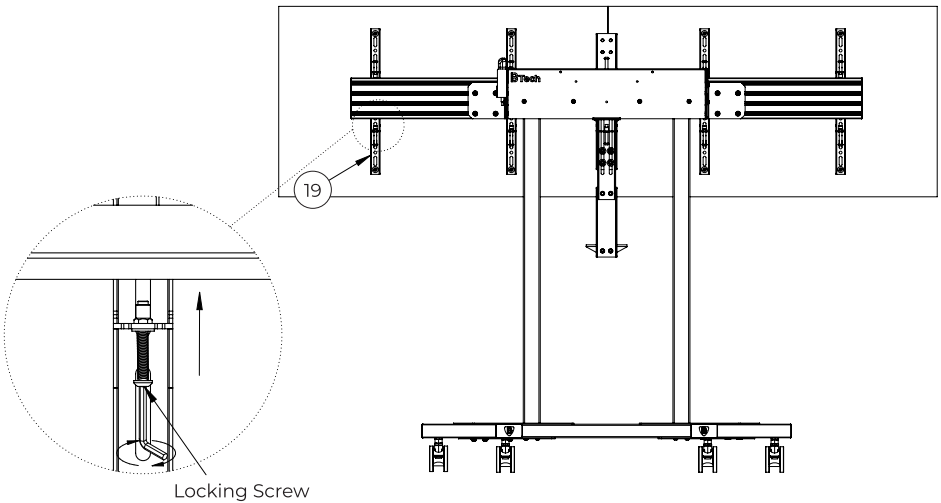
Note: Ensure castors are set in the braked position.

ii. Using *item 19*, hook the second screen onto the rail (*item 15*).



13. Secure Screens

Secure screens to mount by tightening the locking screws on the bottom of *item 19*.

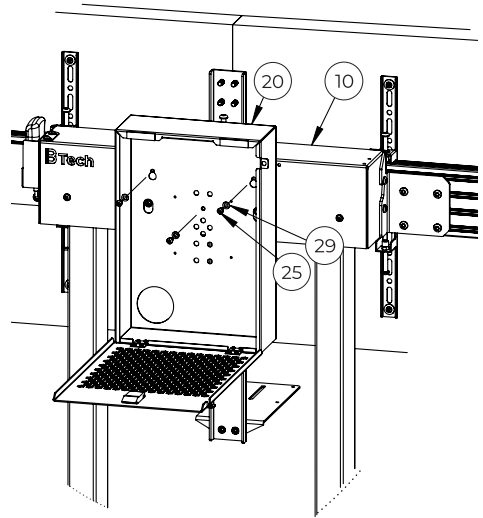
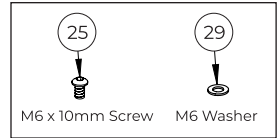
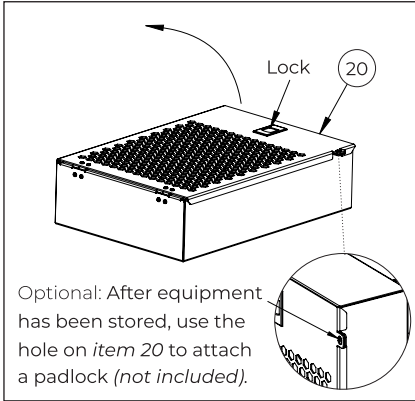


14. Assemble Media Storage Cradle

- i. Press down the lock on *item 20* and open the cover.
- ii. Use the keyhole fixings to attach *item 20* to *item 10* using *items 25 & 29*.
- iii. Once fixed to trolley, close cradle cover.

Note: Cradle dimensions:

264mm x 380mm x 101mm (10.4" x 15" x 4")

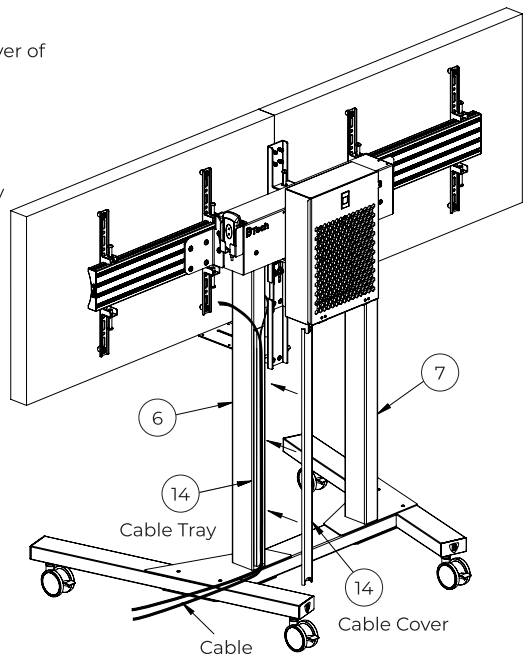
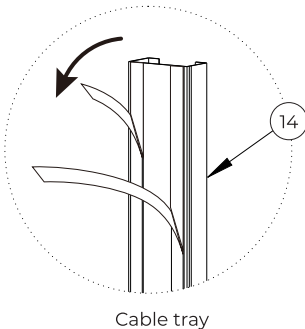


15. Fit Cable Cover Onto Column

- i. Separate the cable tray and cable cover of *item 14* and stick the cable tray onto the back of a column (*item 6 or 7*).

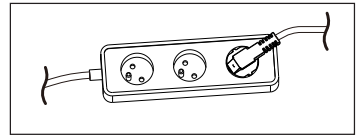
Note: Place the cable tray at the lowest position on the column.

- ii. Route any cables down the cable tray and add the cable cover of *item 14*.

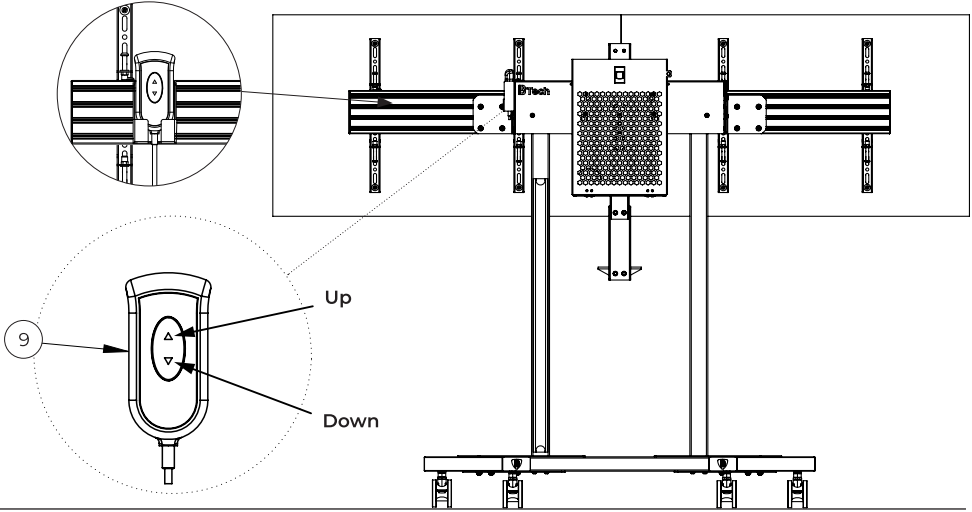


16. Operating Control Panel System

Connect floor stand to power and use *item 9* to adjust screen height up or down.



Alternative assembly location for Control Panel - See page 11.



Distance from floor to centre of screen

Min. 1089mm (42.9") - Max. 1739mm (68.5")

Troubleshooting



Duty cycle: Max. 2 min operation / min. 18 min stop.

System detects and prevents overheating by shutting down for approximately 18 min. after detection.

After cool down period system activates automatically.



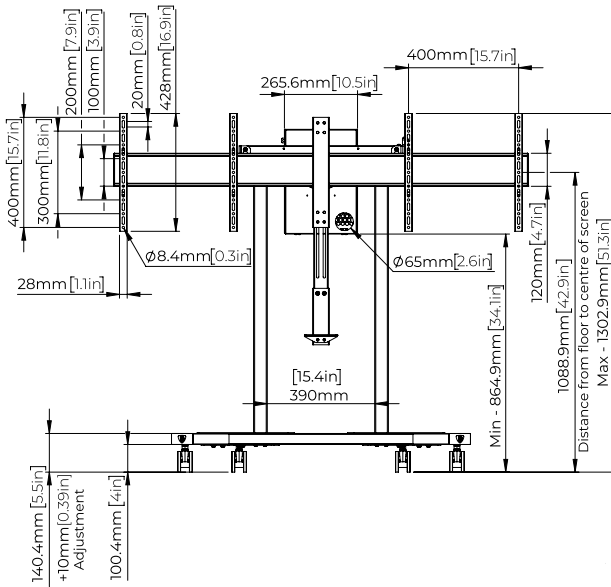
If the columns stop moving, a reset and rebalance will be needed:

- Push and hold the 'DOWN' button on the control panel until the columns are at the very bottom.
- Keep holding the 'DOWN' button for another 5-10 seconds until the columns react and move slightly upwards.
- When upwards reaction has been identified the control panel function has been restarted and the columns will react as normal to your control panel actions.

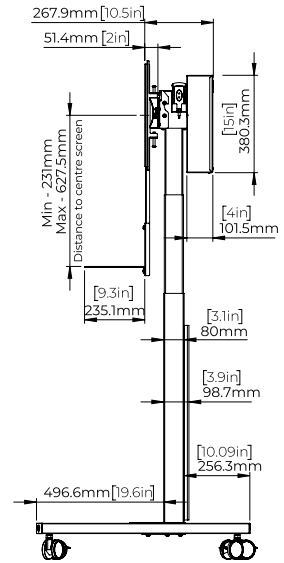
BT8554 Dimensions

Please keep this for future reference

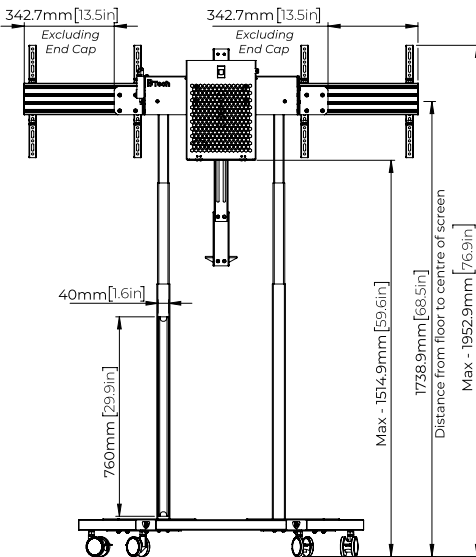
Front View



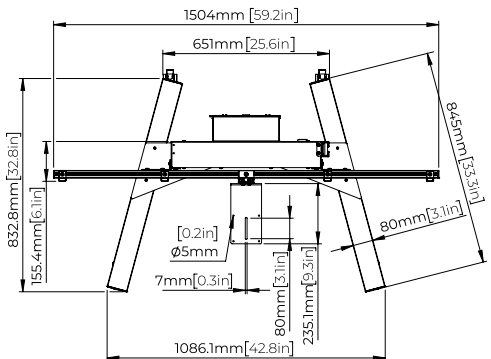
Side View



Rear View



Top View



These instructions are intended as a guide only and B-Tech accepts no liability for the accuracy of the information contained in this document.

BT8554

Contact: info@btechavmounts.com

©2025 B-Tech AV Mounts Corporation Ltd. All rights reserved.

B-Tech AV Mounts is a division of B-Tech AV Mounts Corporation Ltd.

B-Tech AV Mounts and the B-Tech logo are registered trademarks.

All B-Tech images and symbols are exclusive property of B-Tech AV Mounts Corporation Ltd.

All other brands and product names are trademarks of their respective owners.

Any reproduction, retransmission or republication of any part of this manual is strictly prohibited, unless prior written permission has been granted by B-Tech AV Mounts Corporation Ltd.

Photographs are for illustrative purposes only. E&OE

AMA-BT8554-V1-0525-BTECH Made in the P.R.C.

