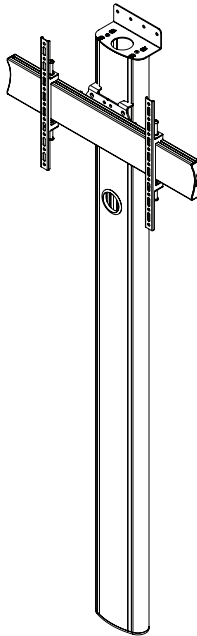








Premium Floor-To-Wall Single Screen UC Stand

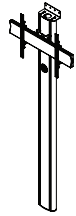
Installation Guide



- Recommended for screens up to: 75" (190cm)
- Max load: 70kg (154lbs)
- Stand Dimensions:
H.1970mm x W.705mm x D.160mm (77.5" x 27.75" x 6.3")
- Suitable for displays with VESA® & non-VESA fixings
- Universal design suitable for displaying screens in a landscape or portrait orientation
- Integrated cable management

Max Load	Recommended Max Screen	Max VESA	Post Install Alignment
 70kg (154lbs)	 75" 190cm	 600 x 400	

Installation Safety Notes	2
Parts List	4
Installation Instructions	6
Product Dimensions	14
B-Tech Contact Details	16



Installation Safety Instructions



Caution: This mount is intended for use only with the maximum weights indicated. Use with equipment heavier than the maximum indicated may result in instability causing possible injury.

Do not attempt to install this product until all instructions and warnings have been read and properly understood. *Please keep these instructions for future reference.*

Please check carefully to make sure there are no missing or defective parts - defective parts must never be used. B-Tech AV Mounts, its distributors and dealers are not liable or responsible for damage or injury caused by improper installation, improper use or failure to observe these safety instructions. In such cases, all guarantees will expire.

General

B-Tech AV Mounts recommends that a professional AV installer or other suitably qualified person install this product. Great care must always be taken during installation as most AV equipment is of a fragile nature, possibly heavy and easily damaged if dropped. If you do not fully understand the instructions or are not sure how to install this product safely, then please consult a professional for advice and/or to install this product for you. Failure to mount this product correctly may cause serious injury or death both during installation and at any time thereafter. Do not mount any AV equipment that exceeds the specific weight limit of the product you are installing. This weight limit will be clearly stated on each product and its packaging and will vary from product to product.

Product location

Please pay careful attention to where this product is located. Designed for indoor use, this stand is suitable for public or home installation. Check load capacity of the floor/wall prior to installation to ensure that it can support the combined weight of the equipment and hardware, some surfaces are not suitable for installation.

When verifying the stability of the structure, consider the following external factors: The strength of the floor, exposure to sudden and severe wind and danger arising from contact with people and / or objects (eg installations in passageways, emergency exits), if located in a public or frequently populated area ensure that the product is out of the immediate reach of people. When drilling holes it is essential to avoid contact with electrical cables and water or gas pipes contained within. Use of a good quality live wire detector and hidden object locator is therefore recommended. Only drill into structures when you are sure it is safe to do so.

Fixing hardware

It is highly recommended that all fixing screws be used where supplied and that the purpose of all other fixing hardware is fully understood. In some cases more AV equipment fixing hardware will be supplied to accommodate different models of equipment and set up configurations. The installer must be satisfied that any supplied fixing hardware is suitable for each specific installation. The fixing kit supplied with the product may not be suitable for all walls. If any fixing screws or included hardware are deemed not sufficient for a safe installation then please consult a professional or your local hardware store.

Hazard limitation

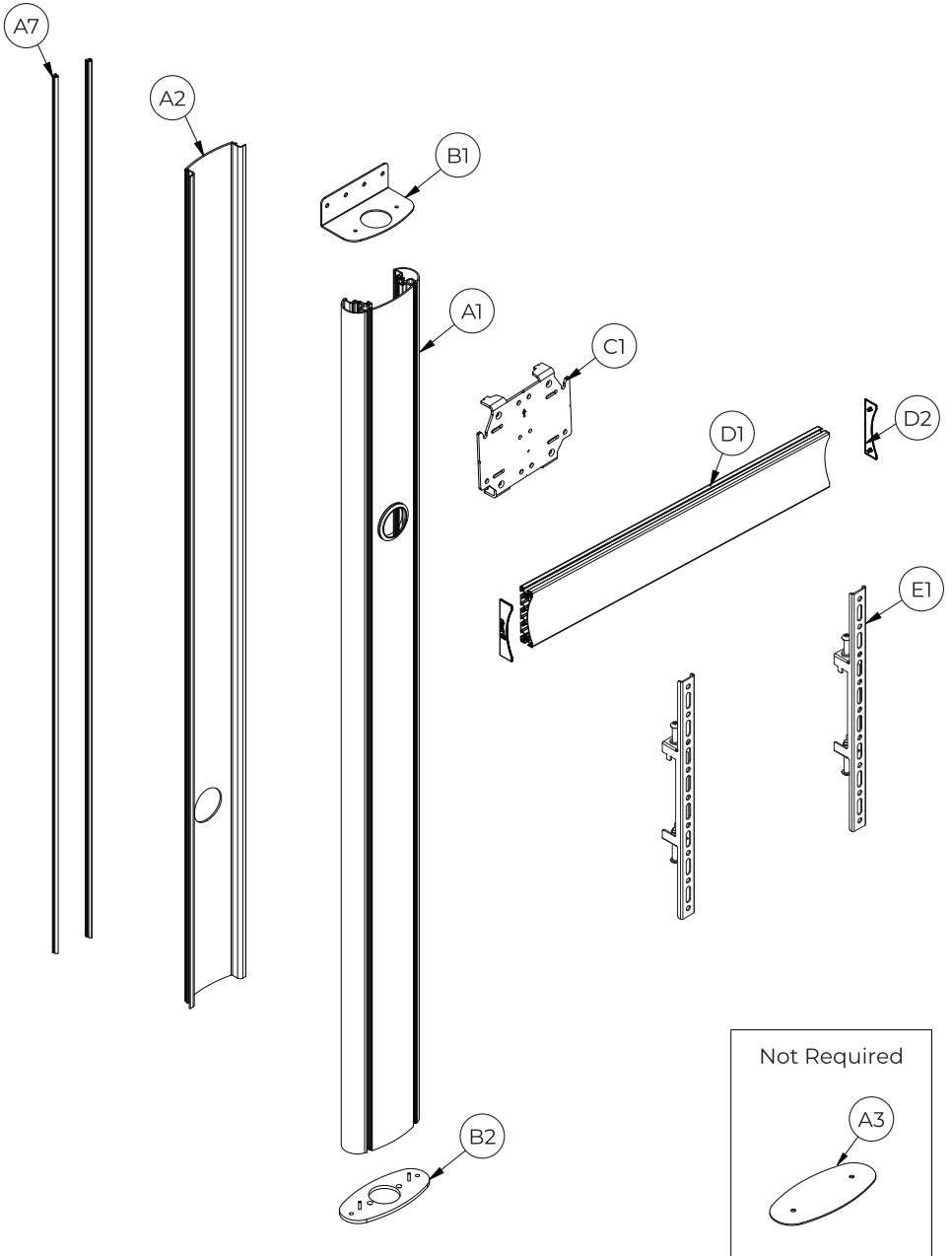
When routing cables take advantage of any built in cable management features that the product might provide and ensure that all cables are tidy and secure. Check to see that any moving aspect of the product can do so unhindered by any cabling. Some products have moving parts and the potential to cause injury through the crushing or trapping of fingers or other body parts. Particular attention to the nature of moving parts is required especially when assembling installing and adjusting during set up. Immediately after installation double-check that the work done is safe and secure. Double-check all necessary fixings are present and are of ample tightness. It is recommended that periodic inspections of the product and its fixing points are made as frequently as possible (no more than 6 months apart) to ensure that safety is maintained. If in doubt consult a professional AV installer or other suitably qualified person.

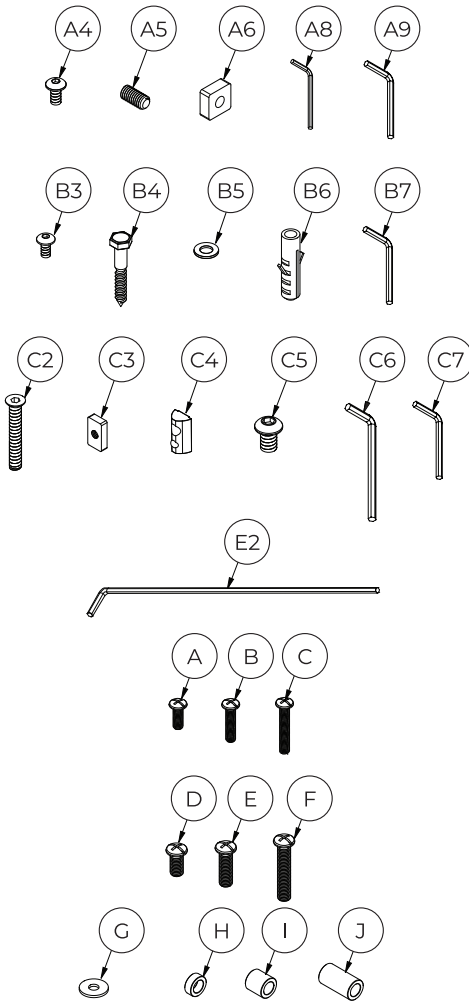
- CN B-Tech AV Mounts 建议本产品由专业AV安装人员或其他合格人员安装。B-Tech AV Mounts 及它的代理商、经销商不对由于不恰当的安装而造成的损失或伤害负责。本产品必须安装在合适的架构上，并仅用于不超过所标示的最大承重。
- CS Spoločnosť B-Tech AV Mounts doporučuje previesť instaláciu tohto produktu inštalátora AV či inak spôsobilé osoby. Spoločnosť B-Tech AV Mounts a predajci distribútor a predajci nenesou zodpovednosť za škody spôsobené nesprávnou alebo zranením spôsobenou nevhodnou inštaláciou. Tento výrobok je nutné umiestiť do vhodnej konštrukcie a používať ju po uvedenej maximálnej výške.
- DE B-Tech AV Mounts empfiehlt, dass dieses Produkt durch einen qualifizierten AV-Techniker oder eine andere Person mit geeigneter Qualifikation installiert wird. B-Tech AV Mounts, ihre Distributoren und Händler können nicht für durch fehlerhafte Montage verursachte Beschädigung oder Verletzung haftbar bzw. verantwortlich gemacht werden. Dieses Produkt muss auf einem geeigneten Untergrund montiert werden und darf nur bis zum angegebenen Höchstgewicht verwendet werden.
- EN B-Tech AV Mounts recommends that this product be installed by a qualified AV technician or other suitably qualified person. B-Tech AV Mounts, its distributors and dealers are not liable or responsible for damage or injury caused by improper installation, improper use or failure to observe these safety instructions. In such cases, all guarantees will expire. This product must be mounted on a suitable surface and may only be used up to the specified maximum weight.
- ES B-Tech AV Mounts recomienda que un instalador de audio y video profesional u otra persona debidamente cualificada instalen este producto. B-Tech AV Mounts, sus distribuidores y concesionarios no se hacen cargo ni se responsabilizan de ningún daño o lesión provocados por una instalación inapropiada. Este producto se debe montar en una estructura adecuada y se debe utilizar soportando solamente hasta el peso máximo indicado.
- FR B-Tech AV Mounts recommande de confier l'installation de ce produit à un installateur AV professionnel ou à une autre personne dûment qualifiée. B-Tech AV Mounts, ses distributeurs et ses revendeurs ne sauraient être tenus responsables de tout dégât ou de toute blessure résultant d'une installation incorrecte. Ce produit doit être monté sur un support approprié et utilisé dans la limite du poids maximum indiqué.
- IT B-Tech AV Mounts consiglia di affidare l'installazione di questo prodotto a un installatore specializzato o ad altra persona adeguatamente qualificata. B-Tech AV Mounts, i suoi distributori e rivenditori non accettano alcuna responsabilità nei riguardi di eventuali danni o infortuni causati da un'errata installazione. Questo prodotto deve essere fissato a una struttura idonea e utilizzato unicamente sino al peso massimo indicato.
- JP B-Tech AV Mounts はAV設置の専門家または適合した知識を備えた人が製品を設置することを推奨します。B-Tech AV Mountsと販売店、取引先はこうした安全指針に従わない場合に随伴される製品の損傷や傷害に対する責任を負いません。場合によって製品が設置されるに適していないところもあるので設置位置に特別な注意を傾けてください。この製品の位置に注意を傾けて設置に適していない壁があるかを確認してください。指定した重さ制限を超過するAV装備を装着しないでください。
- KR B-Tech AV Mounts 는 AV 설치 전문가 또는 적합한 지식을 갖춘 사람이 제품을 설치하도록 권장합니다. B-Tech AV Mounts 와 판매점, 거래처는 이러한 안전 지침을 따르지 않을 경우 수반될 제품의 손상이나 상해에 대한 책임을 지지 않습니다. 경우에 따라 제품이 설치되기에 적합하지 않은 곳들도 있으므로 설치 위치에 특별한 주의를 기울여 주시기 바랍니다. 제품의 설치 위치에 주의를 기울여 확인하십시오. 지정된 무게 제한을 초과하는 AV 장비를 장착하지 마십시오.
- NL B-Tech AV Mounts adviseert om dit product te laten installeren door een professionele AV-instalateur of andere hiervoor gekwalificeerde persoon. B-Tech AV Mounts, haar distributeurs en dealers zijn niet aansprakelijk of verantwoordelijk voor schade of letsel die is veroorzaakt door onoordeelkundige installatie. Dit product moet worden gemonteerd aan een geschikte constructie, waarbij het aangegeven maximum gewicht niet mag worden overschreden.
- PL Firma B-Tech AV Mounts zaleca, aby ten produkt był instalowany przez profesjonalnych instalatorów AV lub inny odpowiednio przeszkolony personel. Firma B-Tech AV Mounts, jej dystrybutorzy i dealerzy nie ponoszą odpowiedzialności za uszkodzenia lub obrażenia ciała powstałe w wyniku nieprawidłowej instalacji. Niniejszy produkt musi być amontowany na odpowiedniej powierzchni, a podczas użytkowania nie wolno przekraczać podanego maksymalnego obciążenia.
- PT A B-Tech AV Mounts recomenda que a instalação deste produto seja efectuada por um instalador de AV instalador de AV profissional ou outra pessoa devidamente habilitada. A B-Tech AV Mounts e os seus distribuidores e concessionários não são responsáveis por danos ou lesões causados por uma instalação incorrecta. Este produto tem de ser montado numa estrutura adequada e utilizado somente até ao peso máximo indicado.
- RU Компания B-Tech AV Mounts рекомендует, чтобы установка данного изделия производилась инженером по установке аудио-видеотехники или другим специалистом с соответствующей квалификацией. Компания B-Tech AV Mounts ее дистрибьюторы и дилеры не несут ответственности за повреждения или травмы, полученные в результате неправильной установки.

توصي بي-تيك للتجارة الدولية المحدودة بأن شخص محترف في تركيب ال AV أو شخص مؤهل تأهيلا مناسباً لتركيب هذا المنتج. بي-تيك للتجارة الدولية، موزع عليها والتجار ليست عرضة أو مسؤولة عن الأضرار أو الإصابات الناجمة عن تركيب غير سليم، والاستخدام غير السليم أو عدم مراعاة هذه التعليمات السلامة. يجب أن يتم تركيب هذا المنتج في بنية مناسبة ويجب استخدامه فقط لدعم الحد الأقصى للوزن المشار إليه.

BT8701 Parts List

Please keep this for future reference





Item	Description	Qty
A1	1.9m Column	1
A2	Column Rear Cover	1
A3	End Cap (Not Required)	1
A4	M6 x 12mm Hex Screw	2
A5	M6 x 12mm Grub Screw (Optional)	4
A6	Square Nut (Optional)	4
A7	Cover Strip	4
A8	3AF Hex Key	1
A9	4AF Hex Key	1
B1	Wall Plate	1
B2	Base Plate	1
B3	M6 x 12mm Screw	2
B4	M8 x 50mm Coach Screw	4
B5	M8 T1.5mm Metal Washer	4
B6	N°10 x 50mm Wall Plug	4
B7	4AF Hex Key	1
C1	Rail-To-Column Mounting Bracket	1
C2	M6 x 40mm CSK Hex Screw	4
C3	Rectangle Nut	4
C4	M8 Sliding Insert	4
C5	M8 x 12mm SCREW	4
C6	4AF Hex Key	1
C7	5AF x L120mm Hex Key	1
D1	Mounting Rail	1
D2	End Cap	2
E1	Screen Interface Arm	2
E2	5AF Long Hex Key	1

Installation Tools Required

Drill
Masonry bit or Wood bit

Pencil Screwdriver
Crosshead

Spanner

Pliers/Cutter

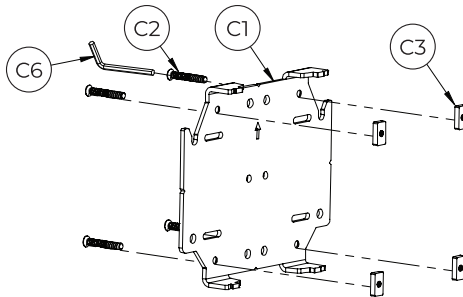
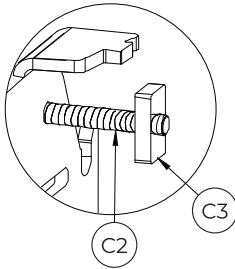
Screen Fixing Kit		
A	M6 x 16mm Screw	4
B	M6 x 25mm Screw	4
C	M6 x 40mm Screw	4
D	M8 x 16mm Screw	4
E	M8 x 25mm Screw	4
F	M8 x 50mm Screw	4
G	M6 Washer	4
H	5mm Spacer	4
I	15mm Spacer	4
J	25mm Spacer	4

Suitable for loads up to 70kg (154lbs)

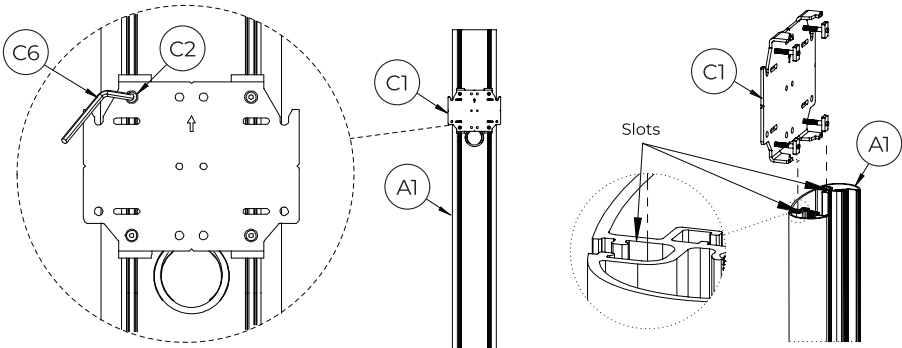
Installation Instructions

1. Attach Mounting Bracket To Column

- i. Insert 4 x *item C2* into *item C1* and attach *item C3*. Screw two full turns to leave *item C3* at the end of *item C2*.



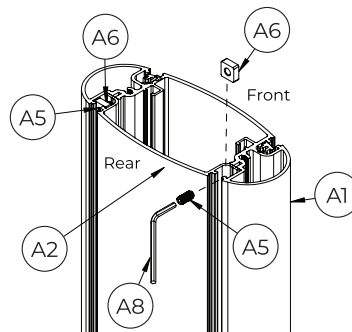
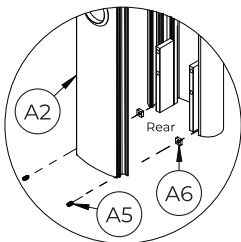
- ii. Slide *item C1* down the front slots of *item A1* to the correct height and tighten *item C2*.



Optional - Fix Rear Cover To Column

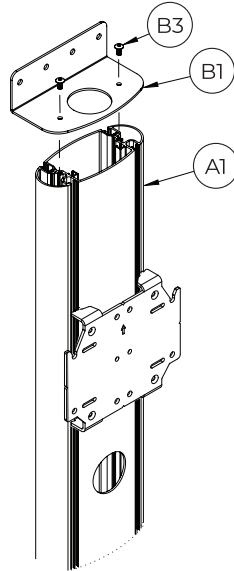
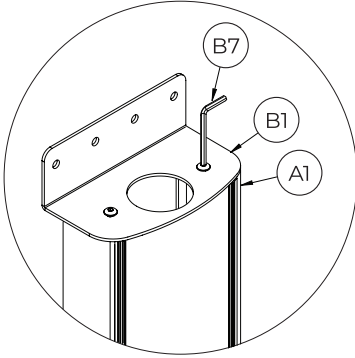
Place *item A2* into the back of *item A1*.

Use *items A5 & A6* at the top and bottom of the column slot to secure rear cover.



2. Attach Wall Plate To Column

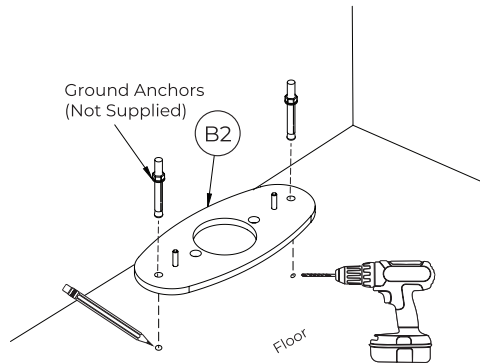
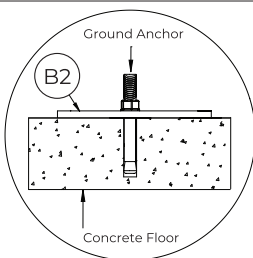
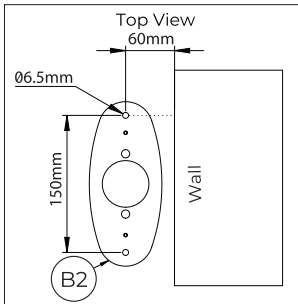
Fix item B1 to the top of item A1 using item B3.



3. Fix Floor Plate To Floor

Fix item B2 to floor (fixings not included).

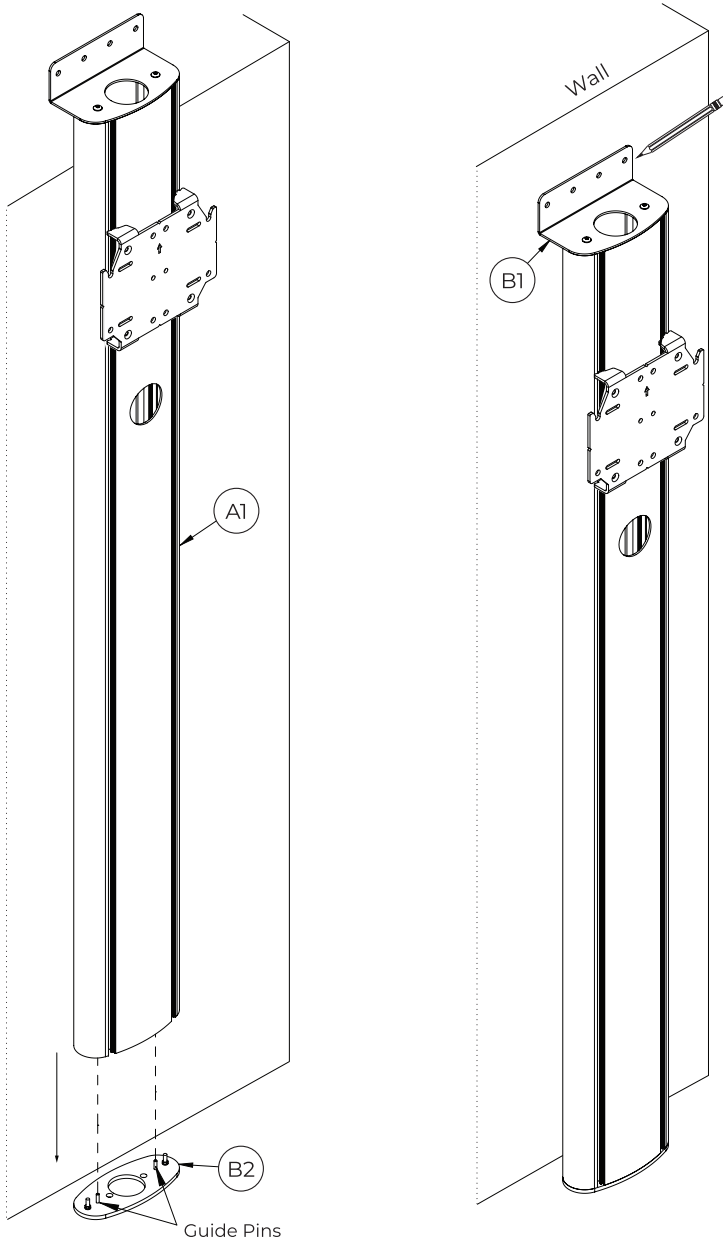
Note: Fixing points are 60mm away from the wall.



4. Mark Wall Fixing Holes

Using the guide pins, place *item A1* onto *item B2*.

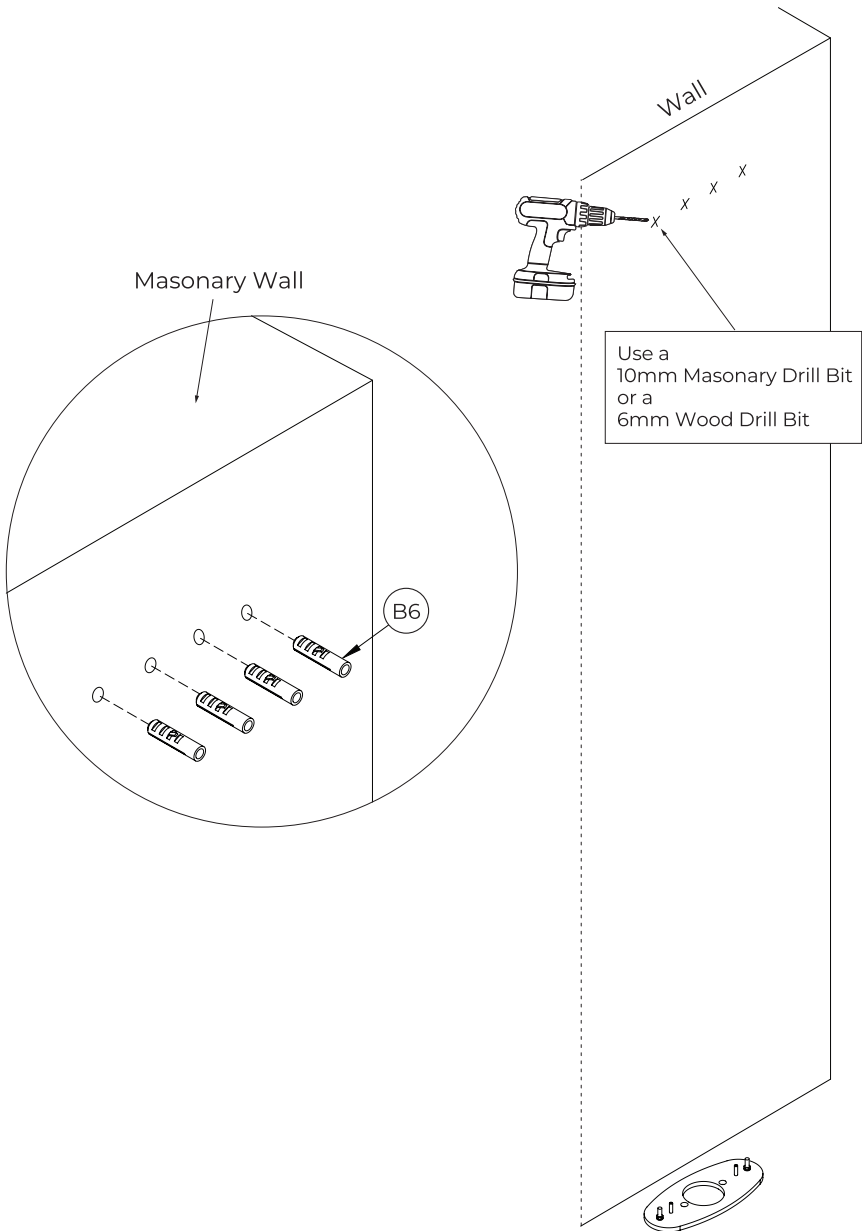
Mark the 4 fixing holes from *item B1* onto the wall.



5. Drill Holes And Insert Wall Plugs

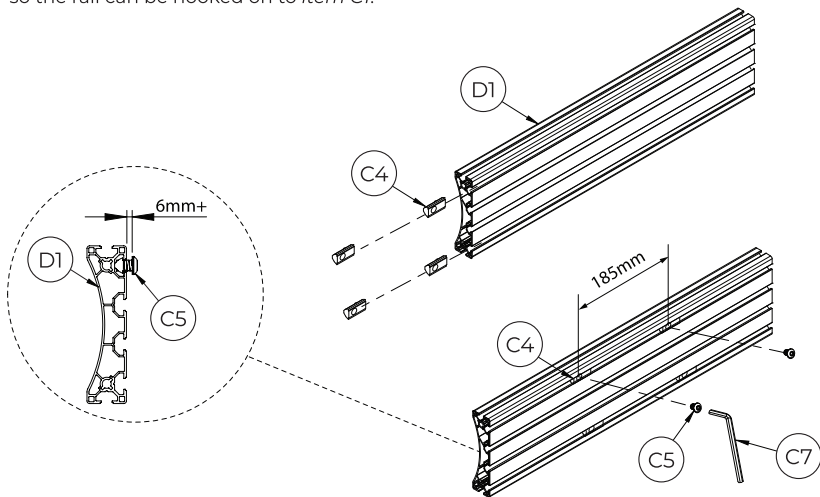
Remove *item A1* and drill marked holes.

Insert 4 x *item B6* (Not required for stud/wood walls).



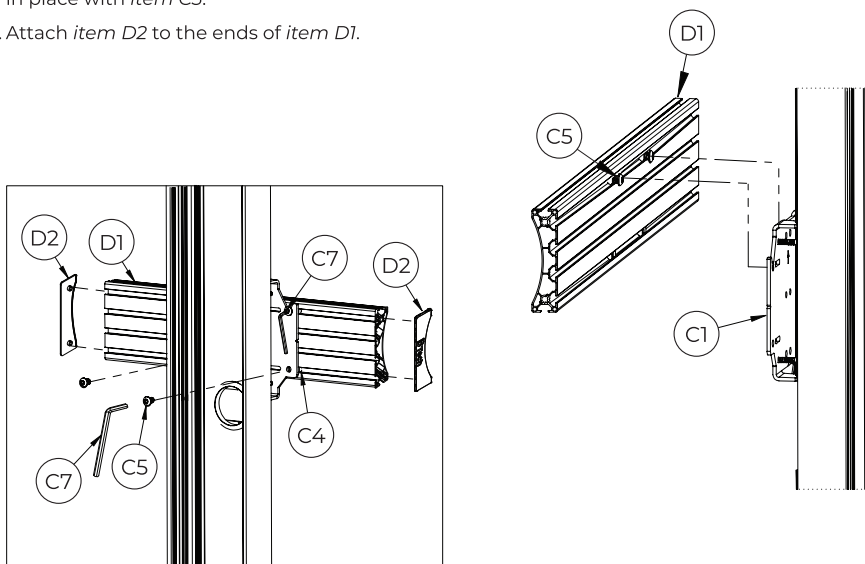
6. Hook Rail Onto Mounting Bracket

- i. Insert 4 x *item C4* into *item D1* (2 in the top channel, 2 in the bottom channel).
- ii. Screw 2 x *item C5* into *item C4* in the top channel - allow at least a 6mm gap so the rail can be hooked on to *item C1*.



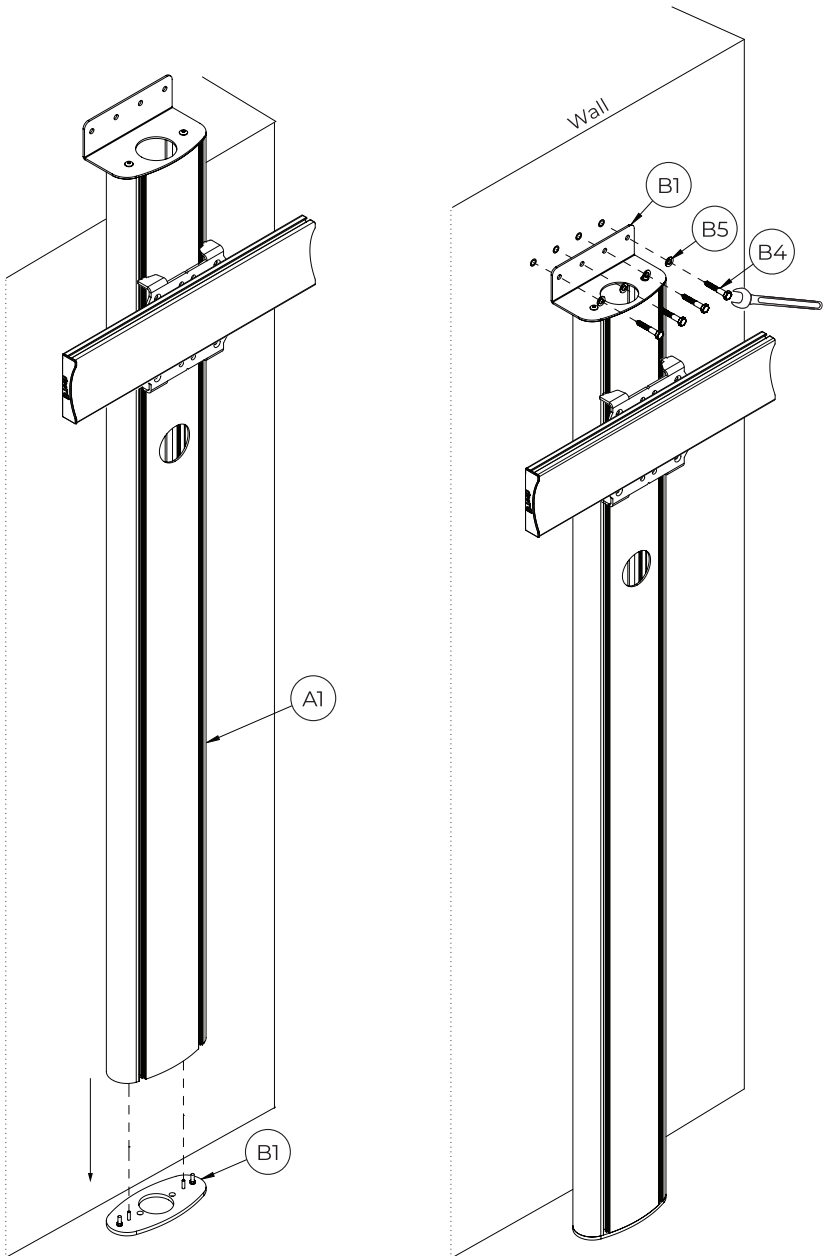
iii. Hook *item D1* onto *item F1* and fix with in place with *item C5*.

iii. Attach *item D2* to the ends of *item D1*.



7. Fix Column To Wall

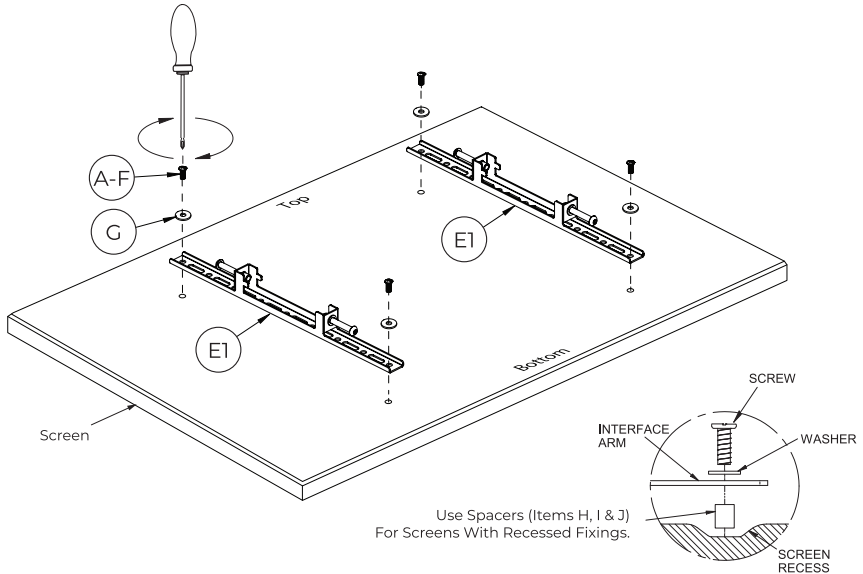
Place item A1 onto item B2 and fix item B1 to the wall using items B4 & B5.



8. Attach Interface Arms To Screen

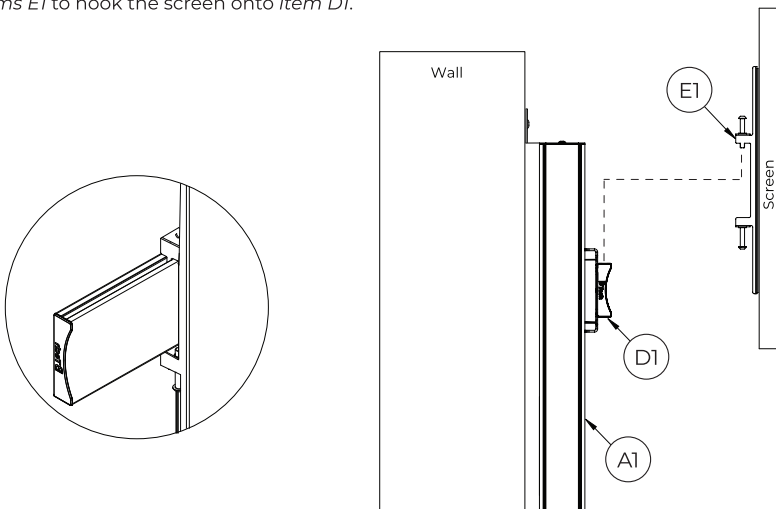
Fix *item E1* to the rear of the screen using *items A - J*.

Note: Ensure the arms are facing the correct way round and the same holes are used on both arms.



9. Hook Screen Onto Rail

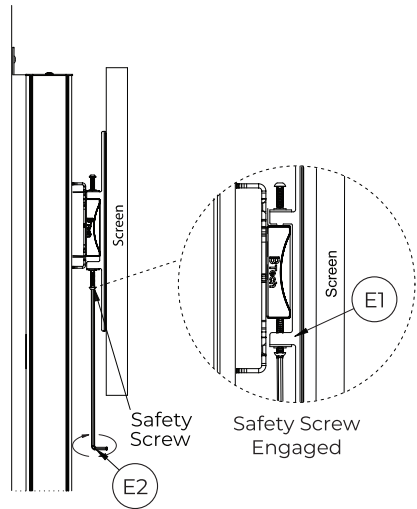
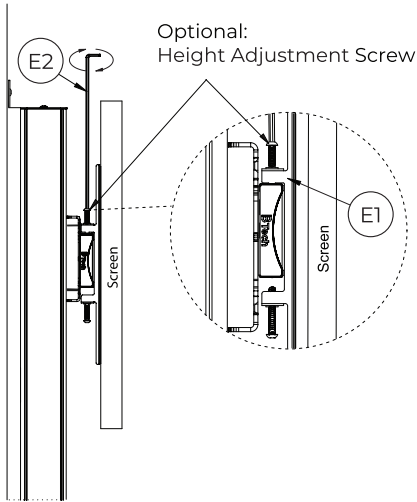
Use *items E1* to hook the screen onto *item D1*.



10. Level Screen And Lock Onto Rail

Optional: If necessary, adjust the height adjustment screws on top of *item E1* to level the screen.

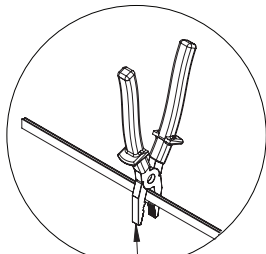
Tighten the safety screws on the bottom of *item H1* securing the screen to *item D1*.



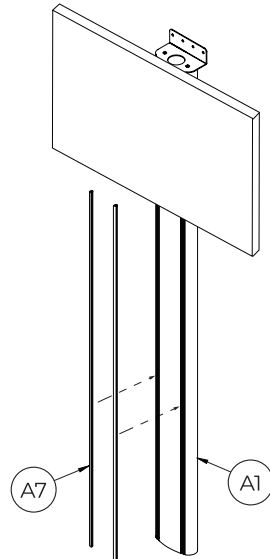
11. Attach Strips

Insert *item A7* to the front and back of *item A1*.

Note: *Item A7* may have to be cut down to size to be able to fit into the front of *item A1*.

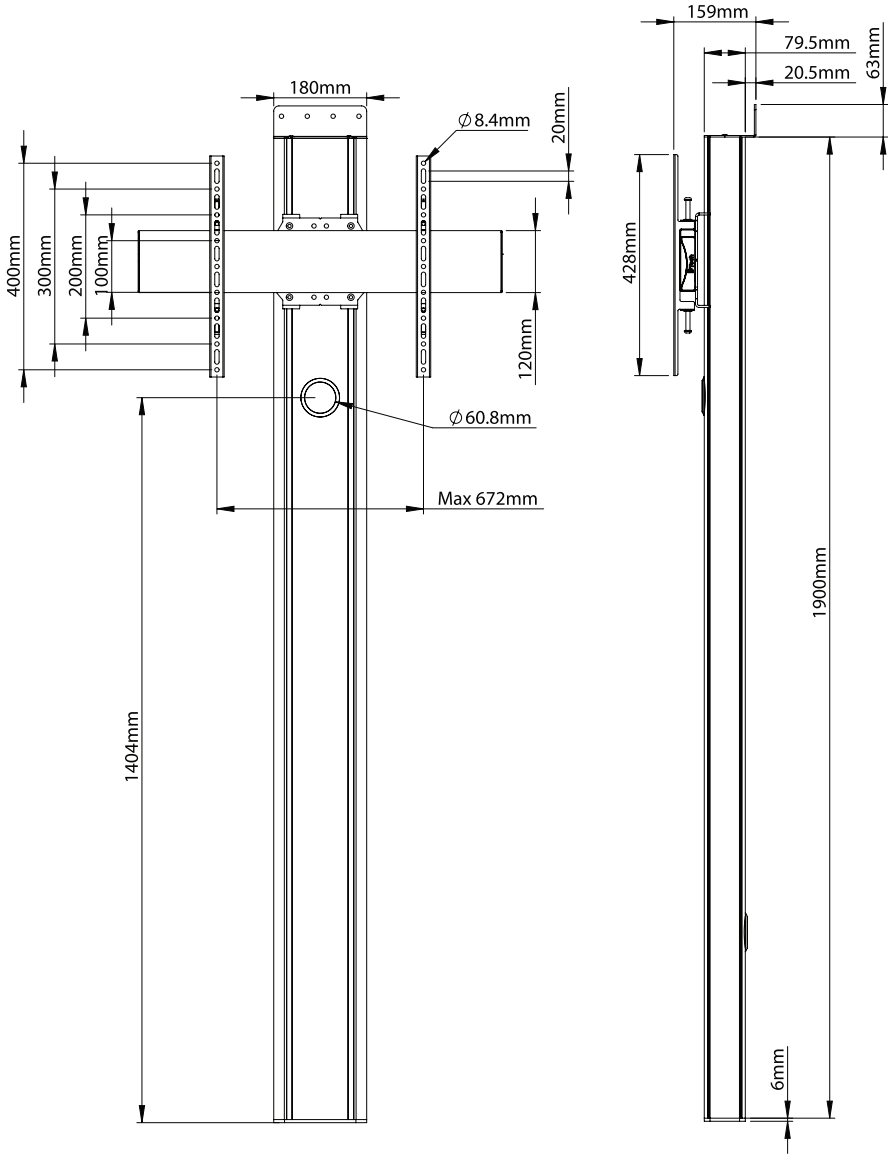


Use Pliers to cut *item A7*
to correct size



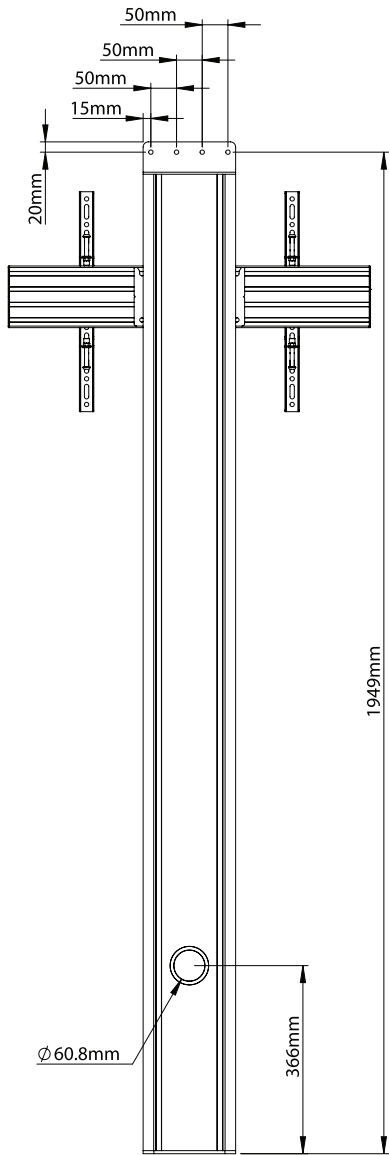
BT8701 Dimensions

Please keep this for future reference

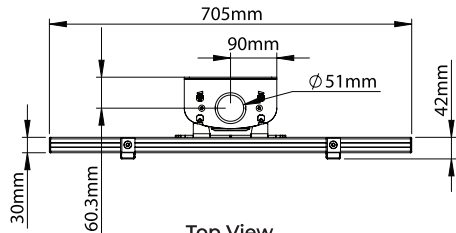


Top View

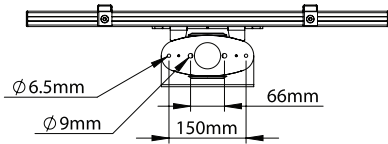
Side View



Rear View



Top View



Bottom View

BT8701

Contact: info@btechavmounts.com

©2025 B-Tech AV Mounts Corporation Ltd. All rights reserved.

B-Tech AV Mounts is a division of B-Tech AV Mounts Corporation Ltd.

B-Tech AV Mounts and the B-Tech logo are registered trademarks.

All B-Tech images and symbols are exclusive property of B-Tech AV Mounts Corporation Ltd.

All other brands and product names are trademarks of their respective owners.

Any reproduction, retransmission or republication of any part of this manual is strictly prohibited,

unless prior written permission has been granted by B-Tech AV Mounts Corporation Ltd.

Photographs are for illustrative purposes only. E&OE

AMA-BT8701-V2.2-0226-BTECH Made in the P.R.C.

