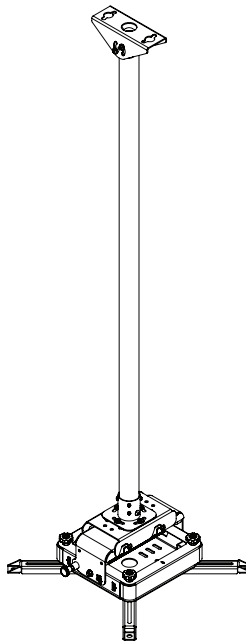


Fixed Drop Heavy Duty Projector Ceiling Mount With Micro-Adjustment

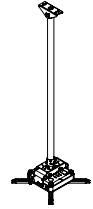
Installation Guide



- Max load: 70kg (154lbs)
- Tilt: + 20° / - 10° (+/- 5° with micro-adjustment)
- Yaw (pole mounted): +/- 45° · Roll: +/- 5°
- Adjustable ceiling plate suitable for angled ceilings
- Max distance (between projector fixings): 873mm (34.4")
- Suitable for projectors using M6, M8, M10 and M12 fixings
- Integrated cable management

	Max Load	Micro Adjustment			
	 70kg (154lbs)				
Yaw	 45°	Pitch	 -10° +20°	Roll	 5° 5°

Installation Safety Notes	2
Parts List	4
Installation Instructions	6
Product Dimensions	16
B-Tech Contact Details	20



Installation Safety Instructions



Caution: This mount is intended for use only with the maximum weights indicated. Use with equipment heavier than the maximum indicated may result in instability causing possible injury.

Do not attempt to install this product until all instructions and warnings have been read and properly understood. *Please keep these instructions for future reference.*

Please check carefully to make sure there are no missing or defective parts - defective parts must never be used. B-Tech AV Mounts, its distributors and dealers are not liable or responsible for damage or injury caused by improper installation, improper use or failure to observe these safety instructions. In such cases, all guarantees will expire.

General

B-Tech AV Mounts recommends that a professional AV installer or other suitably qualified person install this product. Great care must always be taken during installation as most AV equipment is of a fragile nature, possibly heavy and easily damaged if dropped. If you do not fully understand the instructions or are not sure how to install this product safely, then please consult a professional for advice and/or to install this product for you. Failure to mount this product correctly may cause serious injury or death both during installation and at any time thereafter. Do not mount any AV equipment that exceeds the specific weight limit of the product you are installing. This weight limit will be clearly stated on each product and its packaging and will vary from product to product.

Product location

Please pay careful attention to where this product is located. Check load capacity of the ceiling prior to installation as some surfaces are not suitable for installation. Designed for indoor use, this mount is suitable for public or home installation if located in a public or frequently populated area ensure that the product is out of the immediate reach of people. If any AV equipment is to be suspended over the likely path or location of people then great care should be taken to secure all parts of the installation from falling. When drilling holes it is essential to avoid contact with electrical cables and water or gas pipes contained within. Use of a good quality live wire detector and hidden object locator is therefore recommended. Only drill into structures when you are sure it is safe to do so.

Fixing hardware

It is highly recommended that all fixing screws be used where supplied and that the purpose of all other fixing hardware is fully understood. In some cases more AV equipment fixing hardware will be supplied to accommodate different models of equipment and set up configurations. The installer must be satisfied that any supplied fixing hardware is suitable for each specific installation. The fixing kit supplied with the product may not be suitable for all walls. If any fixing screws or included hardware are deemed not sufficient for a safe installation then please consult a professional or your local hardware store. When drilling holes it is essential to avoid contact with electrical cables and water or gas pipes contained within. Use of a good quality live wire detector and hidden object locator is therefore recommended. Only drill into structures when you are sure it is safe to do so.

Hazard limitation

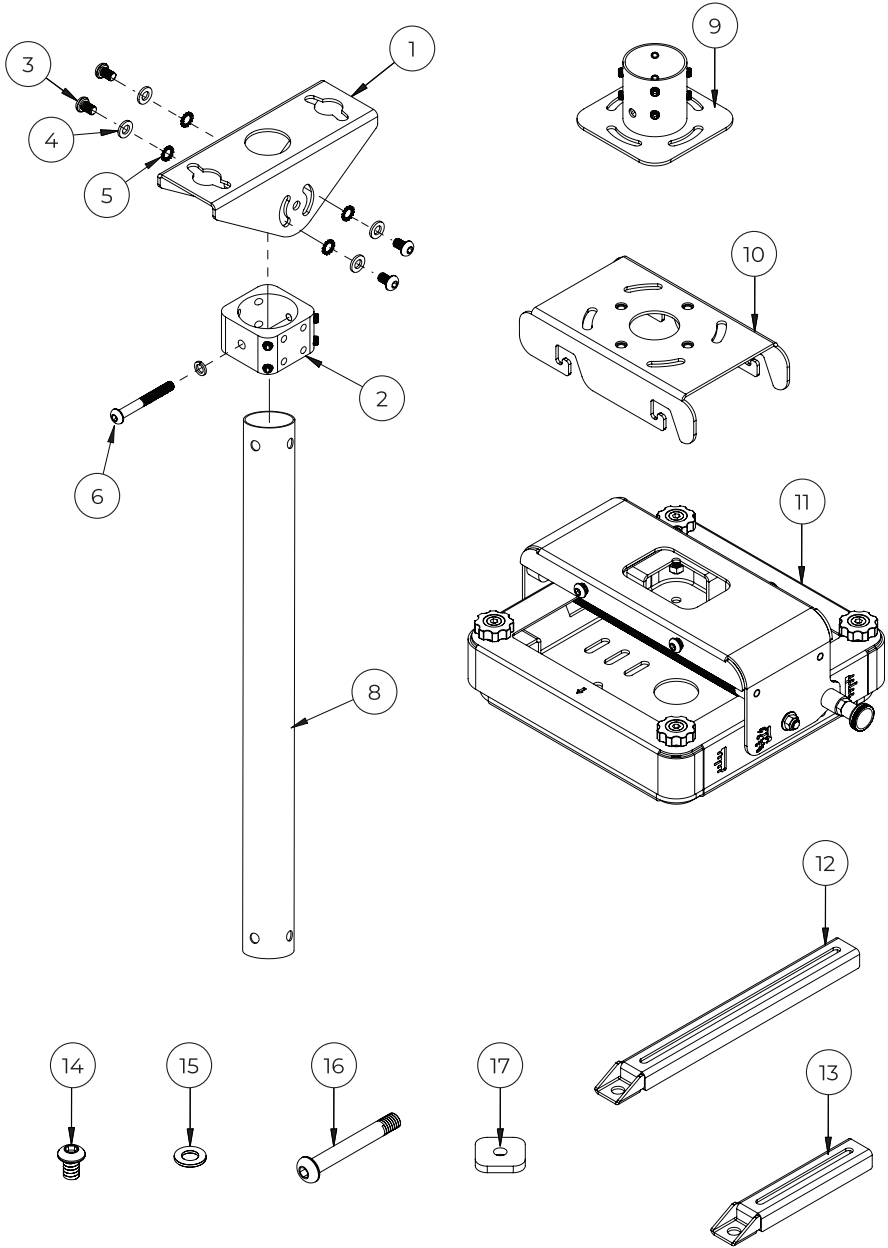
When routing cables take advantage of any built in cable management features that the product might provide and ensure that all cables are tidy and secure. Check to see that any moving aspect of the product can do so unhindered by any cabling. Some products have moving parts and the potential to cause injury through the crushing or trapping of fingers or other body parts. Particular attention to the nature of moving parts is required especially when assembling installing and adjusting during set up. Immediately after installation double-check that the work done is safe and secure. Double-check all necessary fixings are present and are of ample tightness. It is recommended that periodic inspections of the product and its fixing points are made as frequently as possible (no more than 6 months apart) to ensure that safety is maintained. If in doubt consult a professional AV installer or other suitably qualified person.

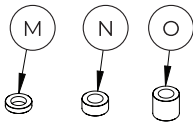
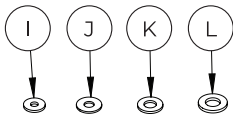
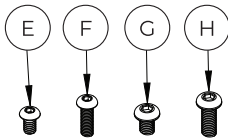
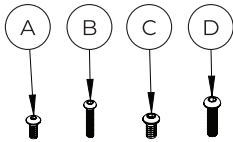
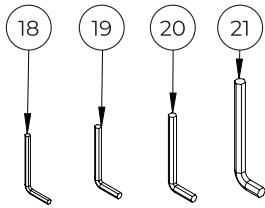
- CN B-Tech AV Mounts 建议本产品由专业AV安装人员或其他合格人员安装。B-Tech AV Mounts 及它的代理商、经销商不对由于不恰当的安装而造成的损失或伤害负责。本产品必须安装在合适的架构上，并仅用于不超过所标示的最大承重。
- CS Spoločnosť B-Tech AV Mounts doporučuje previesť instaláciu tohto produktu inštalátora AV či inak spôsobilé osoby. Spoločnosť B-Tech AV Mounts a predajci distribútor a predajci nenesou zodpovednosť za škody spôsobené nesprávnou alebo zranením spôsobenou nevhodnou inštaláciou. Tento výrobok je nutné umiestniť do vhodnej konštrukcie a používať ju po uvedenej maximálnej výške.
- DE B-Tech AV Mounts empfiehlt, dass dieses Produkt durch einen qualifizierten AV-Techniker oder eine andere Person mit geeigneter Qualifikation installiert wird. B-Tech AV Mounts, ihre Distributoren und Händler können nicht für durch fehlerhafte Montage verursachte Beschädigung oder Verletzung haftbar bzw. verantwortlich gemacht werden. Dieses Produkt muss auf einem geeigneten Untergrund montiert werden und darf nur bis zum angegebenen Höchstgewicht verwendet werden.
- EN B-Tech AV Mounts recommends that this product be installed by a qualified AV technician or other suitably qualified person. B-Tech AV Mounts, its distributors and dealers are not liable or responsible for damage or injury caused by improper installation, improper use or failure to observe these safety instructions. In such cases, all guarantees will expire. This product must be mounted on a suitable surface and may only be used up to the specified maximum weight.
- ES B-Tech AV Mounts recomienda que un instalador de audio y video profesional u otra persona debidamente cualificada instalen este producto. B-Tech AV Mounts, sus distribuidores y concesionarios no se hacen cargo ni se responsabilizan de ningún daño o lesión provocados por una instalación inapropiada. Este producto se debe montar en una estructura adecuada y se debe utilizar soportando solamente hasta el peso máximo indicado.
- FR B-Tech AV Mounts recommande de confier l'installation de ce produit à un installateur AV professionnel ou à une autre personne dûment qualifiée. B-Tech AV Mounts, ses distributeurs et ses revendeurs ne sauraient être tenus responsables de tout dégât ou de toute blessure résultant d'une installation incorrecte. Ce produit doit être monté sur un support approprié et utilisé dans la limite du poids maximum indiqué.
- IT B-Tech AV Mounts consiglia di affidare l'installazione di questo prodotto a un installatore specializzato o ad altra persona adeguatamente qualificata. B-Tech AV Mounts, i suoi distributori e rivenditori non accettano alcuna responsabilità nei riguardi di eventuali danni o infortuni causati da un'errata installazione. Questo prodotto deve essere fissato a una struttura idonea e utilizzato unicamente sino al peso massimo indicato.
- JP B-Tech AV Mounts はAV設置の専門家または適合した知識を備えた人が製品を設置することを推奨します。B-Tech AV Mountsと販売店、取引先はこうした安全指針に従わない場合に随伴される製品の損傷や傷害に対する責任を負いません。場合によって製品が設置されるに適していないところもあるので設置位置に特別な注意を傾けてください。この製品の位置に注意を傾けて設置に適していない壁があるかを確認してください。指定した重さ制限を超過するAV装備を装着しないでください。
- KR B-Tech AV Mounts 는 AV 설치 전문가 또는 적합한 지식을 갖춘 사람이 제품을 설치하도록 권장합니다. B-Tech AV Mounts 와 판매점, 거래처는 이러한 안전 지침을 따르지 않을 경우 수반될 제품의 손상이나 상해에 대한 책임을 지지 않습니다. 경우에 따라 제품이 설치되기에 적합하지 않은 곳들도 있으므로 설치 위치에 특별한 주의를 기울여 주시기 바랍니다. 제품의 설치 위치에 주의를 기울여 확인하십시오. 지정된 무게 제한을 초과하는 AV 장비를 장착하지 마십시오.
- NL B-Tech AV Mounts adviseert om dit product te laten installeren door een professionele AV-instalateur of andere hiervoor gekwalificeerde persoon. B-Tech AV Mounts, haar distributeurs en dealers zijn niet aansprakelijk of verantwoordelijk voor schade of letsel die is veroorzaakt door onoordeelkundige installatie. Dit product moet worden gemonteerd aan een geschikte constructie, waarbij het aangegeven maximum gewicht niet mag worden overschreden.
- PL Firma B-Tech AV Mounts zaleca, aby ten produkt był instalowany przez profesjonalnych instalatorów AV lub inny odpowiednio przeszkolony personel. Firma B-Tech AV Mounts, jej dystrybutorzy i dealerzy nie ponoszą odpowiedzialności za uszkodzenia lub obrażenia ciała powstałe w wyniku nieprawidłowej instalacji. Niniejszy produkt musi być amontowany na odpowiedniej powierzchni, a podczas użytkowania nie wolno przekraczać podanego maksymalnego obciążenia.
- PT A B-Tech AV Mounts recomenda que a instalação deste produto seja efectuada por um instalador de AV instalador de AV profissional ou outra pessoa devidamente habilitada. A B-Tech AV Mounts e os seus distribuidores e concessionários não são responsáveis por danos ou lesões causados por uma instalação incorrecta. Este produto tem de ser montado numa estrutura adequada e utilizado somente até ao peso máximo indicado.
- RU Компания B-Tech AV Mounts рекомендует, чтобы установка данного изделия производилась инженером по установке аудио-видеотехники или другим специалистом с соответствующей квалификацией. Компания B-Tech AV Mounts ее дистрибьюторы и дилеры не несут ответственности за повреждения или травмы, полученные в результате неправильной установки.

توصي بي-تيك للتجارة الدولية المحدودة بأن شخص محترف في تركيب ال AV أو شخص مؤهل تأهيلا مناسباً لتركيب هذا المنتج. بي-تيك للتجارة الدولية، موزع عليها والتجار ليست عرضة أو مسؤولة عن الأضرار أو الإصابات الناجمة عن تركيب غير سليم، والاستخدام غير السليم أو عدم مراعاة هذه التعليمات السلامة. يجب أن يتم تركيب هذا المنتج في بنية مناسبة ويجب استخدامه فقط لدعم الحد الأقصى للوزن المشار إليه.

BT893-FD Parts List

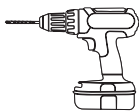
Please keep this for future reference





Installation Tools Required

Drill
Masonry bit or Wood bit



Pencil Spanner



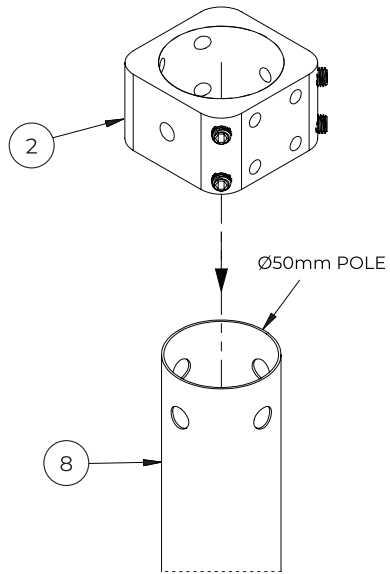
Item	Description	Qty
1	Ceiling Pole Mount	1
2	Ø50mm Collar	1
3	M8 x 12mm Screw	4
4	M8 Washer	4
5	M8 Lock Washer	4
6	M8 x 65mm Safety Bolt	1
7	M8 Spring Washer	1
8	Ø50mm Extension Pole	1
9	Pole Adaptor	1
10	Adaptor Mount	1
11	Projector Mount	1
12	Long Leg	4
13	Short Leg	4
14	M8 x 12mm Screw	16
15	M8 Washer	4
16	M8 x 60mm Screw	1
17	Square Nut	12
18	4mm Hex Key	2
19	5mm Hex Key	2
20	6mm Hex Key	1
21	8mm Hex Key	1
Item	Interface Kit	Qty
A	M6 x 16mm Screw	6
B	M6 x 30mm Screw	6
C	M8 x 16mm Screw	6
D	M8 x 30mm Screw	6
E	M10 x 16mm Screw	6
F	M10 x 30mm Screw	6
G	M12 x 16mm Screw	6
H	M12 x 30mm Screw	6
I	M6 Washer	6
J	M8 Washer	6
K	M10 Washer	6
L	M12 Washer	6
M	M12 x 5mm Spacer	6
N	M12 x 10mm Spacer	6
O	M12 x 20mm Spacer	6

Suitable for loads up to 70kg (154lbs)

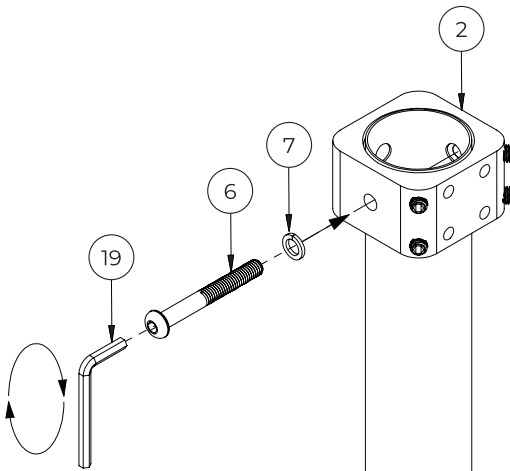
Installation Instructions

1. Attach Ceiling Mount To Pole

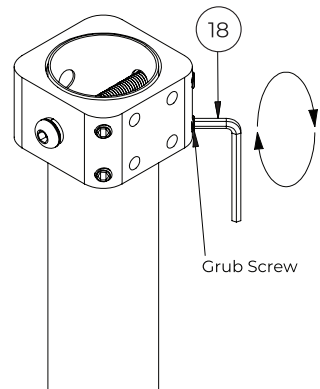
- i. Place *item 2* onto the top of *item 8*.



- ii. Secure *item 2* to *item 8* using *items 6 and 7*.

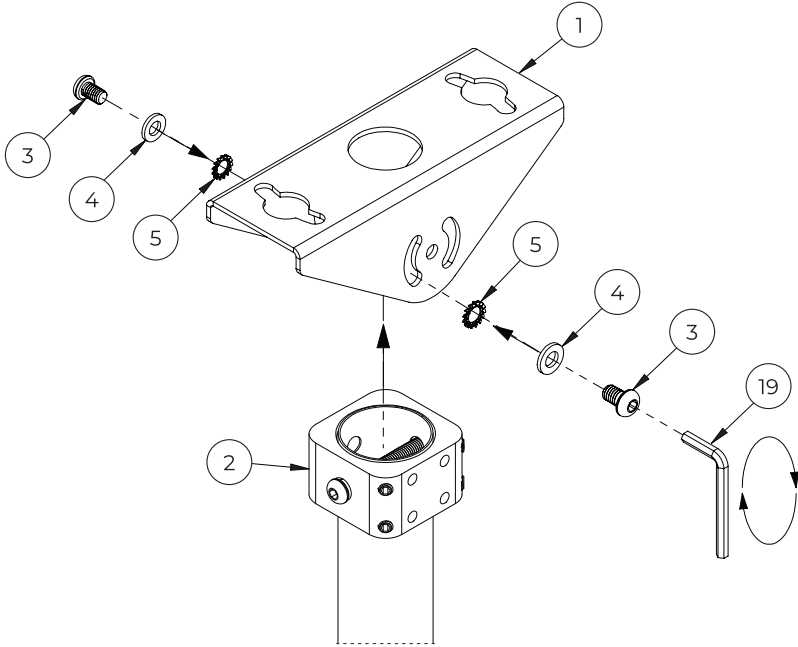


- iii. Tighten the grub screws evenly on *item 2*.

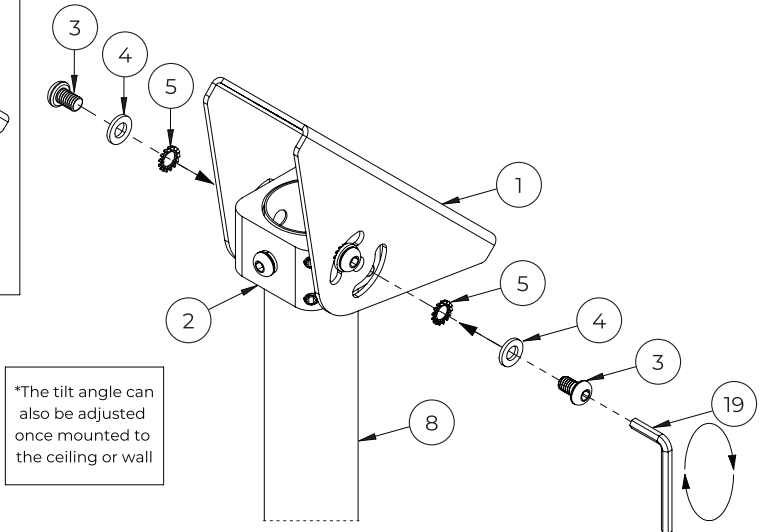
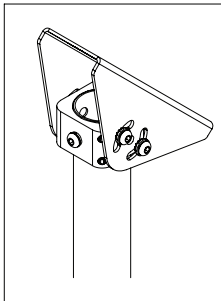


iv. Fit items 2 & 8 to item 1 using items 3, 4 & 5.

Note: Set the required ceiling tilt angle when fitting item 2 to item 1*.



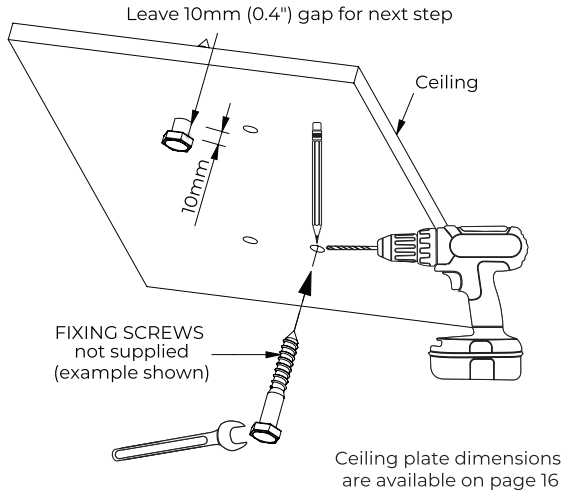
v. Fix item 1 in place on item 2 using items 3, 4 & 5.



*The tilt angle can also be adjusted once mounted to the ceiling or wall

2. Mounting The Ceiling Plate To Ceiling / Wall

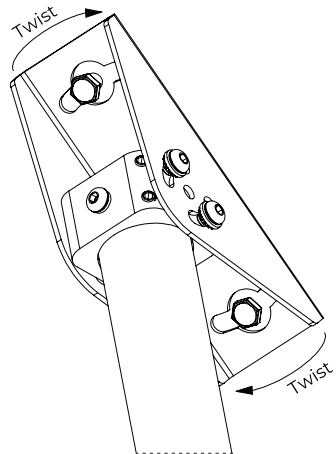
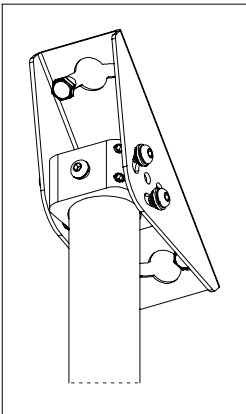
- i. Pre drill holes for ceiling/wall fixings (not supplied).
- ii. Assemble two fixing screws in place, corner to corner leaving a 10mm (0.4") gap between the screw head and ceiling.



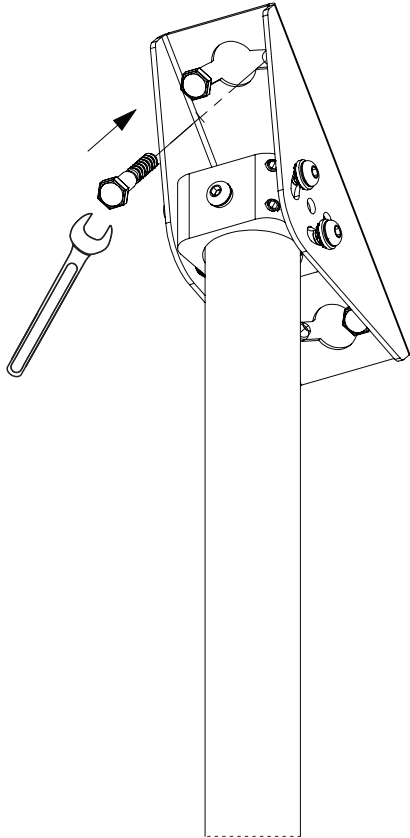
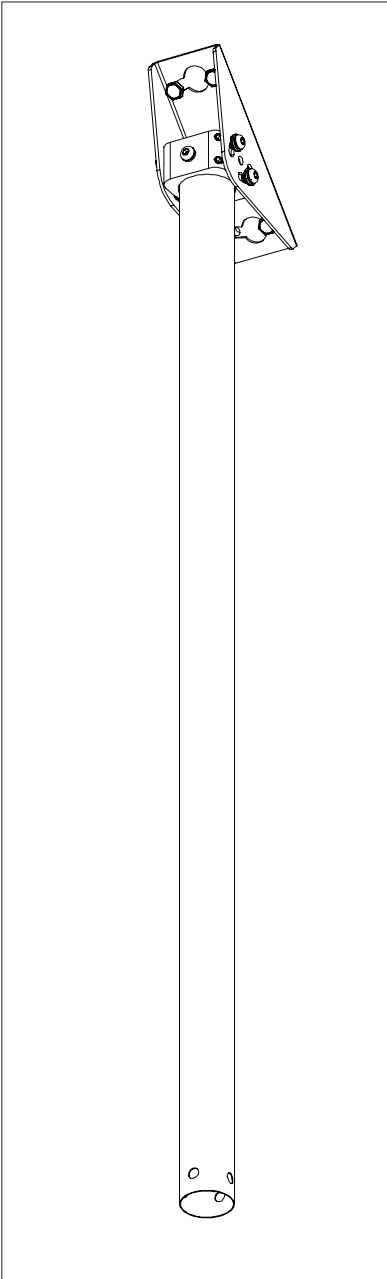
⚠ IMPORTANT ⚠

Fixing screws are not included with this product. B-Tech highly recommends this product be installed by a suitably qualified person. The installer must be satisfied that the types of fixings used are suitable for the type of ceiling the product is to be mounted to. Care must be taken as to where this product is located, as some ceilings and walls are not suitable for installation. When drilling holes, knowledge must be obtained to avoid contact with any electrical cables and/or gas and water pipes contained within the ceiling or walls.

- iii. Hook the ceiling plate onto the fixing screws and twist into position.



iv. Assemble the remaining two fixings to secure the ceiling plate

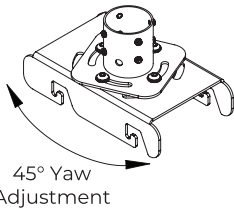
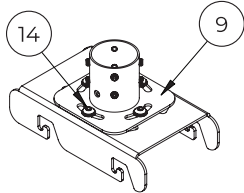


3. Attach Pole Adaptor Mount To Ceiling Mount

- i. Fix *item 9* to *item 10*.

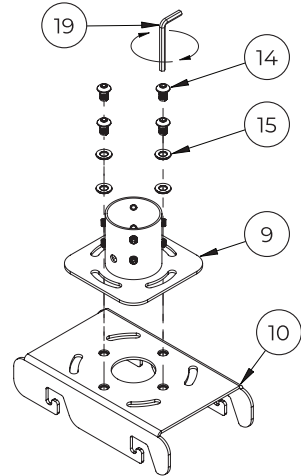
Note: If a shorter ceiling drop is required, *item 10* can be mounted directly to the ceiling.

To use yaw adjustment on *item 9*, loosen 4 x *item 10* by 1 turn. Ensure screws are tightened fully after adjustment has been made.



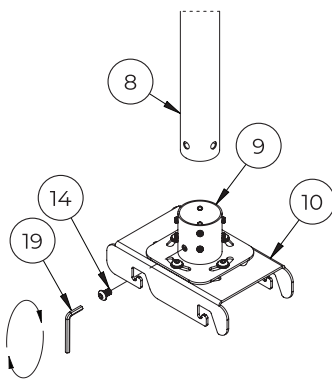
WARNING!

Do not completely unscrew *item 14*. Mounting hardware is to be loosened only enough to allow for necessary movement.



- ii. Insert *item 8* into *item 9* and secure in place using *item 16*. Tighten grub screws using *item 18*.

NOTE: *Item 16* can be replaced with *item 14* to prevent cables being obstructed.

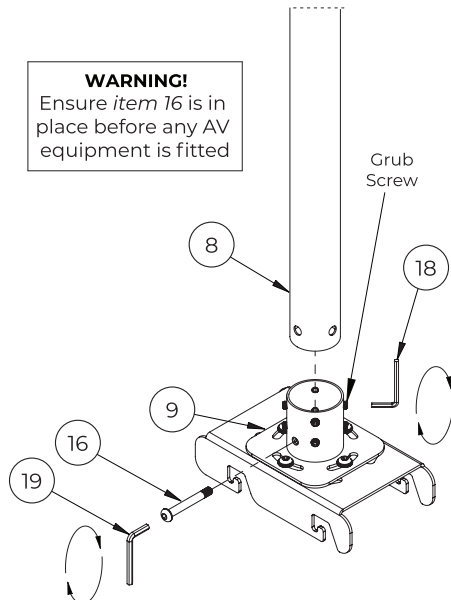


WARNING!

Ensure *item 14* is in place before any AV equipment is fitted

WARNING!

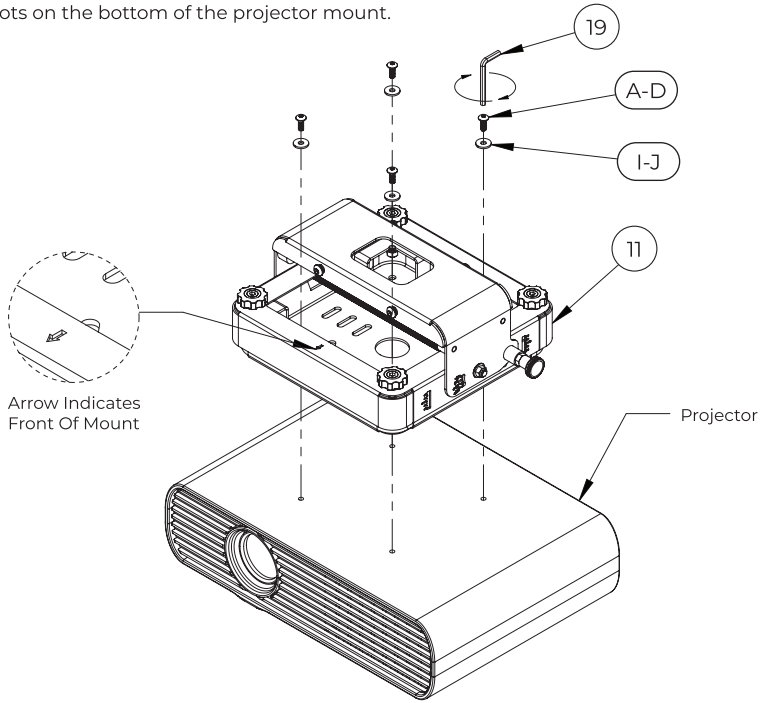
Ensure *item 16* is in place before any AV equipment is fitted



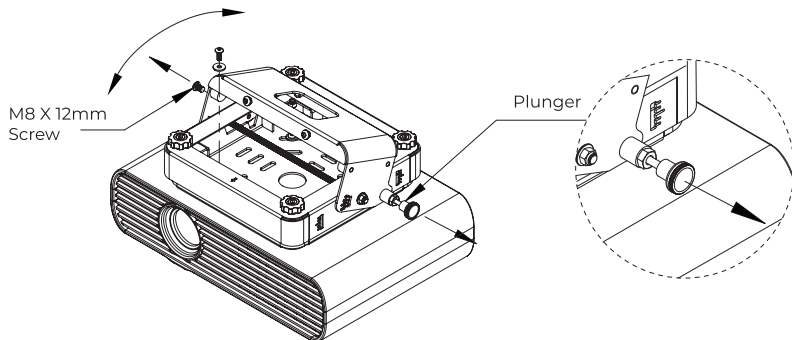
4. Attach Projector Mount To Projector

- A. Attach *item 7* directly to the projector using screws from the interface kit (*items A - D & I - J*).

Fix mount by using suitable holes and / or slots on the bottom of the projector mount.



Note: The tilt adjustment feature can be used to help access fixing holes. Remove the M8 x 12mm screw as shown and pull the plunger to change tilt adjustment.



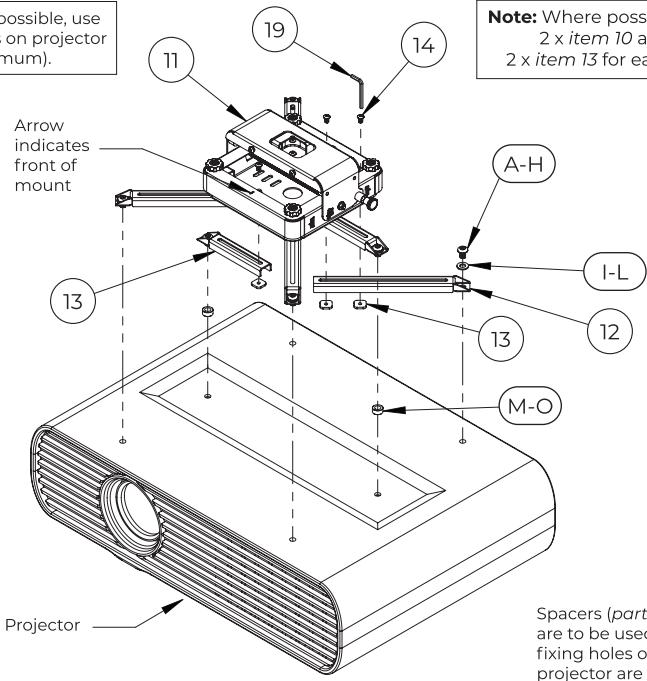
B. Using legs,

Attach *items 8 &/or 9* to *item 7* using *items 14 & 17*.

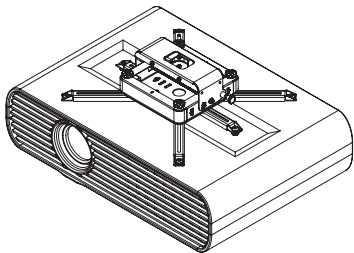
Fix legs to the projector using fixings from the interface kit (*items A - O*).

Note: Where possible, use all fixing holes on projector (4 minimum).

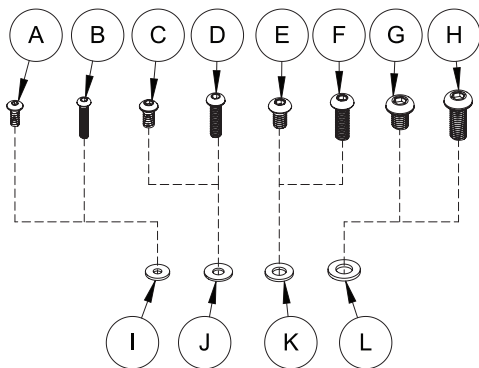
Note: Where possible, use 2 x *item 10* and 2 x *item 13* for each leg.



Projector Mount attached to projector using 4 long legs and 2 short legs:



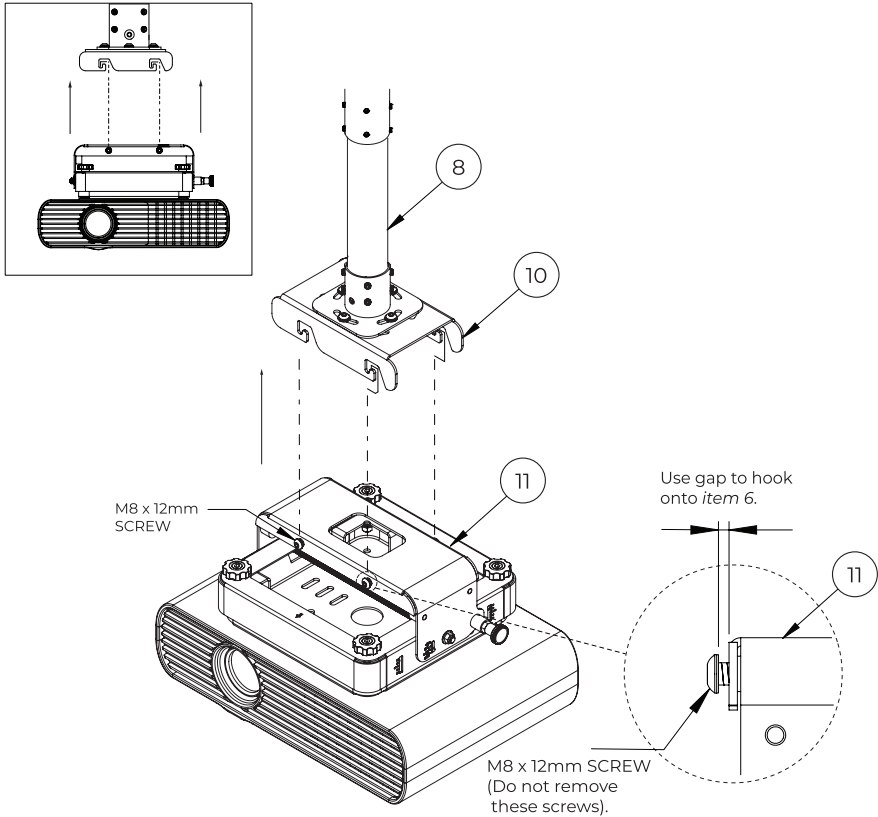
Interface Screws



5. Hook Projector Mount Onto Ceiling Mount

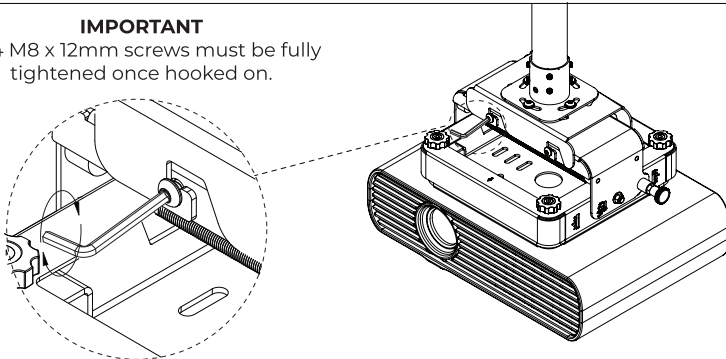
Hook the 4 M8 x 12mm screws (attached to *item 11*) into the 4 hooks on *item 10*.

Fully tighten all 4 screws once hooked on.



IMPORTANT

All 4 M8 x 12mm screws must be fully tightened once hooked on.



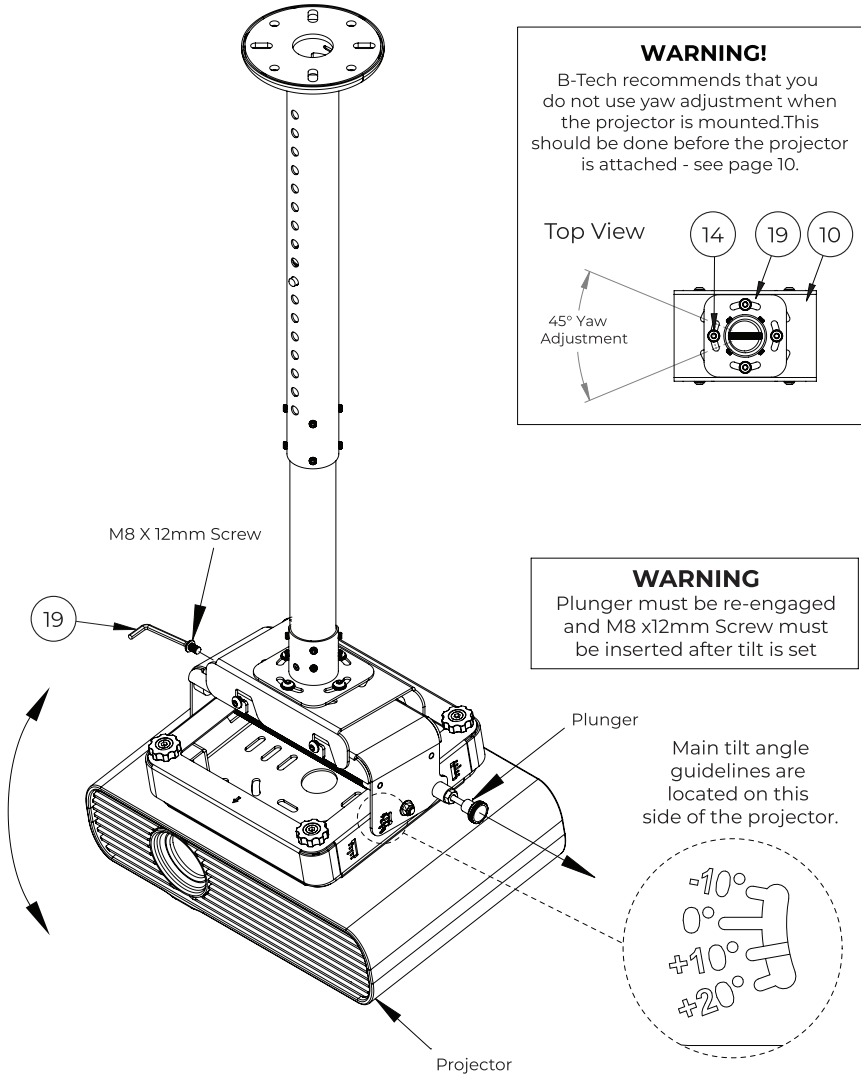
6. Set Adjustments

A. Set main tilt angle adjustment
(-10° / +20°)*.

*An +/-5° additional tilt is available when the micro-adjustment is used.

Remove M8 x 12mm screw.

Hold projector steady, pull plunger to disengage and change tilt. When desired tilt is reached, ensure plunger is fully engaged and replace M8 x 12mm screw.



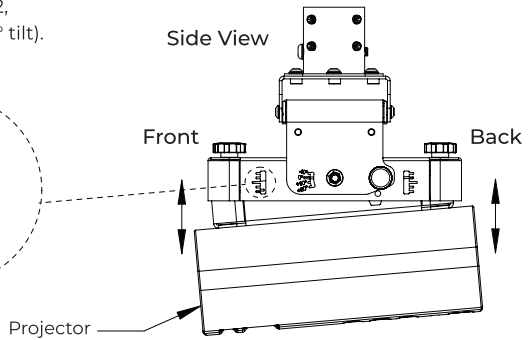
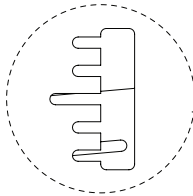
B. Micro-adjust the projector tilt / roll angle (+/-5° tilt / +/-5° roll).

Turn handwheels clockwise to raise, or anti-clockwise to lower projector.

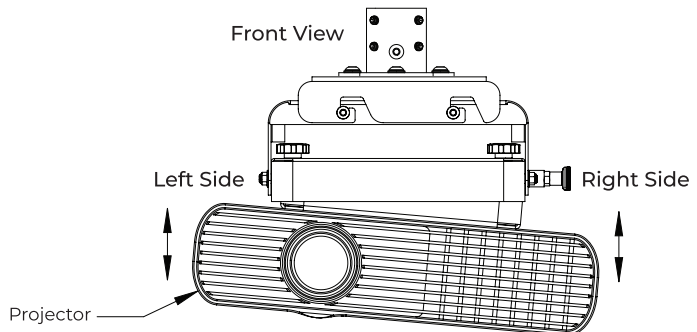


i. Micro-adjust the tilt using either the front 2, or back 2 handwheels simultaneously (+/-5° tilt).

Micro-adjustment tilt / roll guidelines are located on the sides of the projector mount.

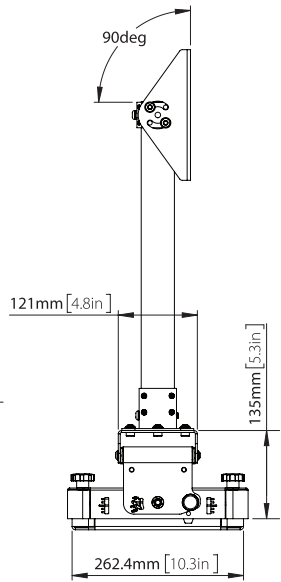
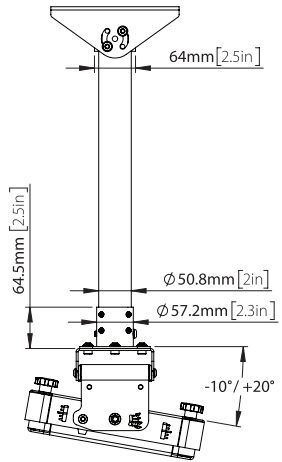
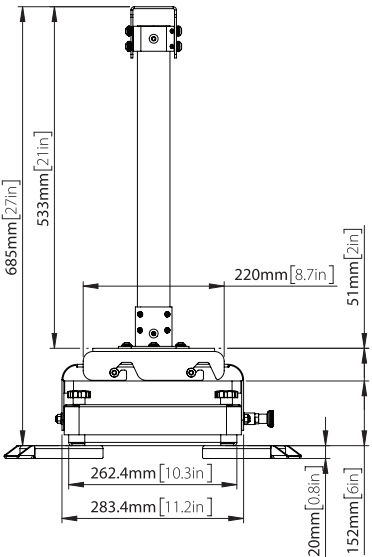
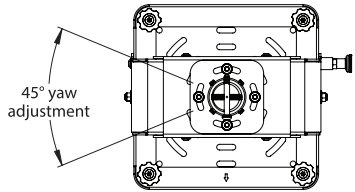
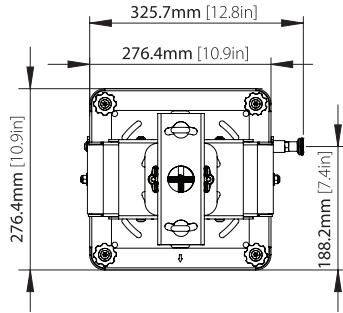
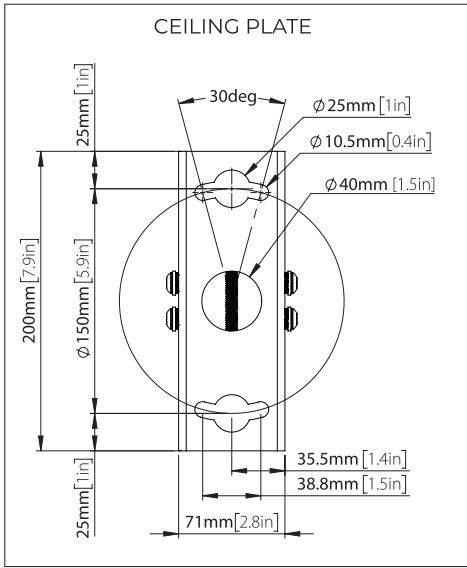


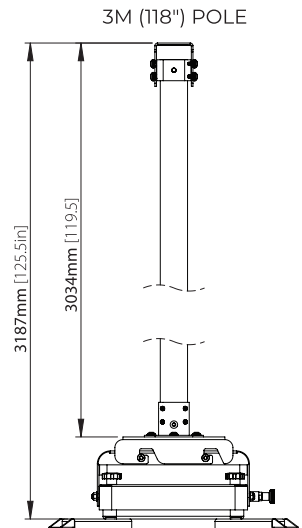
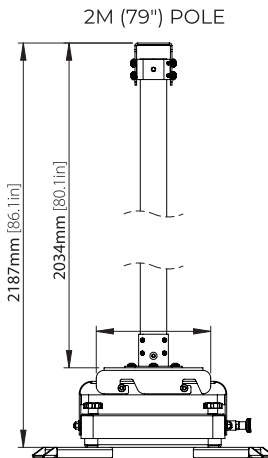
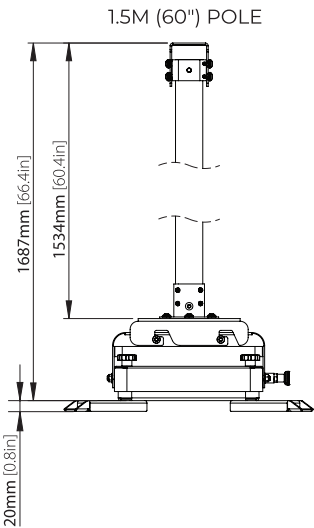
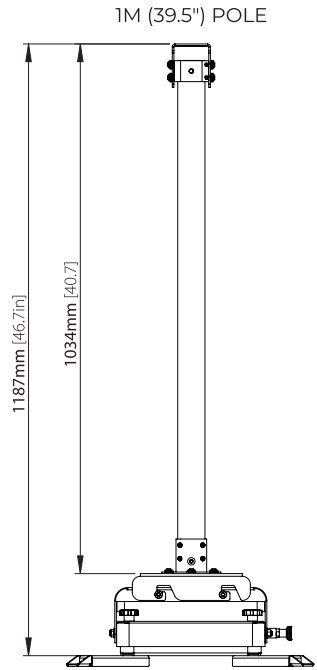
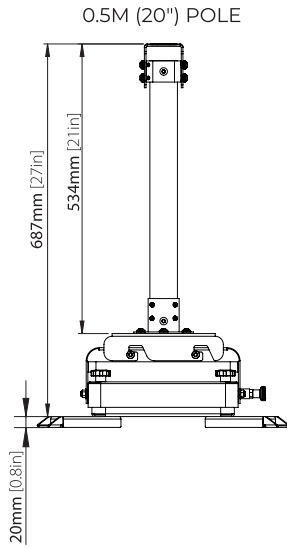
ii. Micro-adjust the roll using either the left 2, or right 2 handwheels simultaneously (+/-5° roll).



BT893-FD Dimensions

Please keep this for future reference

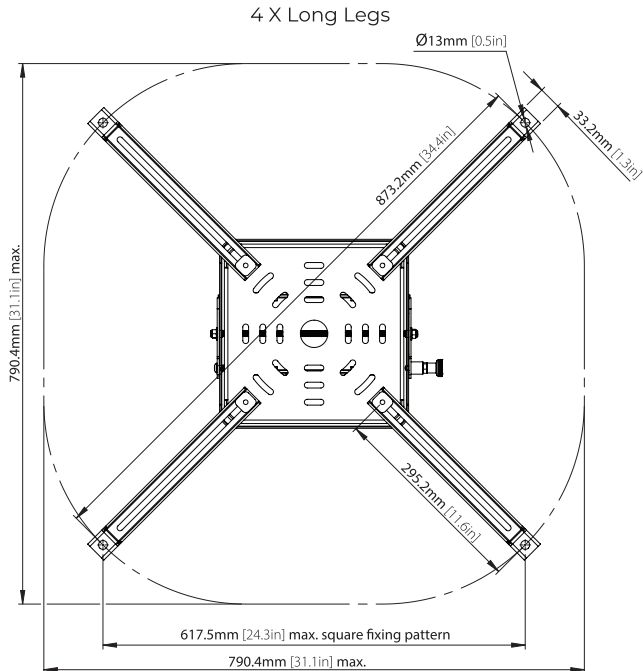
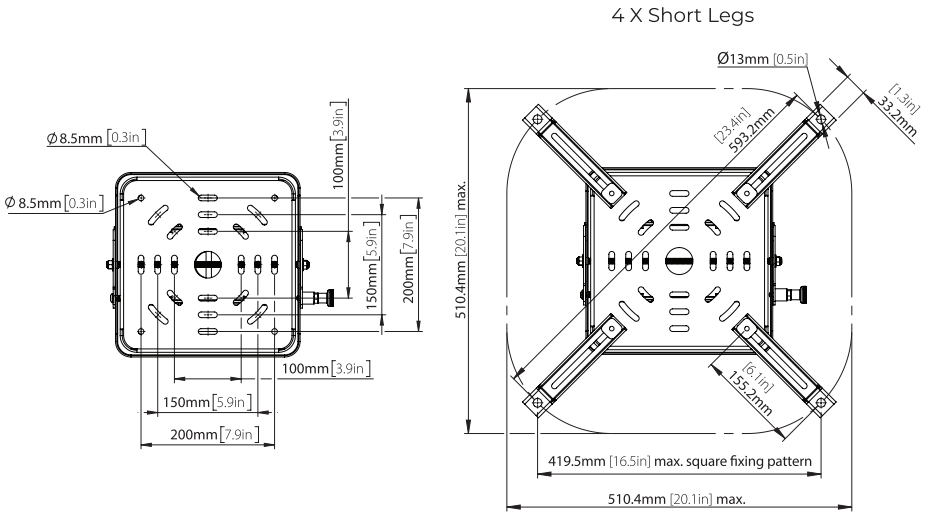




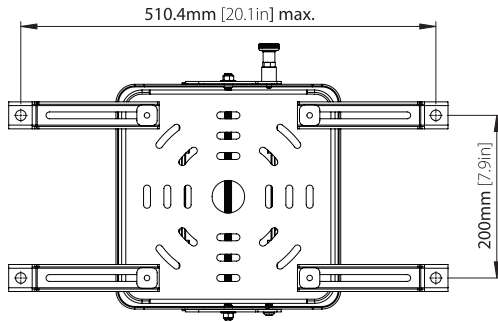
These instructions are intended as a guide only and B-Tech accepts no liability for the accuracy of the information contained in this document.

BT893-FD Dimensions

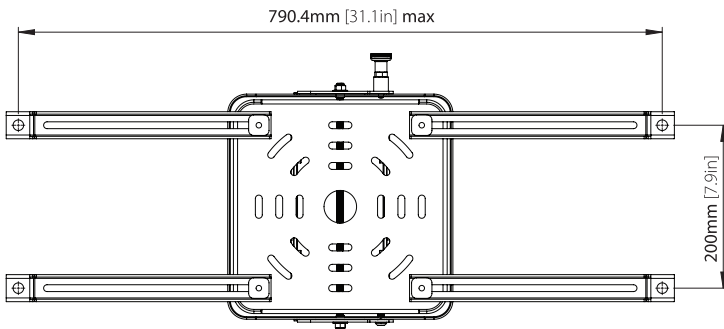
Please keep this for future reference



4 X Short Legs



4 X Long Legs



Contact: info@btechavmounts.com

©2025 B-Tech AV Mounts Corporation Ltd. All rights reserved.

B-Tech AV Mounts is a division of B-Tech AV Mounts Corporation Ltd.

B-Tech AV Mounts and the B-Tech logo are registered trademarks.

All B-Tech images and symbols are exclusive property of B-Tech AV Mounts Corporation Ltd.

All other brands and product names are trademarks of their respective owners.

Any reproduction, retransmission or republication of any part of this manual is strictly prohibited,

unless prior written permission has been granted by B-Tech AV Mounts Corporation Ltd.

Photographs are for illustrative purposes only. E&OE

AMA-BT893-FD-V3.1-0126-BTECH Made in the P.R.C.

