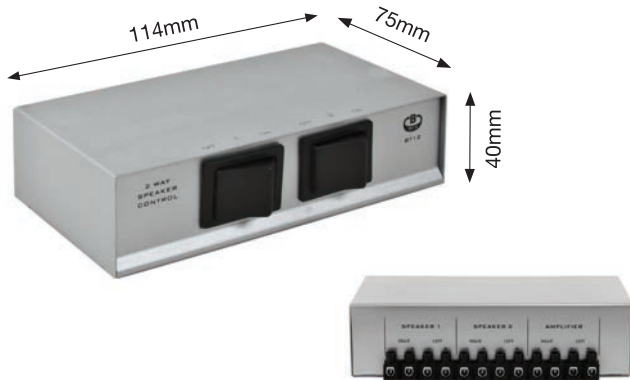


2-WAY SPEAKER SELECTOR SWITCH WITH SCREW TERMINALS

OPERATION GUIDE

This Pack Contains 1 Selector Switch

PLEASE KEEP THIS FOR FUTURE REFERENCE



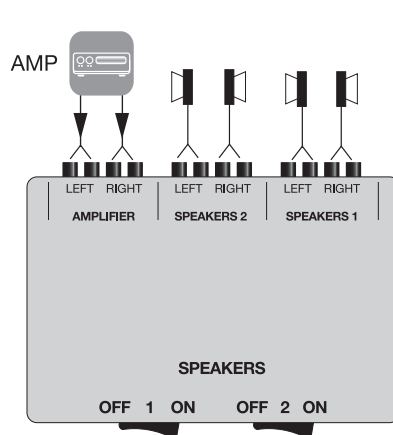
FEATURES

- Designed to allow the use of two pairs of speakers with one amplifier
- Speaker selector switches to play either pair of speakers or both at the same time
- Independent selector switches eliminate any cross speaker interference or volume loss
- Suitable for loudspeakers from 4ohms to 16ohms
- Accepts loudspeaker cable up to 2.5mm² diameter
- 150 watts RMS per channel rating
- Screw terminals for a strong connection
- Strong, stylish metal casing

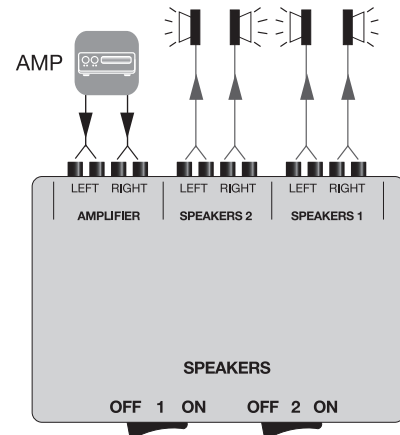
OPERATIONAL EXAMPLES

GENERAL INFORMATION

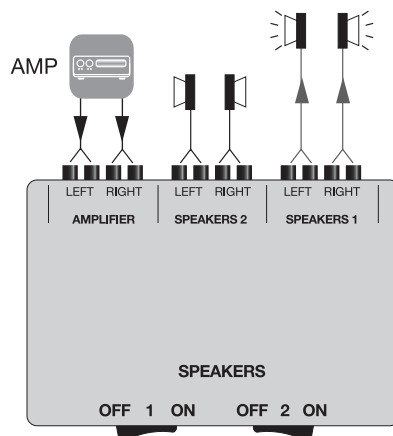
For equipment protection, the circuitry in this unit ensures that the load presented to the amplifier will not fall below that of the lowest impedance loudspeaker being used.



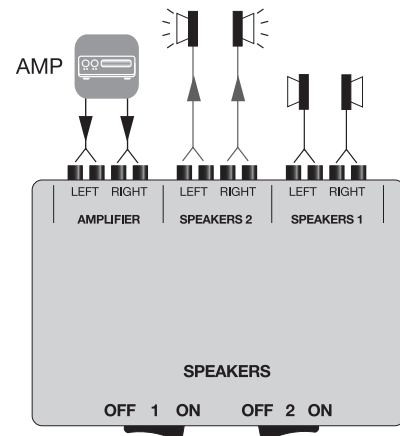
Both sets of speakers off



Both sets of speakers on



Speaker set 1 on / Speaker set 2 off



Speaker set 1 off / Speaker set 2 on

B-TECH INTERNATIONAL LTD

HEAD OFFICE

Bennett House, Long March, Daventry, Northants., NN11 4NR, UK

Email: info@btechavmounts.com

©2014 B-Tech International Limited. All rights reserved. B-Tech Audio Video Mounts is a division of B-Tech International Limited. B-Tech, Better By Design and Ventry are registered trademarks of B-Tech International Limited. All other brands and product names are trademarks of their respective owners. Photographs are for illustrative purposes only. E&OE. B-Tech International Ltd, its distributors and dealers are not responsible for damage or injury caused by improper installation, improper use, modifications, installations over the specified weight capacity and/or failure to observe these safety instructions. In such cases, any warranty will expire.

B-Tech does not claim any liability for any difficulties that may arise from the interpretation of information contained in these instructions.

Please check carefully to make sure there are no missing or defective parts - defective parts must never be used. In the event of missing and/or defective parts, or technical questions, please contact an authorised dealer.