



BT4041

60MM ACCESSORY COLLAR

PARTS LIST AND INSTALLATION INSTRUCTIONS

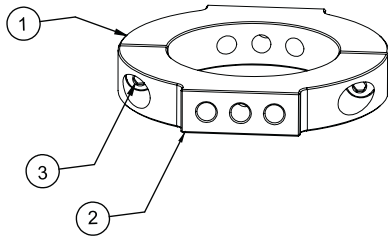
This Pack Contains 1 Collar

PLEASE KEEP THIS FOR FUTURE REFERENCE

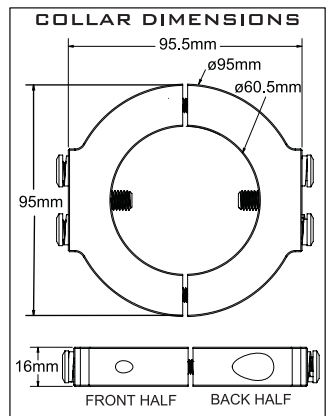
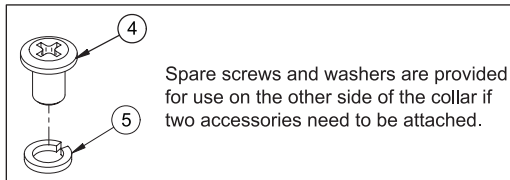
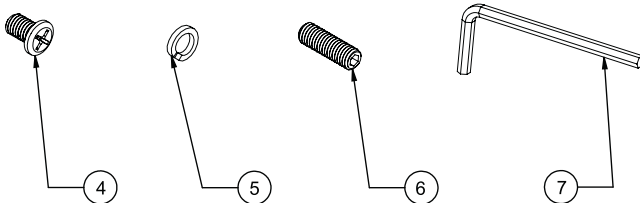


FEATURES

- 2-piece accessory collar for use with $\phi 60\text{mm}$ poles
- Provides attachment for B-Tech modulus system mounts
- Can be retro fitted onto poles



No	PART NAME	QTY
1	FRONT HALF COLLAR	1
2	BACK HALF COLLAR	1
3	M6 x 20mm SCREW	2
4	M8 x 12mm SCREW	4
5	M8 SPRING WASHER	4
6	M8 x 25mm GRUB SCREW	2
7	4mm ALLEN KEY	1



B-TECH AUDIO VIDEO MOUNTS

HEAD OFFICE

B-Tech International Limited

Bennett House, Long March, Daventry, Northants., NN11 4NR, UK

Email: info@btechavmounts.com

©2014 B-Tech International Limited. All rights reserved. B-Tech Audio Video Mounts is a division of B-Tech International Limited. B-Tech, Better By Design and Mountlogic are registered trademarks of B-Tech International Limited. All other brands and product names are trademarks of their respective owners. Photographs are for illustrative purposes only. E&OE. B-Tech International Ltd, it's distributors and dealers are not responsible for damage or injury caused by improper installation, improper use, modifications, installations over the specified weight capacity and/or failure to observe these safety instructions. In such cases, any warranty will expire. It is recommended that this product should only be installed by a qualified professional / installer. B-Tech does not claim any liability for any difficulties that may arise from the interpretation of information contained in these instructions. Failure to mount this product correctly may lead to serious injury and/or death. Please check carefully to make sure there are no missing or defective parts - defective parts must never be used. In the event of missing and/or defective parts, or technical questions, please contact an authorised dealer.

www.btechavmounts.com

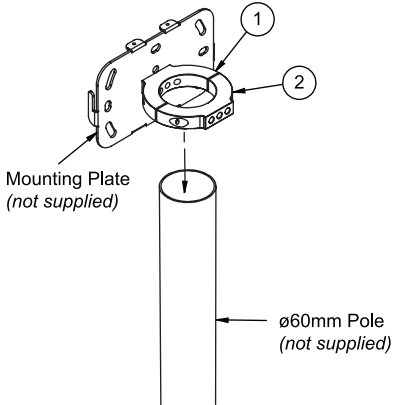
AMA-BT4041-V1-PROBX-0714-44

MADE IN P.R.C.

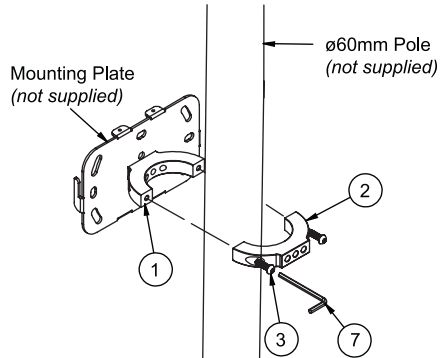
INSTALLATION INSTRUCTIONS

1 THERE ARE 2 WAYS TO ATTACH THE COLLAR TO THE POLE

- i) Attach a B-Tech mounting plate or AV accessory (not supplied) to front half of collar (Part 1)* using the M8 x 12mm screws (Part 4) and spring washers (Part 5) then hook the assembled collars over the $\varnothing 60\text{mm}$ pole (not supplied).

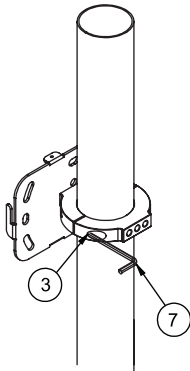


- ii) Retro fitting the collar onto the pole - For situations where you cannot hook the collar over the pole. Disassemble the collars by undoing the M6 x 20mm screws (Part 3) with the Allen key (Part 7). Attach mounting plate to the front collar half (Part 1)*. Fit the 2 collar halves together onto the pole by tightening the M6 x 20mm screws.



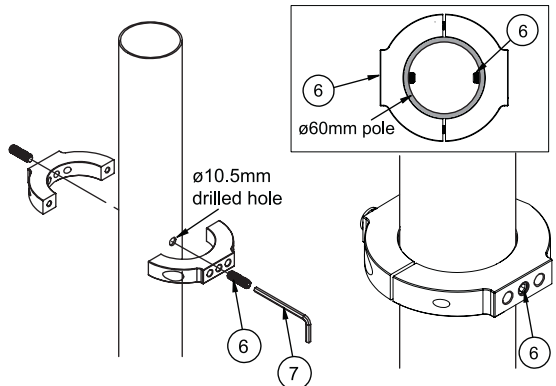
* It is important to fix the mounting plate to the front half of the collar (Part 1) so you have access to the M6 x 20mm screws
Note: Mounting plates can be attached to the collar after the collar is fixed onto the pole.

- 2 Position collar on pole and fasten the M6 x 20mm screws (Part 3) tightly ensuring the gap between the collar halves on both sides are equal.



- 3 Two optional M8 x 25mm grub screws (Part 6) are provided for extra safety (the absence of these grub screws does not affect the load bearing capacity or stability of the collar, provided that the M6 x 20mm screws are sufficiently tightened). The $\varnothing 60\text{mm}$ pole has to be drilled through to accommodate these grub screws at the installers discretion.

Stop tightening the grub screw once the head of the M8 x 25mm grub screw is flush with the surface of the collar.



TO MOUNT BACK TO BACK SCREENS:

Follow steps 1, 2 and 3. Once the collar is mounted to the pole, add the 2nd mounting plate to the back half of the collar (Part 2).