

BT5910

DOME SECURITY CAMERA MOUNT FOR Ø38MM POLES

The BT5910 is a CCTV dome camera mount from B-Tech's System V Range; a collection of components designed for the installation of CCTV and other ceiling mounted equipment. Designed for use with BT5935 Ø38mm poles, the mount can support a small to medium-sized dome camera up to 5kg and when used with other parts from the System V Range, allows professionals to customise their ceiling mounted security solutions to their specific requirement.

SPECIFICATIONS

Max load	5kg
Camera fixings dimensions	51mm - 125.5mm
Camera plate diameter	144mm
Colour	White

FEATURES

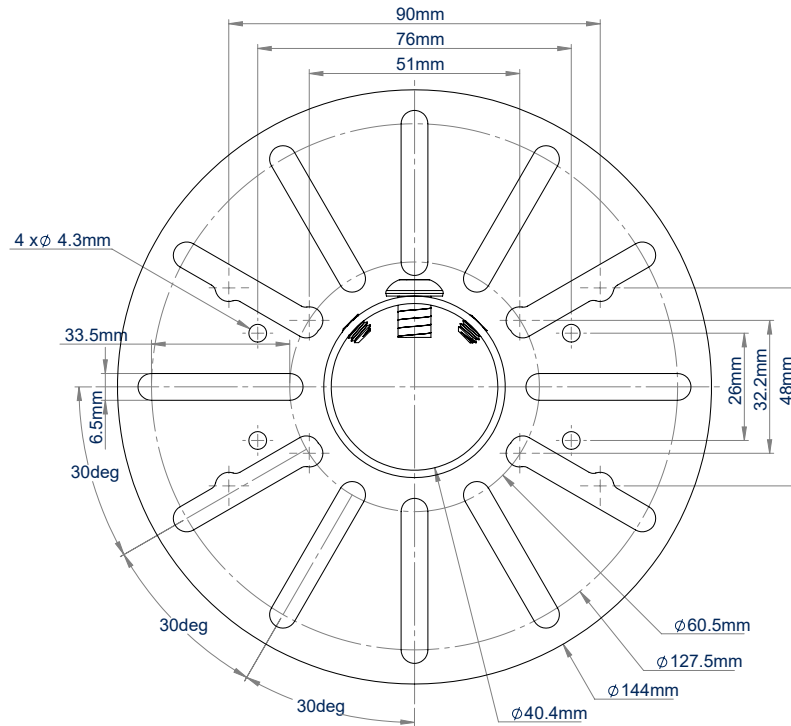
- 1 Attaches directly to BT5935 Ø38mm poles
 - 2 Multiple mounting points for small/ medium domed CCTV cameras
 - 3 Safety bolt ensures pole and camera mount are securely joined
 - 4 Create a variety of ceiling mounted installs with System V components
- Carousel suitable for cameras with fixings from 51mm to 127.5mm apart
 - Grub screws allow micro-adjustment of the mount to ensure camera sits level
 - Integrated cable management allows cables to pass through the centre of the mount



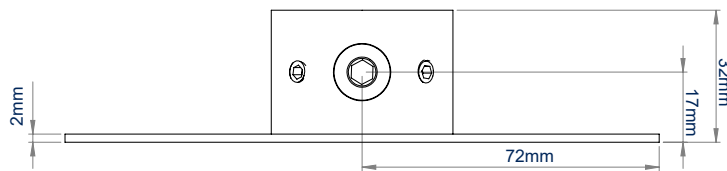
SYSTEM V™



BT5910



TOP VIEW



SIDE VIEW

ORDERING INFORMATION

COLOUR	ORDER REF	EAN
White	BT5910/W	5019318304033

RELATED PRODUCTS

PRODUCT CODE	NAME	DESCRIPTION
BT5935	System V Ø38mm Poles	Available in 1 or 2 metre lengths
BT5910	System V Dome Security Mount	Carousel mount designed for small to medium dome CCTV camera
BT5911	System V Dome Security Mount	Carousel mount designed for large dome CCTV camera
BT5960	System V CCTV Ceiling Mount	Off-the-shelf CCTV ceiling mount, available in 1 or 2 metre lengths

© 2018 B-Tech AV Mounts Co. Ltd. All rights reserved.
 The information in this document is subject to change without notice. B-Tech AV Mounts Co. Ltd. is not responsible for any damage or loss of data caused by improper installation or modification of any part of this specification. B-Tech AV Mounts Co. Ltd. is not responsible for any damage or loss of data caused by any other party's use of this specification. B-Tech AV Mounts Co. Ltd. is not responsible for any damage or loss of data caused by any other party's use of this specification.