

BT5922

GIRDER / PURLIN MOUNT FOR USE WITH Ø1.5" POLES

The BT5922 is a ceiling mount from B-Tech's System V Range and is designed to mount BT5935 Ø1.5" poles from a girder or purlin beam. With an adjustable clamp, the BT5922 is suitable for a variety of different width I-Beams, C Section, Z Section and Sigma Section purlins. Users of System V can create custom ceiling mounted solutions that suit their specific needs, using compatible B-Tech mounting interfaces and accessory collars to mount CCTV dome cameras and other AV equipment such as flat screens.

SPECIFICATIONS

Min-Max I-beams width	2.5" to 10.5"
Min-Max C/Z Sigma-section purlin width	2" to 9"
Max load (When mounting on one side of the pole)	88lbs
Max load (When mounting on both sides of the pole)	154lbs
Tilt	+90°
Color	White

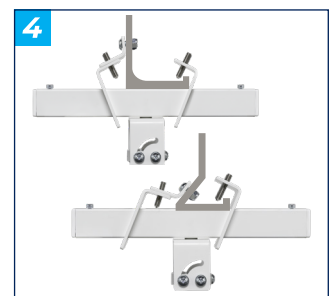
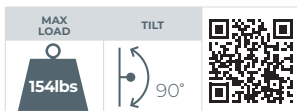


FEATURES

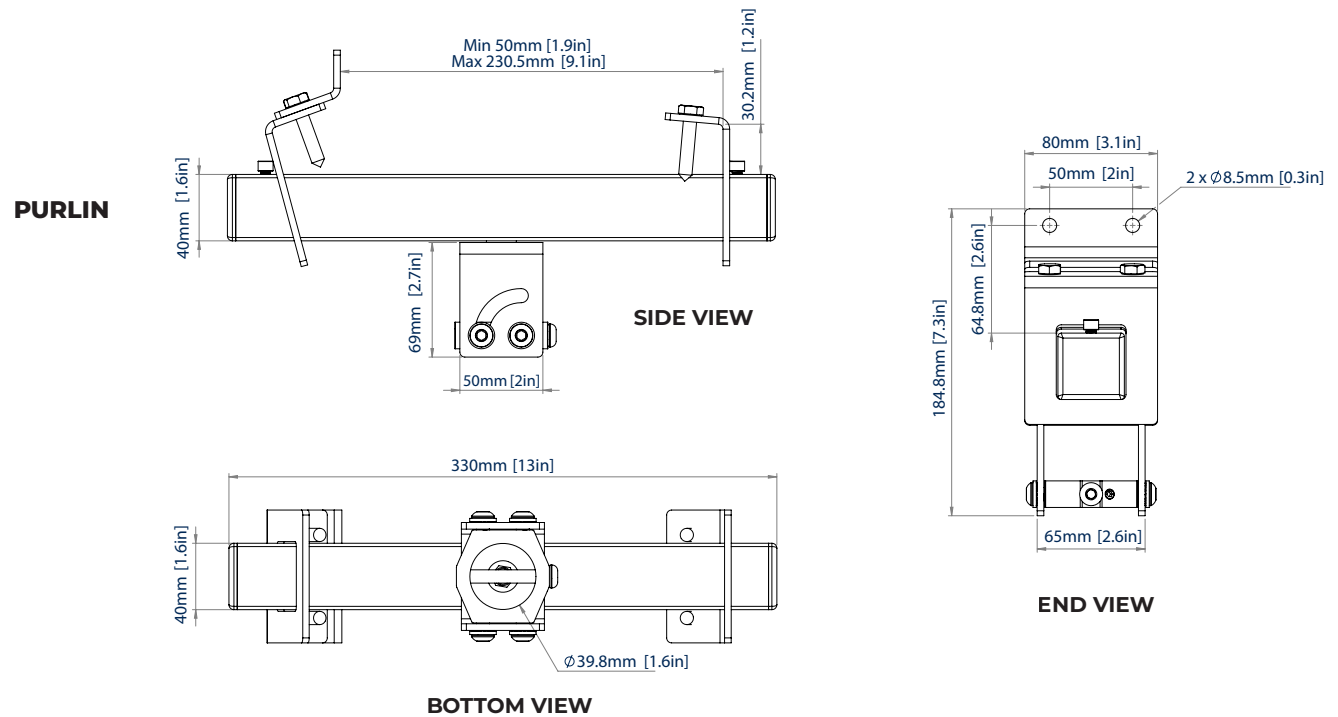
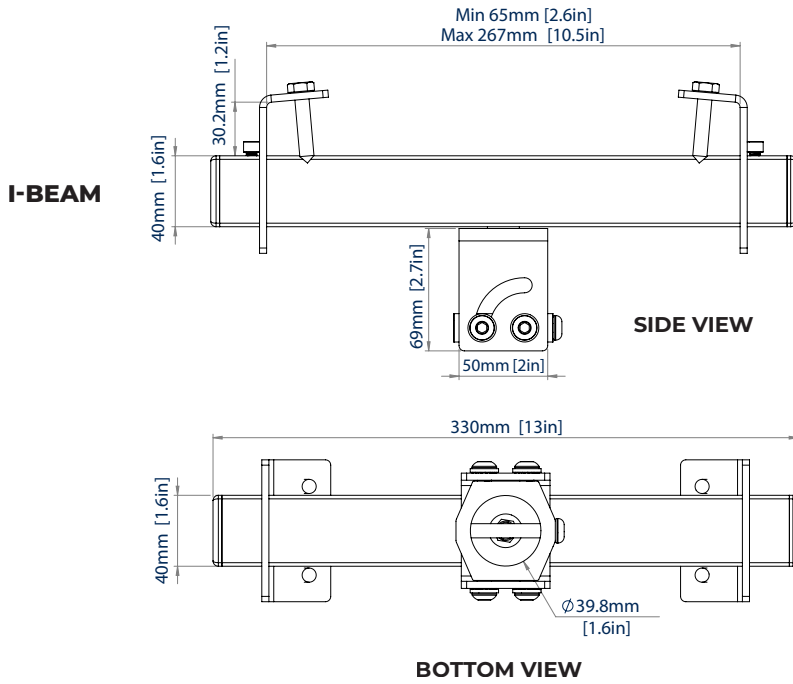
- 1** Attaches directly to BT5935 Ø1.5" poles
 - 2** Tilt function of 90° allows screens and CCTV equipment to be installed on an angled beam
 - 3** Adjustable clamp suitable for mounting onto a girder / I-beam
 - 4** Suitable for I-beams, C section, Z section and Sigma-section purlins
- Allows the user to mount System V poles from a Girder or Purlin beam
 - Allows cables to pass through the mount and into the pole
 - Safety bolt hole ensures a secure connection to System V poles and ceiling mounts



SYSTEM V



BT5922



ORDERING INFORMATION

COLOR	ORDER REF	BARCODE
White	BT5922/W	5019318306983

RELATED PRODUCTS

PRODUCT CODE	NAME	DESCRIPTION
BT5935	1.5" Diameter Poles	Available in 1m or 2m lengths
BT5910	Dome Security Camera Mount	Carousel mount for small / medium dome CCTV cameras
BT5920	Fixed Ceiling Mount	Mounts BT5935 Ø1.5" poles to the ceiling
BT5960-FD100	CCTV Ceiling Mount for Dome Surveillance Cameras	Complete off-the-shelf kit

© 2022 B-Tech AV Mounts Co., Ltd. All rights reserved.
 The information in this specification sheet reflects the current technical specifications at the time of printing.
 We reserve the right to change the technical or physical specifications without prior notice. The B-Tech name and the B-Tech logo are registered trademarks of B-Tech AV Mounts Co., Ltd.
 B-Tech is not responsible for loss or damage caused by improper installation or mounting on unstable structures. Any reproduction or reuse of information or specification of any part of this specification sheet is strictly prohibited unless prior written permission is granted by B-Tech AV Mounts Co., Ltd.

SS-V2-BT5922-220725