

# BT5935

## SYSTEM V™ Ø1.5" POLES

BT5935 are Ø1.5" steel poles capable of supporting substantial loads from B-Tech's System V Range, a collection of components designed to install CCTV and other ceiling-mounted equipment. Available in one, two and three-metre lengths, the poles are compatible with B-Tech components, allowing professionals to customise their security mounting solutions to their specific requirements, such as pole-mounting CCTV cameras and screens from the ceiling with extended drops.

### SPECIFICATIONS

Diameter	Ø1.5"
BT5935-100 length	39"
BT5935-200 length	79"
BT5935-300 length	118"

### FEATURES

- 1 Designed to create ceiling-mounted AV solutions such as CCTV installs
- 2 Compatible with System V accessories such as camera mounts
- 3 Safety bolt holes to safely secure accessories
- 4 Can be joined together using BT5923 Pole Joiner for extended drops
- Internal cable management through the centre of the pole
- Heavy-duty steel capable of supporting substantial loads
- Safety bolt hole ensures a secure installation to System V components

## SYSTEM V™



**BT5935-100**  
1 metre length

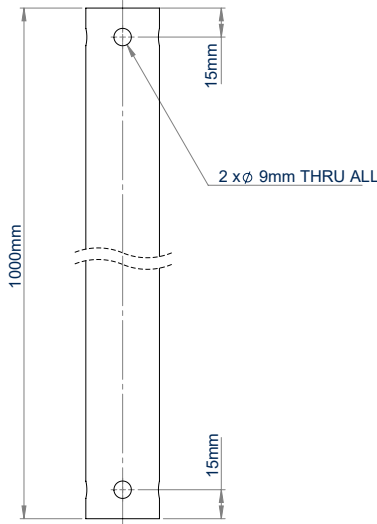
**BT5935-200**  
2 metre length

**BT5935-300**  
3 metre length

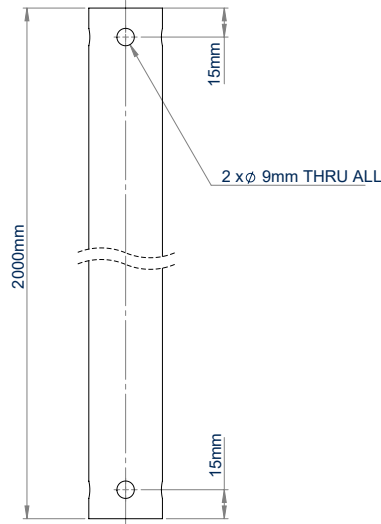
# BT5935



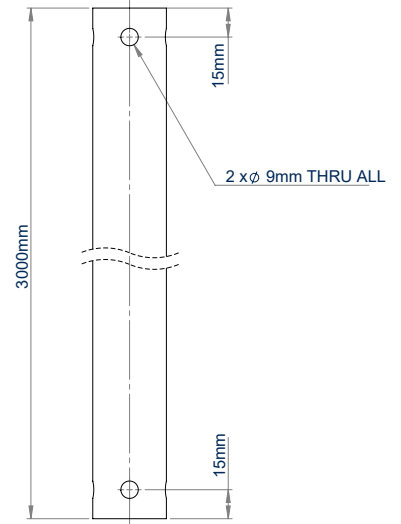
TOP VIEW



SIDE VIEW  
1 METER



SIDE VIEW  
2 METER



SIDE VIEW  
3 METER

## ORDERING INFORMATION

COLOR	ORDER REF	BARCODE
White	BT5935-100/W	5019318304071
White	BT5935-200/W	5019318304088
White	BT5935-300/W	5019318306815

## RELATED PRODUCTS

PRODUCT CODE	NAME	DESCRIPTION
BT5924	External Pole Joiner	Join BT8935 Ø1.5" Poles together for longer drops
BT5910	Dome Security Mount	Carousel mount for small to medium dome CCTV cameras
BT5920	Fixed Ceiling Mount	Mount BT5935 System V poles from the ceiling
BT5952	Ø1.5 Accessory Colar	Attach a variety of accessories to BT5935 System V Poles

© 2015 B-Tech AV Mounts, Inc. All rights reserved.  
 The information in this specification sheet reflects the current technical specifications of the product.  
 We reserve the right to change the technical specifications without prior notice. The B-Tech name and logo are registered trademarks of B-Tech AV Mounts, Inc. All other trademarks are the property of their respective owners.  
 B-Tech AV Mounts, Inc. is not responsible for any loss or damage caused by improper installation or mounting on unstable structures. Any reproduction or retransmission of any part of this specification sheet is strictly prohibited unless prior written permission has been granted by B-Tech AV Mounts, Inc. All rights reserved.  
 SS-V3-BT5935-220725