

BT5953

FALSE CEILING TRIM FOR USE WITH BT5935 Ø38MM POLES

BT5935 False Ceiling Trims are designed to improve the look of ceiling mounted installations. Rings can be retro fitted on to existing System V Ø38mm poles using the split design and are ideal for making cosmetic improvements to suspended ceiling installations.

SPECIFICATIONS

Compatible pole diameter **Ø38mm**
Colour **White**

FEATURES

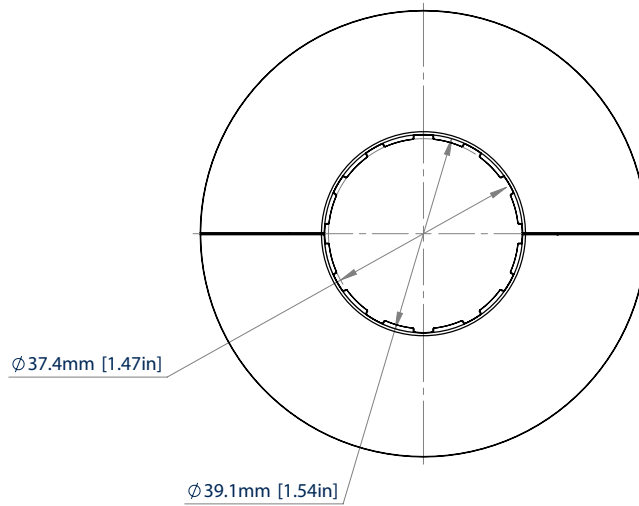
- 1 Use with System V BT5935 Ø38mm poles
- 2 Improves the aesthetic of mounts that pass through a suspended ceiling
- 3 Split design for retro fitting onto existing installations
- 4 Can be used with complete off-the-shelf-kits (image shows BT5960-FD100)



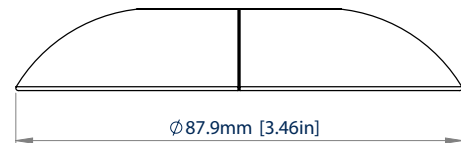
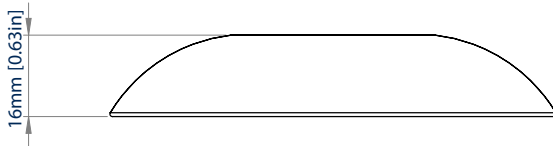
SYSTEM V[™]



BT5953



TOP VIEW



SIDE VIEW

ORDERING INFORMATION

COLOUR	ORDER REF	EAN
White	BT5953/W	5019318306976

RELATED PRODUCTS

PRODUCT CODE	NAME	DESCRIPTION
BT5935	Ø38mm Poles	Available in 1, 2 and 3 metre lengths
BT5920	Fixed Ceiling Mount	Mounts BT5935 Ø38mm poles to the ceiling
BT5910	Dome Security Camera Mount	Carousel mount for small / medium dome CCTV cameras
BT5952	Ø38mm Accessory Collar	Designed for the installation of CCTV and other ceiling mounted equipment

© 2018 B-Tech AV Mounts Corporation Ltd. All rights reserved.
 The information this specification sheet reflects the current technical specifications at the time of print.
 We reserve the right to change the technical or physical specifications without prior notice. This is both a name and the B-Tech logo are registered trademarks of B-Tech AV Mounts Corporation Ltd.
 B-Tech is not responsible for loss or damage caused by improper installation or mounting on unstable structures. Any reproduction or reuse, permission or non-permission of any part of this
 specification sheet is strictly prohibited unless prior written permission is obtained by B-Tech AV Mounts Corporation Ltd. B-Tech

SS-V2-BT5953-040924