



STAND
 HEIGHT
 24"

BT606

ATLAS™

SPEAKER STANDS

24" (PAIR)

Supplied in pairs these Atlas floor stands are designed for speakers up to 77lbs. Mounting the speakers at a height of 24", the BT606 is easy to assemble and the columns can be filled with sand for sound dampening. Stable on any flooring, the stands are supplied with sound isolating spikes and floor discs to protect wooden / tiled floors, alternative foam pads are also included.

SPECIFICATION

Max load	77lbs (35kg)
Stand height	24"
Top plate dimensions	6.30" x 6.30"
Base plate dimensions	9.45" x 9.45"

FEATURES

- Twin columned floor stands for loudspeakers
- Fillable columns for superior dampening
- Solid construction using heavy gauge steel for enhanced stability
- Top and bottom isolation spikes provided
- Foam pads included as an alternative to isolating support spikes
- Suitable for all types of floors including wood & carpet with supplied protection discs
- Supplied in pairs



Bottom isolation spikes supplied with floor protection discs



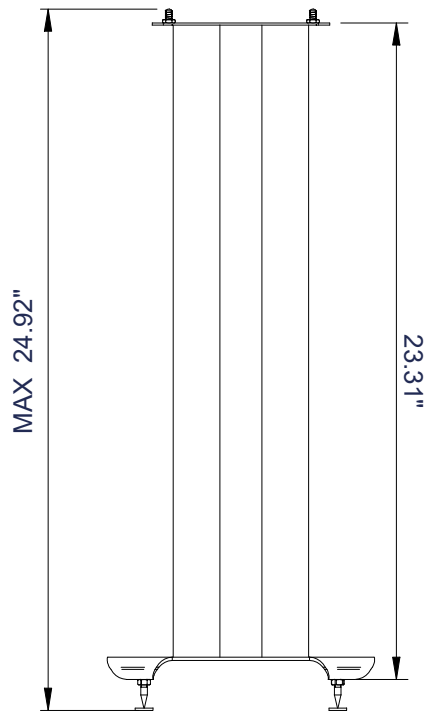
Supplied with isolation spikes and alternative foam pads



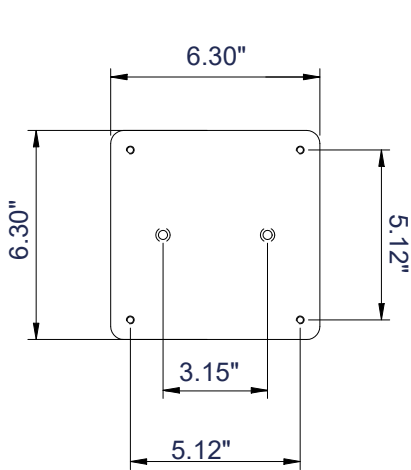
Use dry sand to fill columns for superior dampening



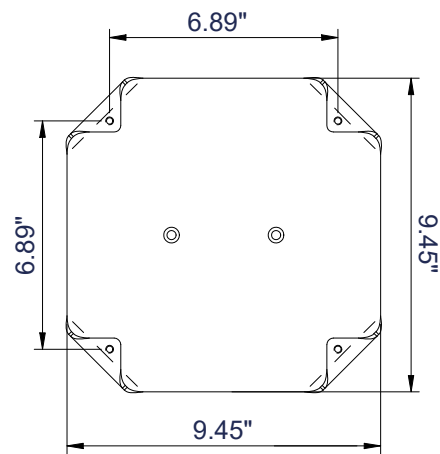
Supplied in retail packaging - ideal for the consumer market



FRONT VIEW



TOP PLATE



BASE PLATE

PACKING INFORMATION

COLOR:	ORDER REF:	UPC CODE:	MASTER CARTON QTY:	MASTER CARTON CUBE:	CARTON WEIGHT:
Black	BT606/B	811867033007	2	11.65cuft (0.33cbm)	33lbs (15kg)

RELATED PRODUCTS



BT604
Atlas Speaker Stands Height 15"
Designed to mount speakers up to 110lbs



BT608
Atlas Speaker Stands Height 33"
Designed to mount speakers up to 77lbs



BT15
Centre Speaker Wall Mount with Adjustable Arms designed to mount speakers up to 44lbs



BT77
Side-Clamping Speaker Wall Mounts designed to mount speakers up to 55lbs

© 2016 B-Tech International Design & Manufacturing Limited. All rights reserved.
 The information in this specification sheet reflects the current technical specifications at the time of print.
 We reserve the right to change the technical or physical specifications without prior notice. The B-Tech name and the B-Tech logo are registered trademarks of B-Tech International Design & Manufacturing Limited.
 B-Tech is not responsible for any loss or damage caused by improper installation or misuse of the product. Any reproduction or repackaging of any part of this specification sheet is strictly prohibited unless prior written permission has been granted by B-Tech International Design & Manufacturing Limited. 55-V3-BT606-03032023-US