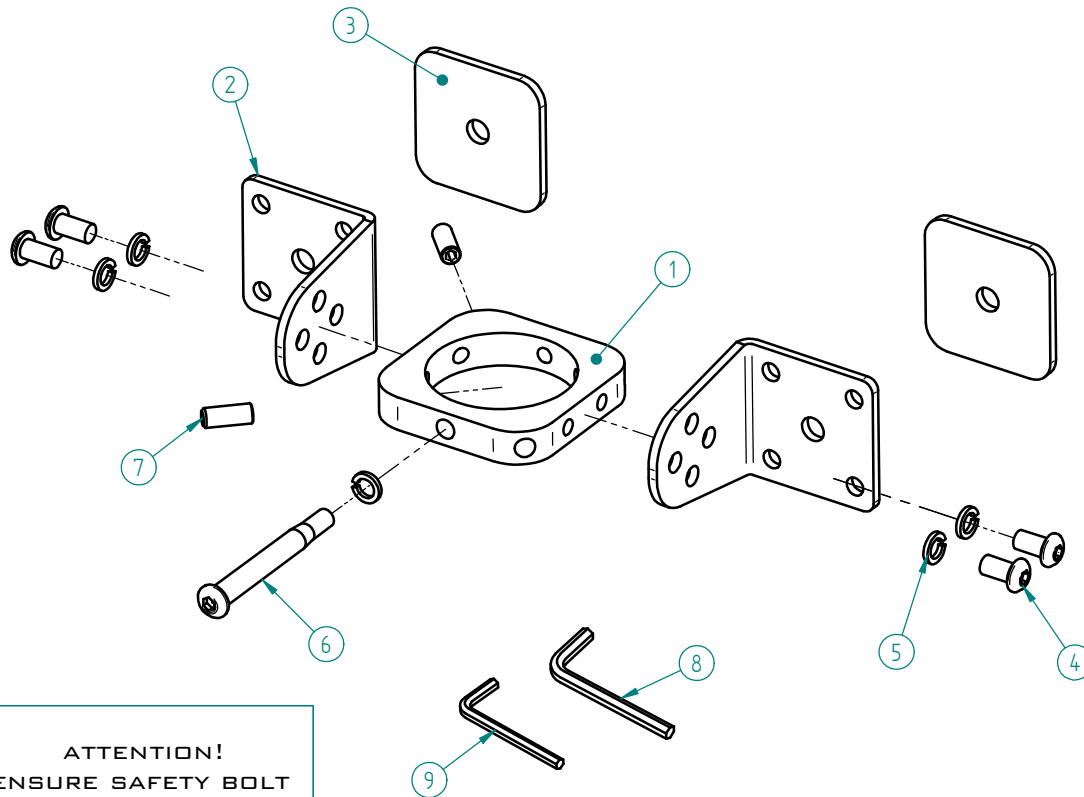




BT7014

JOIST MOUNT KIT FOR 50MM POLES



ATTENTION!
ENSURE SAFETY BOLT
(PART 6) IS IN PLACE
BEFORE ANY AV
EQUIPMENT IS FITTED

PARTS LIST

No	PART NAME	DESCRIPTION	QTY
1	BT7050 COLLAR	SCREWS TO L-BRACKETS	1
2	JOIST L-BRACKET	SCREWS OR BOLTS TO JOIST	2
3	JOIST BACK PLATE	PROTECTS SIDE OF JOIST	2
4	M8 X 15 ALLEN SCREW	FIXES L-BRACKET TO COLLAR	4
5	M8 SPRING WASHER	SITS UNDER PARTS 4 AND 6	5
6	M8 X 65 SAFETY ALLEN BOLT	PASSES THROUGH THE POLE	1
7	M8 X 15 GRUB SCREW	CLAMPS COLLAR TO POLE	2
8	5MM ALLEN KEY	TO TIGHTEN PARTS 4 AND 6	1
9	4MM ALLEN KEY	TO TIGHTEN PARTS 7	1

PLEASE KEEP THIS PARTS LIST FOR FUTURE REFERENCE

COPYRIGHT 2004
B-TECH INTERNATIONAL LIMITED, CROYDON, CR0 9UG, UK
www.b-tech-int.com