

BT7056

FLOOR FIXING KIT FOR Ø2" POLES

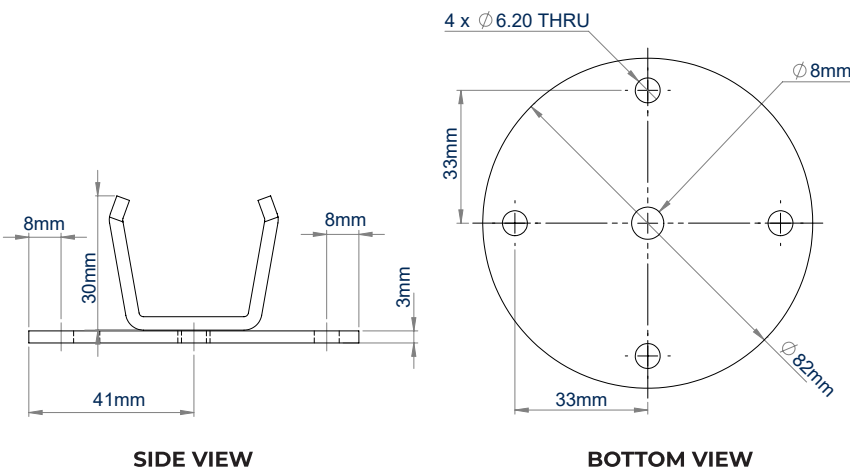
The BT7056 Floor Fixing Kit allows Ø2" poles to be fixed between floor and ceiling without the need for screws or bolts. The solution is suitable for most floor types including concrete and wooden floors. Available in black or chrome the kit includes a cover plate for a smart installation.

SPECIFICATIONS

Diameter	Ø2"
Color	Black or Chrome

FEATURES

- Allows Ø2" poles to be fixed to the floor*
- Suitable for most floor types including concrete and wooden floors
- Kit comprises of two different solutions for optimum installation choice
- Includes cover plate for a neat and tidy installation



ORDERING INFORMATION

COLOR	ORDER REF	BARCODE
Black	BT7056/B	5019318079916
Chrome	BT7056/C	5019318070679

RELATED PRODUCTS

PRODUCT CODE	NAME	DESCRIPTION
BT7055	Ceiling Finishing Ring	Designed to improve the installed look of a ceiling or floor mounted pole
BT7822	Heavy Duty Ceiling / Floor Mount	Designed for use with Ø2" poles
BT7807	Heavy Duty Twin Pole Ceiling / Floor Mount	Designed for use with Ø2" poles
BT7850	Ø2" Poles	Ø2" diameter poles



*Pole must also be fixed to the ceiling or the floor