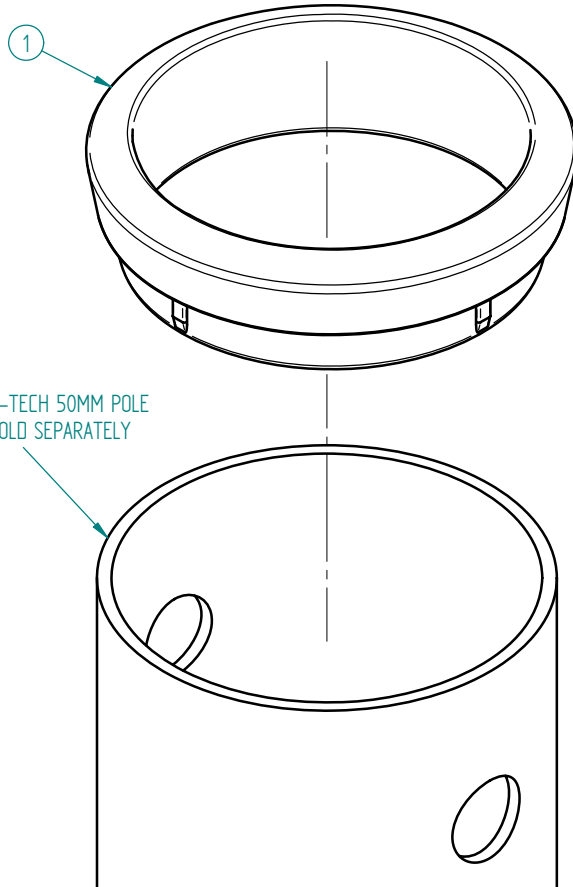




BT7057

50MM (2 INCH) POLE END RING



PARTS LIST

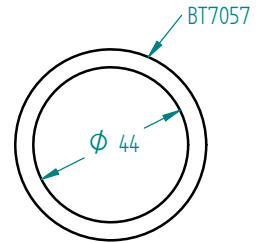
No	PART NAME	QTY
1	50MM (2") POLE END RING	1

PLEASE KEEP THIS PARTS LIST FOR FUTURE REFERENCE

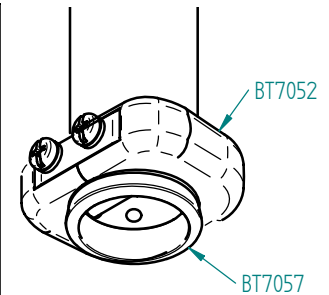
The BT7057 pole end ring creates a neat appearance at either end of any B-Tech 50mm pole. The ring is quickly and easily fitted by means of a tight and secure push fit.

This ring also doubles up as a cable protector against the rough edge of hand sawn poles upon cutting to length during installation.

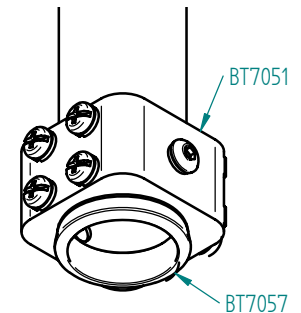
The Pole End Ring has a diameter 44mm hole to allow most cables and connectors to easily pass through.



The Pole End Ring fits onto a B-Tech 50mm (2") pole even when a BT7052 collar, including covers, is attached and with the safety bolt in place.



To use the larger BT7051 collar, new safety bolt holes must be drilled at least 27mm from the end of the pole to allow the Pole End Ring to fit on.



B-Tech International Ltd,
Long March, Daventry, Northants NN11 4NR, UK.
Tel: +44 (0)1327 300 787 Fax: +44 (0)1327 706 562
Email: info@b-tech-int.com

B-Tech PRO-AV bvba,
Brixtonlaan 32, Zaventem 1930, Brussels, Belgium.
Tel: +32 (0)2 720 92 71 Fax: +32 (0)2 725 42 15
Email: info@btechproav.com

B-Tech Audio Video Mounts,
Sparks, NV 89431, USA.
Tel: (1)800 975 5812 Fax: (1)800 592 2876
Email: info@btechavmounts.com

B-Tech International (Hong Kong) Ltd,
23rd Floor, Manulife Tower, North Point, HK.
Tel: (+852) 2556 7337 Fax: (+852) 2556 7321
Email: info@b-tech-int.com.hk

www.btechavmounts.com