

BT7057

END RING FOR Ø2" POLES

Designed to provide a neat appearance to any B-Tech Ø2" pole protecting cables against the edges of hand-sawn pole ends.

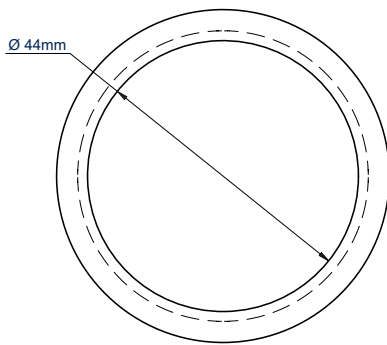
SPECIFICATIONS

Diameter	Ø2"
Color	Black

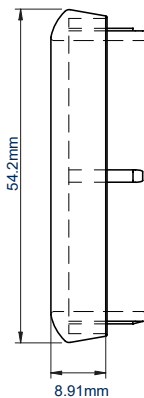
FEATURES

- Creates a neat appearance at either end of any Ø2" pole
- Protects cables against the rough edge of hand sawn poles
- 1 End Ring supplied with every Ø2" pole

TECHNICAL DRAWINGS



FRONT VIEW



SIDE VIEW



ORDERING INFORMATION

COLOR	ORDER REF	BARCODE
Black	BT7057/B	5019318070921

RELATED PRODUCTS

PRODUCT CODE	NAME	DESCRIPTION
BT7850	Ø2" Pole	Designed to be cut to length and feature safety bolts and cable management
BT7056	Floor Fixing Kit	For securing Ø2" poles to the floor and ceiling
BT7055	Ceiling Finishing Ring	For use with Ø2" poles
BT7824	External Pole Joiner	Connects 2 Ø2" poles together

© 2025 B-Tech AV Mounts Co., Ltd. All rights reserved.
 The information in this specification sheet reflects the current technical specifications at the time of printing.
 We reserve the right to change the technical or physical specifications without prior notice. The B-Tech name and the B-Tech logo are registered trademarks of B-Tech AV Mounts Co., Ltd.
 B-Tech is not responsible for any loss or damage caused by improper installation or mounting on unstable structures. Any reproduction or reuse of this specification sheet is strictly prohibited unless prior written permission is granted by B-Tech AV Mounts Co., Ltd. 2025.

SS-V4-BT7057-090725

