

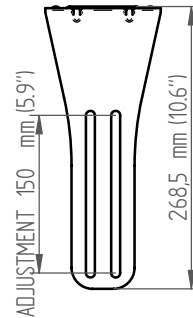
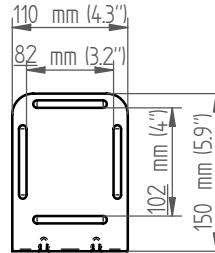


BT7340

WEBCAM SHELF

ASSEMBLY AND INSTALLATION

This pack contains:
1 webcam shelf



- Designed to support a webcam above a pole mounted screen
- Maximum webcam footprint: W 82 (3.2"), D 102mm (4")
- Adjusts to be used with screens 15" – 22" (widescreen)
- Designed to be used with the BT7320, BT7321, BT7332 or BT7333
- Maximum load: 1Kg (2.2lbs)
- All fixings included



Caution: This webcam shelf is intended for use only with the maximum weights indicated. Use with heavier than the maximum indicated may result in instability causing possible injury.

Important Safety Instructions.

Read first

Do not attempt to install this product until all instructions and warnings have been read and properly understood. Please keep these instructions for future reference. B-Tech International Limited, its distributors and dealers are not liable or responsible for damage or injury caused by improper installation, improper use or failure to observe these safety instructions. In such cases, all guarantees will expire.

General

B-Tech International Ltd recommends that a professional AV installer or other suitably qualified person install this product. Great care must always be taken during installation as most AV equipment is of a fragile nature, possibly heavy and easily damaged if dropped.

If you do not fully understand the instructions or are not sure how to install this product safely, then please consult a professional for advice and/or to install this product for you. Failure to mount this product correctly may cause serious injury or death both during installation and at any time thereafter.

Do not mount any AV equipment that exceeds the specific weight limit of the product you are installing. This weight limit will be clearly stated on each product and its packaging and will vary from product to product.

Product location

Please pay careful attention to where this product is located.

Fixing hardware

It is highly recommended that all fixing screws be used where supplied and that the purpose of all other fixing hardware is fully understood. In some cases more AV equipment fixing hardware will be supplied to accommodate different models of equipment and set up configurations.

The installer must be satisfied that any supplied fixing hardware is suitable for each specific installation. If any fixing screws or included hardware are deemed not sufficient for a safe installation then please consult a professional or your local hardware store.

Hazard limitation

When routing cables take advantage of any built in cable management features that the product might provide and ensure that all cables are tidy and secure. Check to see that any moving aspect of the product can do so unhindered by any cabling.

Some products have moving parts and the potential to cause injury through the crushing or trapping of fingers or other body parts.

Particular attention to the nature of moving parts is required especially when assembling installing and adjusting during set up.

Immediately after installations double-check that the work done is safe and secure. Double-check all necessary fixings are present and are of ample tightness.

It is recommended that periodic inspections of the product and its fixing points are made as frequently as possible to ensure that safety is maintained. In if doubt consult a professional AV installer or other suitably qualified person.

Head Office

B-Tech International Ltd.

Bennett House, Long March, Daventry, Northants NN11 4NR, UK
Tel: +44 (0)1327 300 787 Fax: +44 (0)1327 706 562
Email: info@btechavmounts.co.uk

Europe

B-Tech PRO-AV bvba

Brixtonlaan 32, Zaventem 1930, Brussels, Belgium
Tel: +32 (0)2 720 92 71 Fax: +32 (0)2 725 42 15
Email: info@btechproav.com

North America

B-Tech Audio Video Mounts.

10 Greg Street, #108, Sparks, NV 89431, USA
Tel: (1)800 975 5812 Fax: (1)800 592 2876
Email: info@btechavmounts.com

Asia Pacific

B-Tech International (Hong Kong) Ltd.

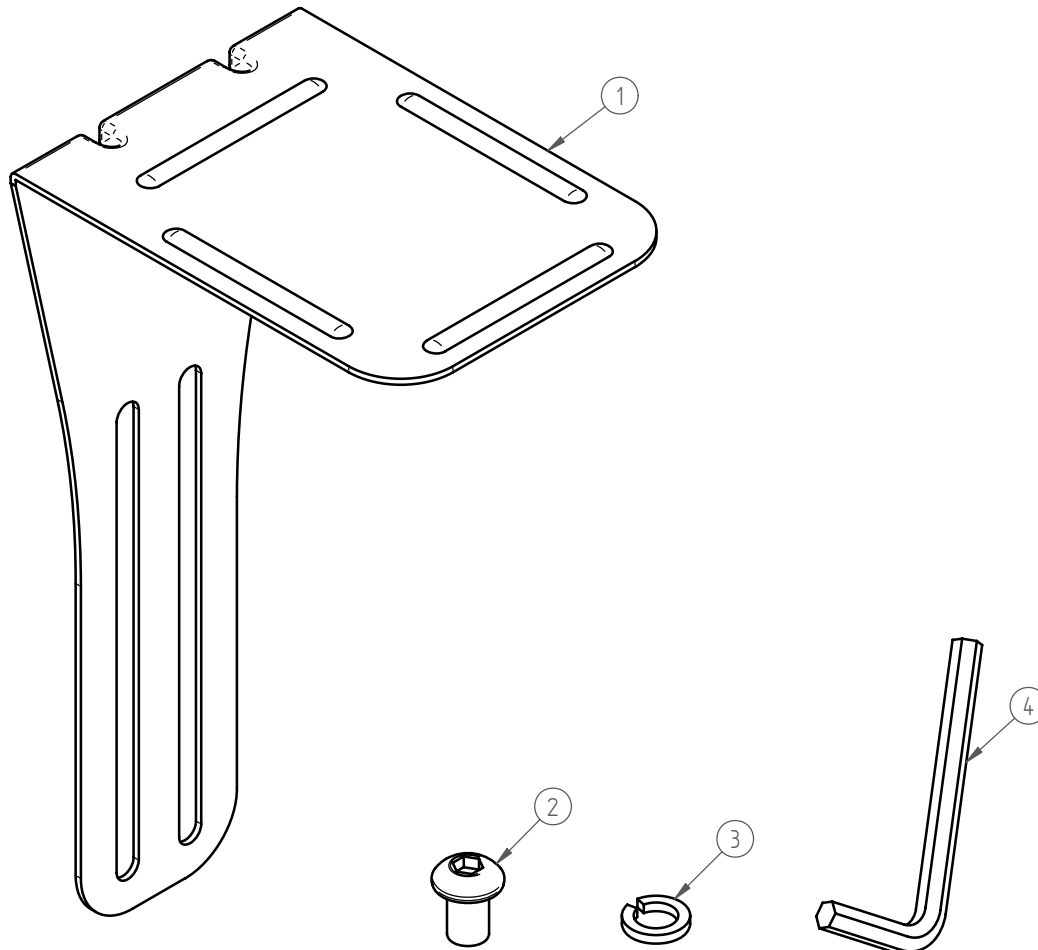
23rd Floor, Manulife Tower, North Point, HK
Tel: (+852) 2556 7337 Fax: (+852) 2556 7321
Email: info@btechavmounts.com.hk

www.btechavmounts.com



BT7340

PARTS LIST



PARTS LIST

No	PART NAME	QTY
1	WEBCAM SHELF	1
2	M8 X 12 ALLEN SCREW	4
3	M8 SPRING WASHER	4
4	5MM ALLEN KEY (FOR PART 2)	1

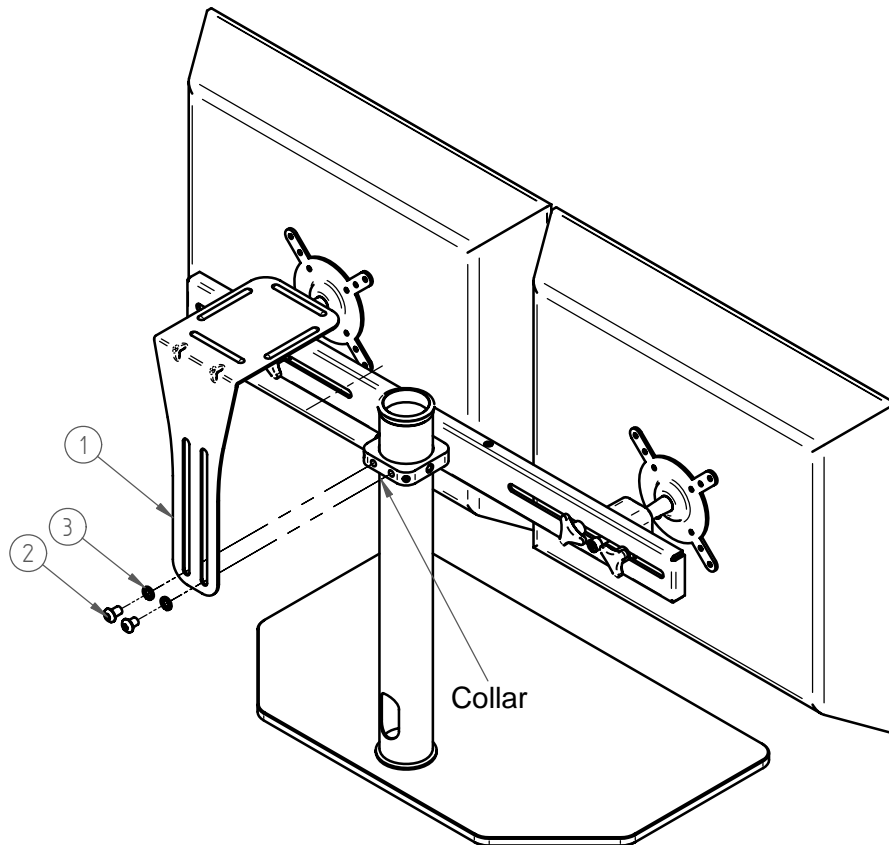
Suitable for loads up to 1Kg (2.2lbs)

PLEASE KEEP THIS PARTS LIST FOR FUTURE REFERENCE



BT7340 INSTALLATION INSTRUCTIONS

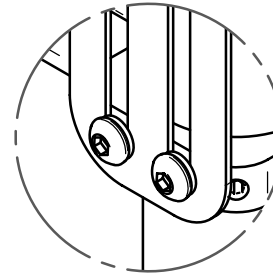
1. Attach webcam shelf to collar



Fix the webcam shelf (**part 1**) to the collar using the Allen screw & spring washer (**part 2 & 3**) using the Allen key (**part 4**) provided.

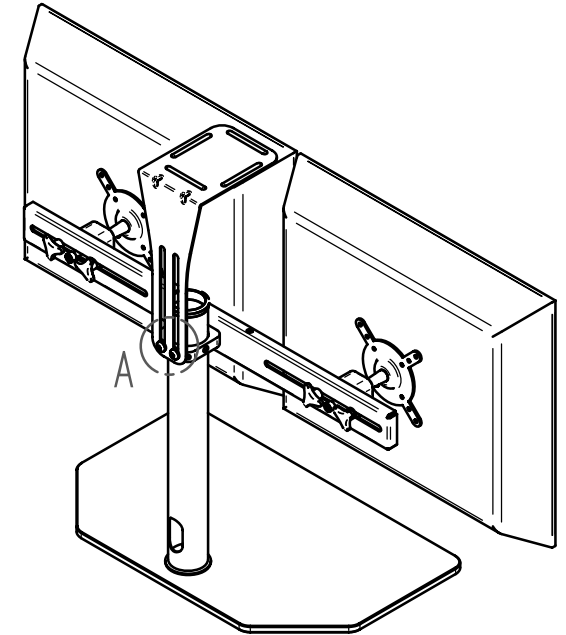
USE ALL ALLEN
SCREWS AND SPRING
WASHERS WHERE
POSSIBLE

2. Adjust to desired height to suit screens



DETAIL A

Adjust webcam mount to desired height to suit screen size and tighten the Allen screws.



3. Place the webcam on top of the shelf

Ensure that the shelf is level and safe to put the webcam on. Once level place the webcam on the shelf.

The webcam shelf has raised edges to help keep the webcam in place.

If adjusting the height of the shelf, please remove the webcam from the shelf. Then loosen the allen screws and move the shelf to your desired height.

