

# BT7362

## DESK STAND

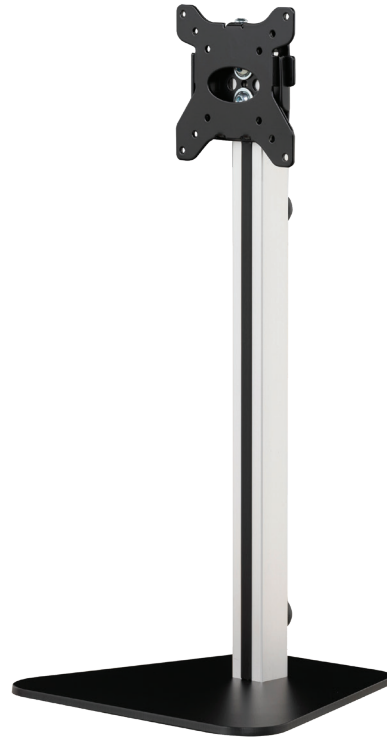
The BT7362 desk stand is suitable for use with screens up to 32" and a max weight of 10kg. The stand can easily be placed on a desk and the integrated cable management ensures a neat and tidy installation. The stand also features rubber feet that help to protect the desk from unwanted scratches or marks.

### SPECIFICATIONS

Recommended screen size	up to <b>32"</b>
Max load	<b>10kg</b>
VESA® compatibility	<b>50 x 50</b> up to <b>100 x 100</b>
Dimensions	W : <b>251mm</b> H : <b>511mm</b> D : <b>230mm</b>
Base thickness	<b>3mm</b>
Colour (base / mount)	<b>Black</b>
Colour (column)	<b>Silver</b>

### FEATURES

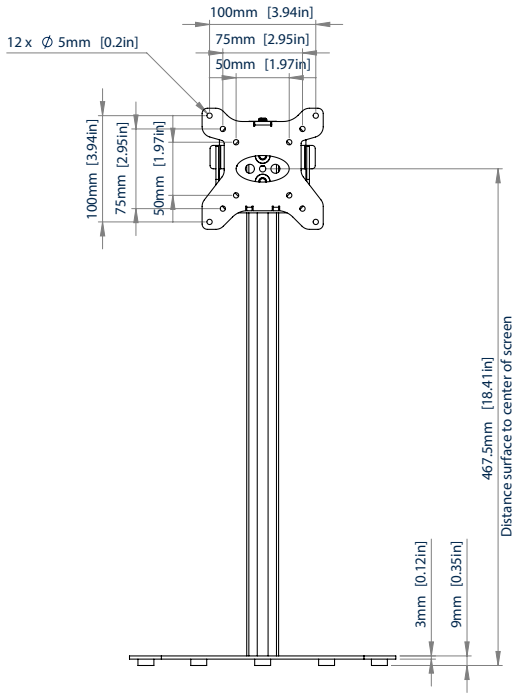
- 1 Rubber feet protect the desk from marks and scratches
  - 2 Integrated cable management for a neat and tidy installation
  - 3 Security locking screw helps prevent unauthorised removal of the screen
  - 4 Screen can be mounted in portrait or landscape up to VESA 100 x 100
- Screen mount can be positioned at any height on a column
  - Freestanding, ideal for hot-desking or working from home
  - High-end aesthetic quality
  - Simple 'hook-on' installation



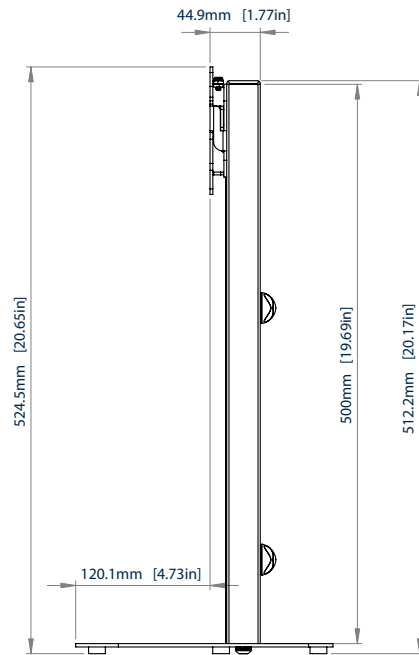
RECOMMENDED MAX SCREEN	MAX LOAD	MAX VESA	
32" 81cm	10kg	100 x 100	



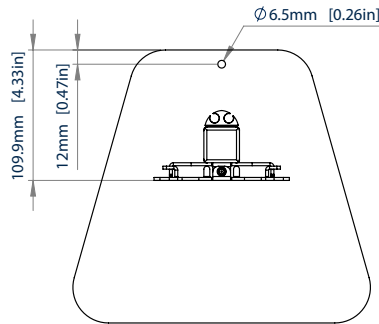
# BT7362



FRONT VIEW



SIDE VIEW



TOP VIEW

## ORDERING INFORMATION

COLOUR	ORDER REF	EAN
Black / Silver	BT7362/BS	5019318306945

## RELATED PRODUCTS

PRODUCT CODE	NAME	DESCRIPTION
BT7372	Single Arm Premium Desk Mount	Designed for screens up to 28"
BT7373	Double Arm Premium Desk Mount	Designed for screens up to 28"
BT7384	Full Motion Twin Screen Desk Mount	Designed for screens up to 32"
BT7363	Desk Stand with Tilt	Designed for screens up to 32"

© 2018 B-Tech AV Mounts Co., Ltd. All rights reserved.  
 The information in this specification sheet reflects the current technical specifications at the time of printing.  
 We reserve the right to change the technical or physical specifications without prior notice. This B-Tech name and the B-Tech logo are registered trademarks of B-Tech AV Mounts Co., Ltd.  
 B-Tech is not responsible for any damage or loss of data caused by improper installation or mounting on unstable structures. Any reproduction or use without permission or registration of any part of this specification sheet is strictly prohibited unless prior written permission is granted by B-Tech AV Mounts Co., Ltd.

SS-V2-BT7362-230924