

BT7385

FULL MOTION WALL MOUNT WITH DOUBLE ARM

The BT7385 is a full motion, double arm wall mount designed for monitors and displays up to 28". The dual articulated arm features 360° screen rotation, easy tilt and height adjustment and three swivel points; 180° at the wall, 360° at the central pivot and 220° at the interface. This allows quick and easy repositioning of mounted displays to suit a range of different purposes as required. Cable management is integrated throughout the mount for a clean and tidy installation.








SPECIFICATIONS

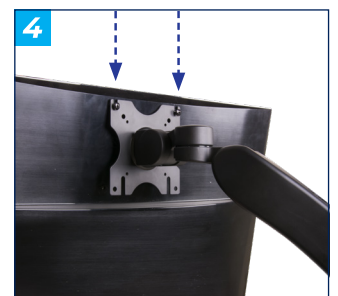
Recommended screen size	up to 28"
Max load	9kg
VESA® compatibility	75 x 75 & 100 x 100
Tilt	+ 90°/-65°
Swivel at the wall	180°
Swivel at the interface	220°
Arm height adjustment	303mm
Screen rotation	360°
Distance from wall	643mm

FEATURES

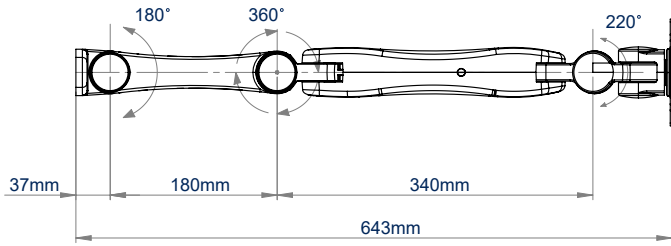
- 1 Integrated cable management
- 2 360° screen rotation
- 3 Full motion adjustability allows easy screen positioning for the perfect display
- 4 Simple 'hook-on' installation
 - Tool-less screen rotation for landscape/portrait orientation
 - Dual articulated arm wall mount made from aluminium with a coated finish
 - 3 swivel points, at the wall, arm pivot and interface
 - All mounting hardware included



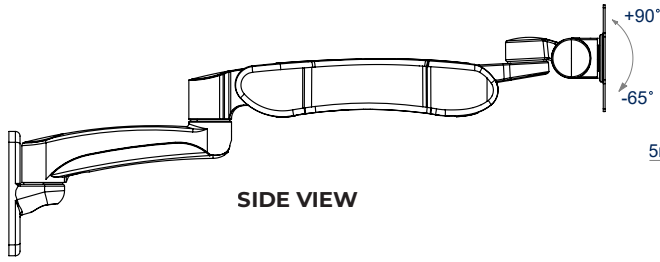
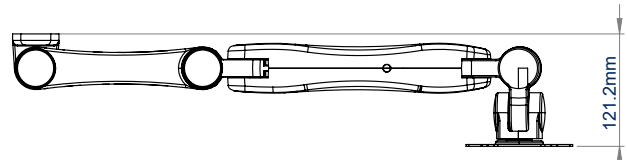
RECOMMENDED MAX SCREEN	MAX SCREEN WEIGHT	MAX VESA	HEIGHT ADJUSTMENT	TILT	SWIVEL	ROTATION	QR CODE
28" 71cm	15kg	100					



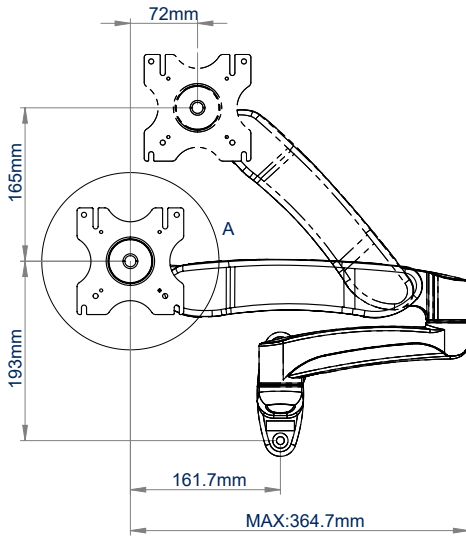
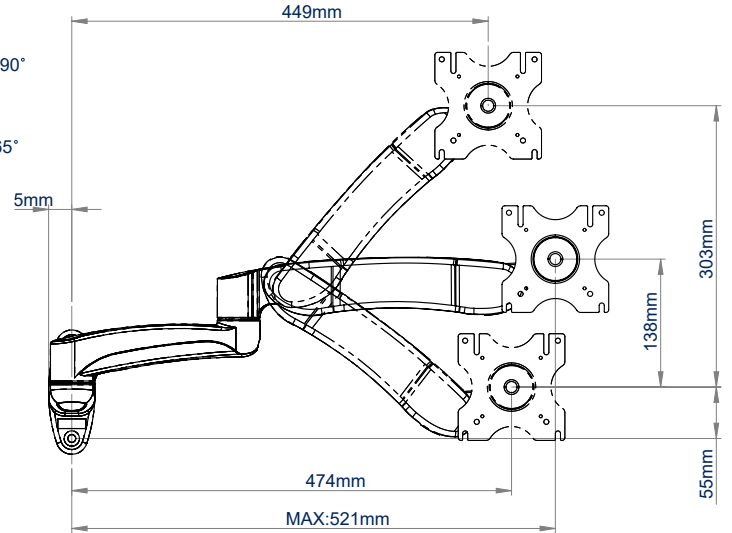
BT7385



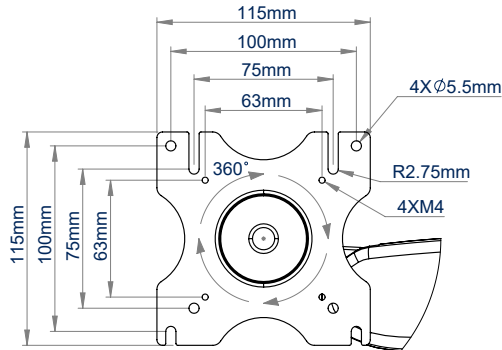
TOP VIEW



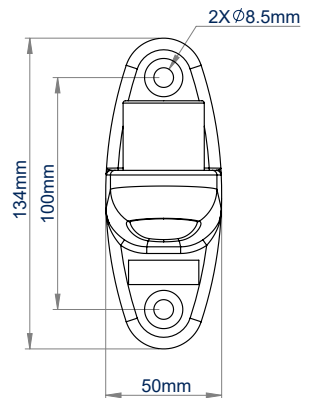
SIDE VIEW



FRONT VIEW



FRONT VIEW - INTERFACE



FRONT VIEW - WALLMOUNT

ORDERING INFORMATION

COLOUR	ORDER REF	EAN
Black	BT7385/B	5019318305276

RELATED PRODUCTS

PRODUCT CODE	NAME	DESCRIPTION
BT7384	Full Motion Twin Screen Desk Mount	Designed for screens up to 28"
BT7383	Full Motion Double Arm Desk Mount	Designed for screens up to 28"
BT7382	Full Motion Single Arm Desk Mount	Designed for screens up to 28"
BT7373	Double Arm Desk Mount	Designed for screens up to 28"

© 2016 B.Tech. AV Mounts Corporation Ltd. All rights reserved.
 The information this specification sheet reflects the current technical specifications at the time of printing.
 We reserve the right to change the technical or physical specifications without prior notice. The B.Tech. name and the B.Tech. logo are registered trademarks of B.Tech. AV Mounts Corporation Ltd.
 B.Tech. is not responsible for any loss or damage caused by improper installation or mounting on unstable structures. Any reproduction or use without the express permission of B.Tech. AV Mounts Corporation Ltd. is prohibited.
 Specification sheet is strictly for reference. All other details are subject to change without prior notice.
 SS-V2-BT7385-040924