

BT7385

FULL MOTION WALL MOUNT WITH DOUBLE ARM

The BT7385 is a full motion, double arm wall mount designed for monitors and displays up to 28". The dual articulated arm features 360° screen rotation, easy tilt and height adjustment and three swivel points; 180° at the wall, 360° at the central pivot and 220° at the interface. This allows quick and easy repositioning of mounted displays to suit a range of different purposes as required. Cable management is integrated throughout the mount for a clean and tidy installation.



SPECIFICATIONS

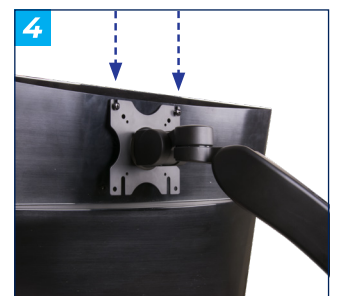
Recommended screen size	up to 28"
Max load	19.84lbs
VESA® compatibility	75 x 75 & 100 x 100
Tilt	+ 90°/-65°
Swivel at the wall	180°
Swivel at the interface	220°
Arm height adjustment	11.92"
Screen rotation	360°
Distance from wall	25.31"

FEATURES

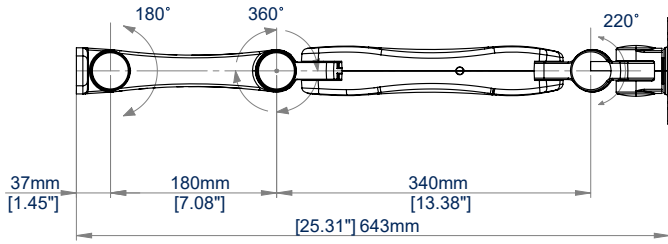
- 1 Integrated cable management
- 2 360° screen rotation
- 3 Full motion adjustability allows easy screen positioning for the perfect display
- 4 Simple 'hook-on' installation
 - Tool-less screen rotation for landscape/portrait orientation
 - Dual articulated arm wall mount made from aluminium with a coated finish
 - 3 swivel points, at the wall, arm pivot and interface
 - All mounting hardware included



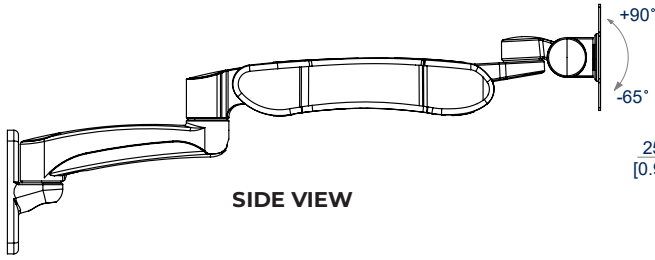
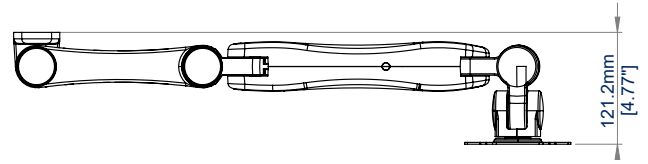
RECOMMENDED MAX SCREEN	MAX SCREEN WEIGHT	MAX VESA	HEIGHT ADJUSTMENT	TILT	SWIVEL	ROTATION	QR CODE
28" 71cm	33lbs	100		15° 15°	180°	360°	



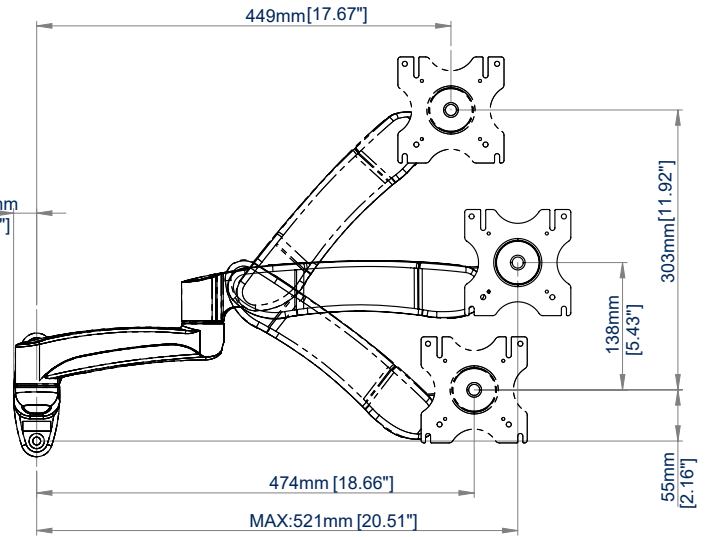
BT7385



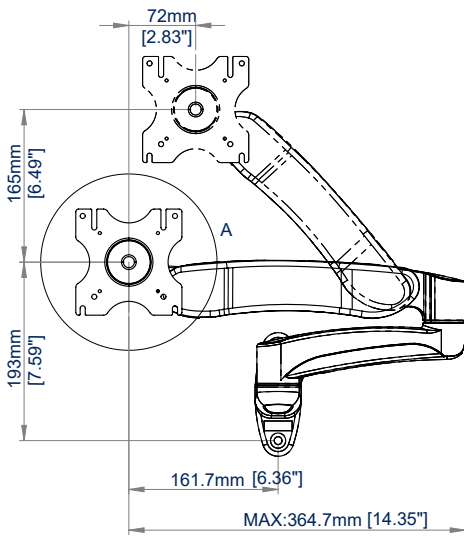
TOP VIEW



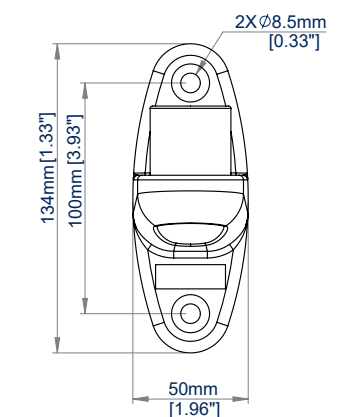
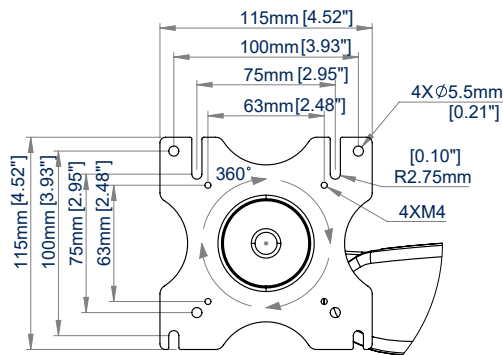
SIDE VIEW



FRONT VIEW - INTERFACE



FRONT VIEW



FRONT VIEW - WALLMOUNT

ORDERING INFORMATION

COLOR	ORDER REF	UPC
Black	BT7385/B	811867033090

RELATED PRODUCTS

PRODUCT CODE	NAME	DESCRIPTION
BT7384	Full Motion Twin Screen Desk Mount	Designed for screens up to 28"
BT7383	Full Motion Double Arm Desk Mount	Designed for screens up to 28"
BT7382	Full Motion Single Arm Desk Mount	Designed for screens up to 28"
BT7373	Double Arm Desk Mount	Designed for screens up to 28"

© 2016 B Tech, All Rights Reserved. The information this specification sheet reflects the current technical specifications as of the time of printing. B Tech reserves the right to change the technical or physical specifications without prior notice. This B Tech name and the B Tech logo are registered trademarks of B Tech, All Mounts, Corporation Ltd. B Tech is not responsible for any damage caused by improper installation or mounting on unstable structures. Any reproduction or use without the express written permission of B Tech, All Mounts, Corporation Ltd. is prohibited.

SS-V2-BT7385-081024-NA