

# BT7542

## INTERFACE ADAPTOR ARMS FOR VESA® 200 X 100 & 200 X 200

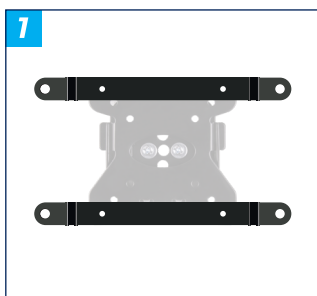
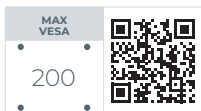
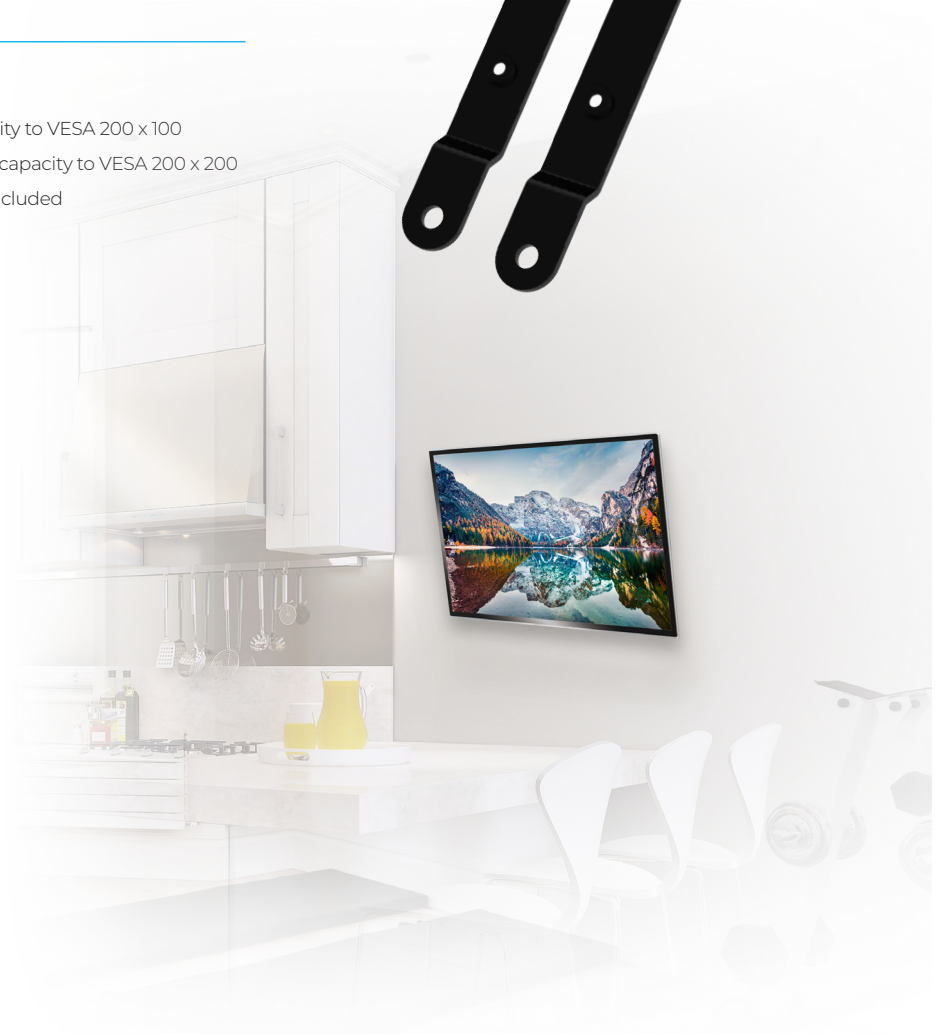
Designed to increase the screen mounting pattern of a VESA 100 interface to 200 x 100mm or a VESA 200 x 100 interface to a 200 x 200mm. The BT7542 adaptor arms easily fix onto a screen mount with the slimline design ensuring the depth of the install is kept to a minimum.

### SPECIFICATIONS

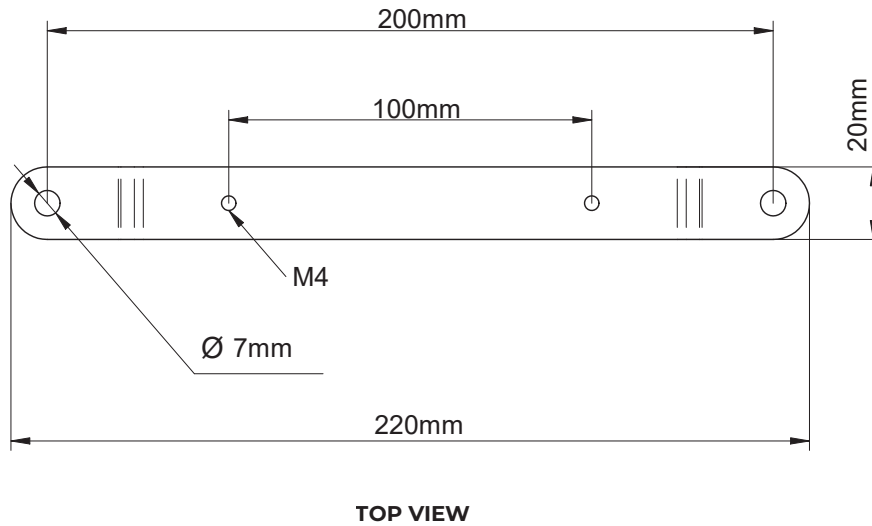
VESA® compatibility	<b>200 x 100</b> and <b>200 x 200</b>
Max load	Dependant on mount to which the <b>BT7542</b> is attached
Depth increase to the install	<b>7mm</b>
Colour	<b>Black</b>

### FEATURES

- 1** Attaches to VESA 100 interfaces to increase capacity to VESA 200 x 100
- 2** Attaches to VESA 200 x 100 interfaces to increase capacity to VESA 200 x 200
- Simple installation with all mounting hardware included



# BT7542



## ORDERING INFORMATION

COLOUR	ORDER REF	EAN
Black	BT7542/B	5019318079184

## RELATED PRODUCTS

PRODUCT CODE	NAME	DESCRIPTION
BT7540	Interface Adaptor Arms	Designed for VESA® 300 x 200 and 400 x 200
BT7510	Flat Screen Wall Mount	Designed for VESA® 50, 75, or 100 fixings
BT7502	Interface Adaptor Plate	Designed for VESA® 200 x 100 and VESA® 200 x 200
BT7564	Interface Adaptor Arms	Designed for VESA® 600 x 400

© 2018 B-Tech AV Mounts Corporation Ltd. All rights reserved.  
 The information this specification sheet reflects the current technical specifications at the time of printing.  
 We reserve the right to change the technical or physical specifications without prior notice. The B-Tech name and the B-Tech logo are registered trademarks of B-Tech AV Mounts Corporation Ltd.  
 B-Tech is not responsible for any damage or loss of data caused by improper installation or mounting on unstable structures. Any reproduction or reuse without our express permission is prohibited.  
 specification sheet is strictly prohibited unless prior written permission is granted by B-Tech AV Mounts Corporation Ltd. B-Tech

SS-V2-BT7542-090924