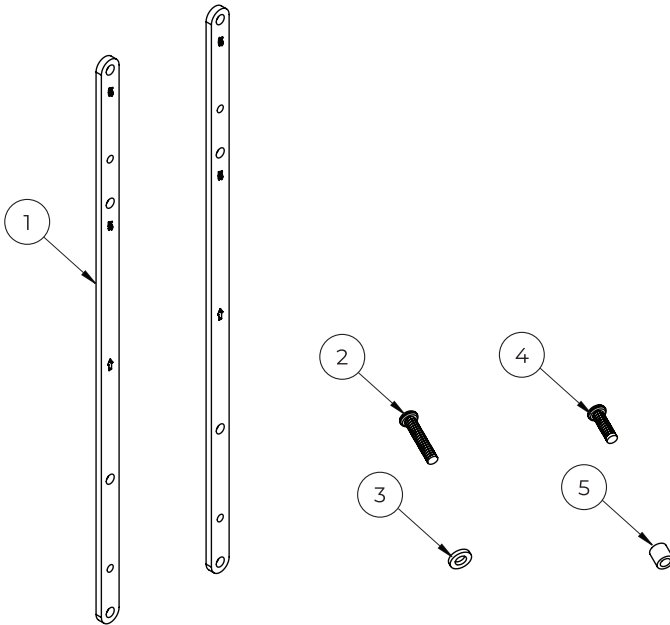


Interface Adaptor Arms For Samsung[®] Flip 2

Installation Guide



Item	Description	Qty
1	Adaptor Arms	2
2	M8 x 40mm Screw	4
3	M8 Plastic Washer	4
4	M8 x 25mm Screw	4
4	M8 Metal Washer	4

Designed to mount Samsung Flip 2 displays (55" & 65") to B-Tech Rotation mounts



Installation Safety Instructions



Caution: This mount is intended for use only with the maximum weights indicated. Use with equipment heavier than the maximum indicated may result in instability causing possible injury.

B-Tech AV Mounts, it's distributors and dealers are not responsible for damage or injury caused by improper installation, improper use, modifications, installations over the specified weight capacity and/or failure to observe these safety instructions. In such cases, any warranty will expire.

It is recommended that this product should only be installed by a qualified professional / installer.

B-Tech AV Mounts does not claim any liability for any difficulties that may arise from the interpretation contained in these instructions. Failure to mount this product correctly may lead to serious injury and/or death.

Please check carefully to make sure there are no missing or defective parts - defective parts must never be used.

In the event of missing and/or defective parts, or technical questions, please contact an authorised dealer.

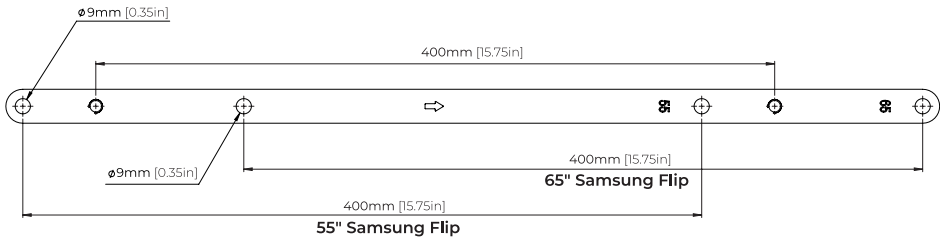
Pay careful attention to where this product is located, some locations are not suitable for installation. For indoor use only. It is recommended that periodic inspections of the product are made as frequently as possible to ensure that safety is maintained.

Please keep these instructions for future reference.

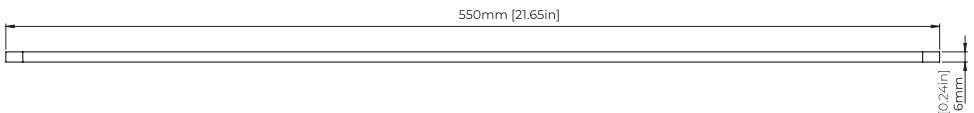
BT7550-SF2 Dimensions

Please keep this for future reference

Front View



Side View



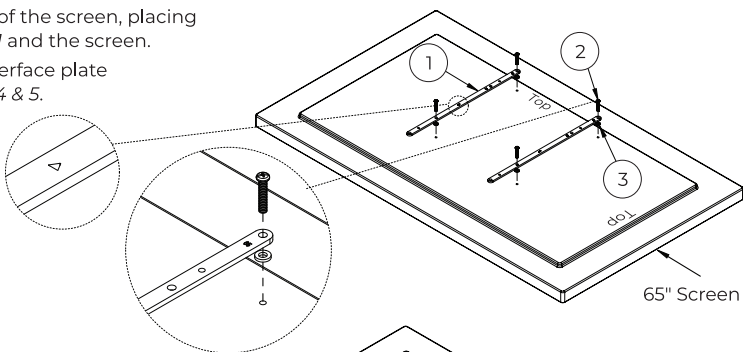
These instructions are intended as a guide only and B-Tech accepts no liability for the accuracy of the information contained in this document.

Installation Instructions

Assembly For 65" Samsung Flip 2 Screen

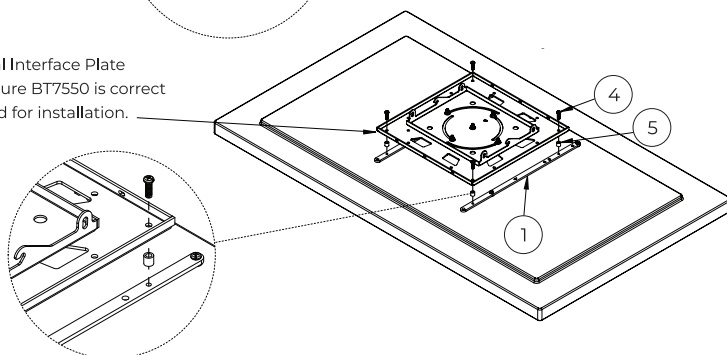
- i. Fix *item 1* to the back of the screen, placing *item 2* between *item 1* and the screen.
- ii. Attach the BT7550 interface plate to *item 1* using *items 4 & 5*.

Note: Ensure arrow is pointing towards the top of the screen.

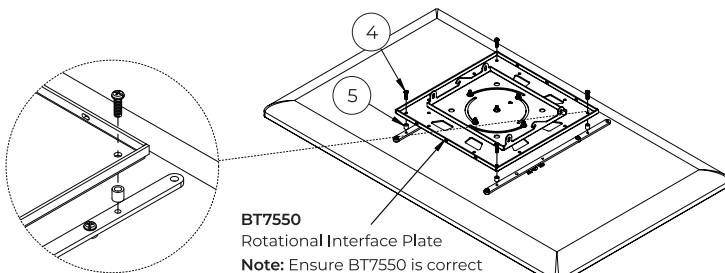
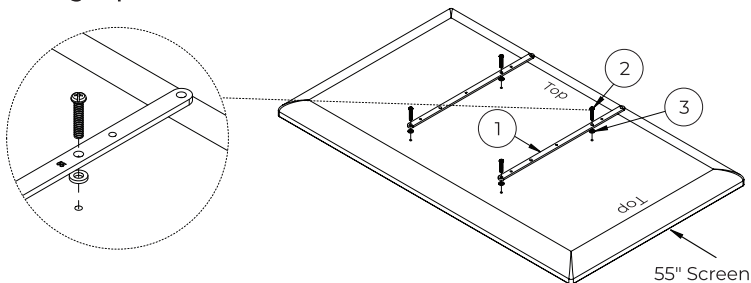


BT7550
Rotational Interface Plate

Note: Ensure BT7550 is correct way round for installation.



Assembly For 55" Samsung Flip 2 Screen



BT7550
Rotational Interface Plate
Note: Ensure BT7550 is correct way round for installation.

Contact: info@btechavmounts.com

©2024 B-Tech AV Mounts Corporation Ltd. All rights reserved.

B-Tech AV Mounts is a division of B-Tech AV Mounts Corporation Ltd.

B-Tech AV Mounts and the B-Tech logo are registered trademarks.

All B-Tech images and symbols are exclusive property of B-Tech AV Mounts Corporation Ltd.

All other brands and product names are trademarks of their respective owners.

Any reproduction, retransmission or republication of any part of this manual is strictly prohibited, unless prior written permission has been granted by B-Tech AV Mounts Corporation Ltd.

Photographs are for illustrative purposes only. E&OE

AMA-BT7550-SF2-V2-0324-123 Made in the P.R.C.

