

# BT7551

## FLAT SCREEN CEILING/DESK MOUNT FOR Ø50MM POLES

Designed to fit onto B-Tech's System 2 Ø50mm poles, the BT7551 is a flat screen mount which can be used to mount screens up to 23kg from the ceiling, floor, or to a desktop. With easy toolless adjustment of tilt, swivel and screen rotation, this mount is ideal for landscape or portrait screen mounting and makes it quick and simple to switch between the two. The BT7551 can also be ordered as part of a complete mounting solution, with a choice of Black or Chrome poles and a ceiling / floor mount (please see the BT7553 for more information).

### SPECIFICATIONS

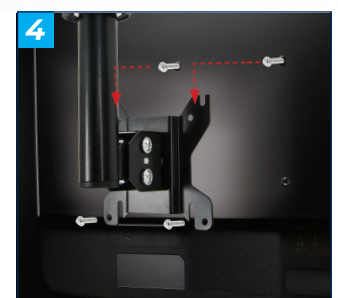
Recommended screen size	up to <b>28"</b>
Max load	<b>23kg</b>
VESA® compatibility	<b>75x75 &amp; 100x100</b>
Tilt	<b>+90° / -15°</b>
Swivel	<b>360°</b>
Screen Rotation	<b>360°</b>

### FEATURES

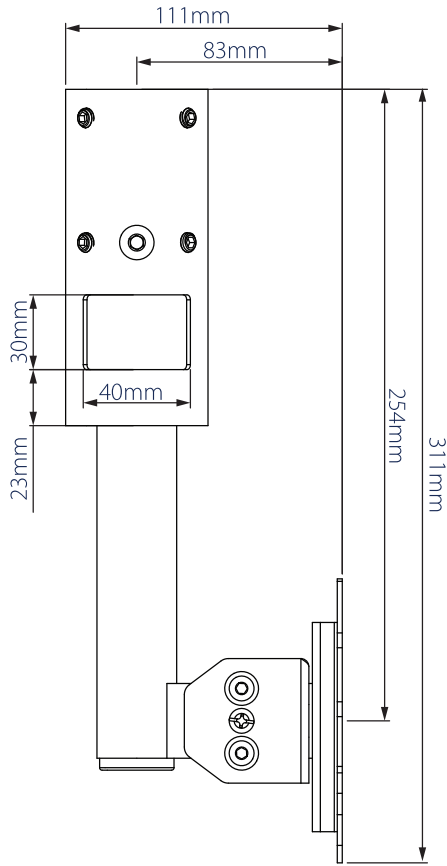
- 1 Suitable for use with B-Tech's range of System 2 poles and ceiling mounts
- 2 Integrated cable management for a neat and tidy installation
- 3 Easy tool-less adjustment of tilt, swivel and screen rotation
- 4 Simple 'hook-on' installation
  - Mounts flat screens to Ø50mm poles
  - Mounts screens from the ceiling, floor or to a desktop
  - Integrated cable management through the top or side of the mount
  - Included grub screws allow micro-adjustment of pole angle



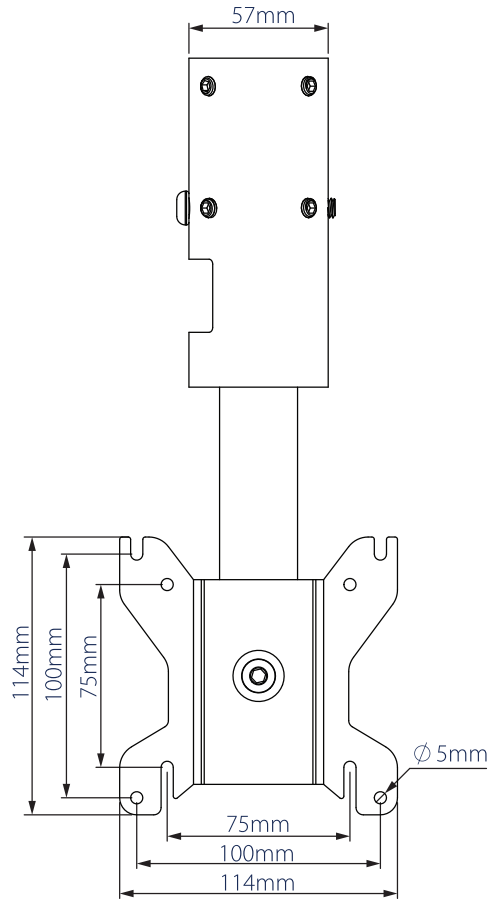
RECOMMENDED MAX SCREEN	MAX LOAD	MAX VESA	TILT	SWIVEL	ROTATION	QR CODE
28" 71cm	23kg	100	15° 90°	180°	360°	



# BT7551



**SIDE VIEW**



**FRONT VIEW**

## ORDERING INFORMATION

COLOUR	ORDER REF	EAN
Black	BT7551/B	5019318759048

## RELATED PRODUCTS

PRODUCT CODE	NAME	DESCRIPTION
BT7850	Ø50mm Poles	Designed for ceiling, floor to floor-to-ceiling installations
BT7822	Ceiling / Floor Mount	Mounting solution designed to mount Ø50mm poles to the floor or ceiling
BT7553	Flat Screen Ceiling / Desk Mount	Solution to mount screens up to 23kg from ceiling, floor, or to a desktop
BT7851	Adjustable Drop Ceiling Mount	Designed for use with B-Tech's System 2 and System X range of products

© 2018 B-Tech AV Mounts Corporation Ltd. All rights reserved.  
 The information this specification sheet reflects the current technical specifications at the time of printing.  
 We reserve the right to change the technical or physical specifications without prior notice. The B-Tech name and the B-Tech logo are registered trademarks of B-Tech AV Mounts Corporation Ltd.  
 B-Tech is not responsible for loss or damage caused by improper installation or mounting on unstable structures. Any reproduction or use without permission or registration of any part of this specification sheet is strictly prohibited unless prior written permission is granted by B-Tech AV Mounts Corporation Ltd. B-Tech.

SS-V2-BT7551-020924