

BT7592

FULL MOTION ARTICULATING WALL ARM MEDICAL MOUNT FOR SCREENS FROM 3KG - 5KG

Designed for flat screens up to 28", this full motion wall arm is ideal for mounting behind hospital beds. Supplied with an optional handle for easy screen positioning, it features tilt adjustment and 360° screen rotation in any direction, to display the screen in landscape or portrait style. The space saving design enables the mount to be folded flat to the wall when not in use.

SPECIFICATIONS

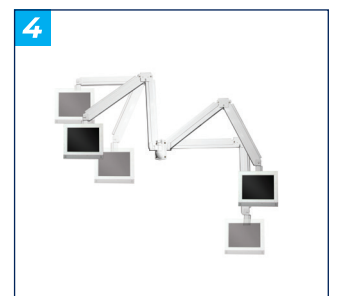
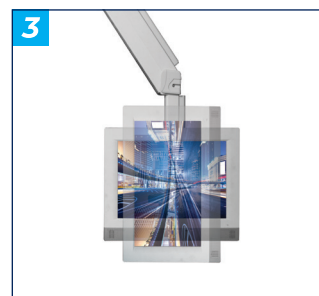
Recommended screen size	up to 28"
Min and max load	3kg - 5kg
VESA® compatibility	75 x 75 and 100 x 100
Tilt	+/-100°
Swivel	180°
Rotation	360°
Extension	up to 1650mm
Colour	White

FEATURES

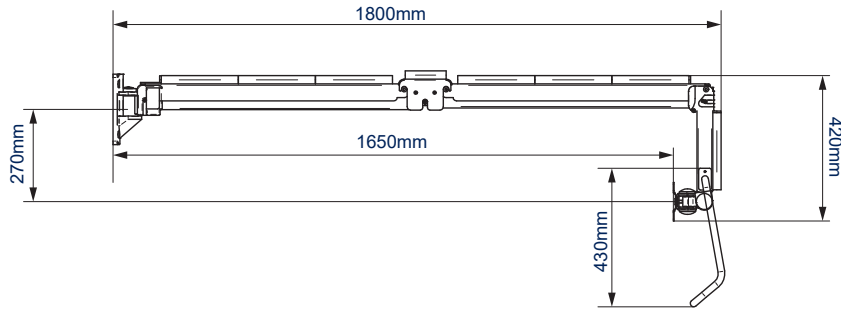
- 1 Supplied with optional handle for easy screen positioning
 - 2 Space saving design folds flat to the wall when not in use
 - 3 360° rotation allows screen to be positioned in any orientation
 - 4 Tool-less tilt and swivel adjustment allows for perfect positioning
- Full motion mount ideal for corner mounting
 - Arm extension allows screen to be positioned up to 1650mm from the wall
 - Manufactured with Interpon® anti-bacterial powder coating, shown in tests to reduce bacterial population by a minimum of 99%
 - Integrated cable management for a neat and tidy installation



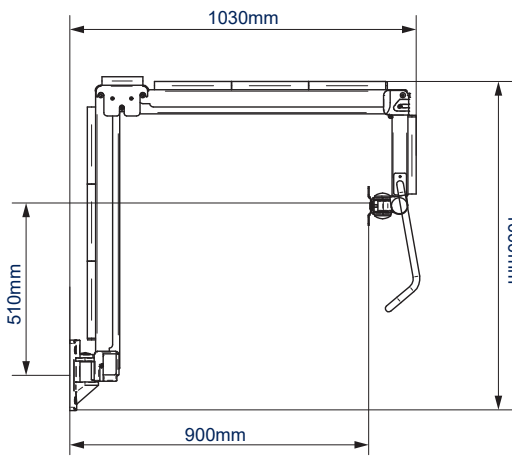
RECOMMENDED MAX SCREEN	MAX LOAD	MAX VESA	TILT	SWIVEL	ROTATION	ANTIBACTERIAL POWDER COATING	QR CODE
28" 71cm	3-5kg	100	100° 100°	360°	360°		



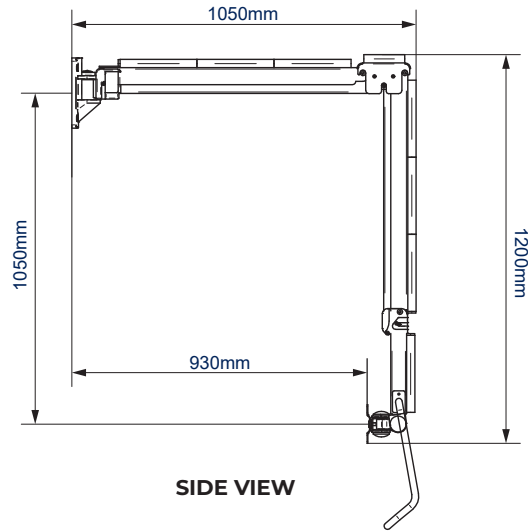
BT7592



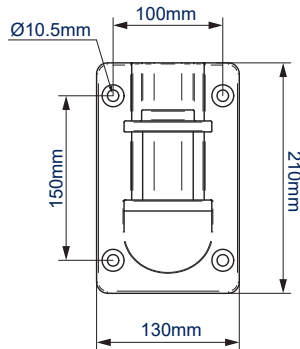
SIDE VIEW - MAXIMUM EXTENSION



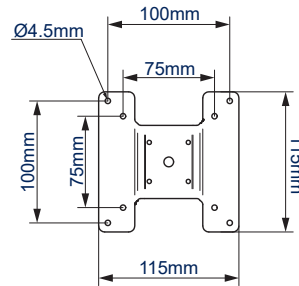
SIDE VIEW



SIDE VIEW



WALL PLATE



INTERFACE

ORDERING INFORMATION

COLOUR	ORDER REF	EAN
White	BT7592-W	5019318758980

RELATED PRODUCTS

PRODUCT CODE	NAME	DESCRIPTION
BT7593	Medical Wall Arm Mount	Designed for screens up to 8kg
BT7513	Twin Cantilever Arm Wall Mount with Tilt & Swivel	Designed for screens up to 75"
BT7383	Full Motion Double Arm Desk Mount	Designed for screens up to 32"
BTV504	Double Arm Wall Mount with Tilt & Swivel	Designed for screens up to 42"

© 2016 B-Tech AV Mounts Co., Ltd. All rights reserved.
 The information in this specification sheet reflects the current technical specifications at the time of printing.
 We reserve the right to change the technical or physical specifications without prior notice. The B-Tech name and the B-Tech logo are registered trademarks of B-Tech AV Mounts Co., Ltd.
 B-Tech is not responsible for any damage or loss of data caused by improper installation or mounting on unstable structures. Any reproduction or use without permission or registration of any part of this specification sheet is strictly prohibited unless prior written permission is granted by B-Tech AV Mounts Co., Ltd. 2016.

SS-V3-BT7592-030924