

BT7594

FULL MOTION ARTICULATING ARM MEDICAL CEILING MOUNT FOR SCREENS FROM 4.4LBS - 17.6LBS

Designed for flat screens up to 28", this full motion ceiling mount is ideal for mounting above and beside hospital beds. Supplied with an optional handle for easy screen positioning and a built-in gas spring system that offers simple height and distance adjustment. The full motion design enables the mount to be folded away when not in use.

SPECIFICATIONS

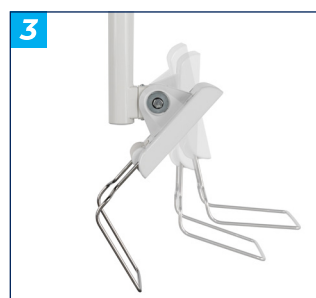
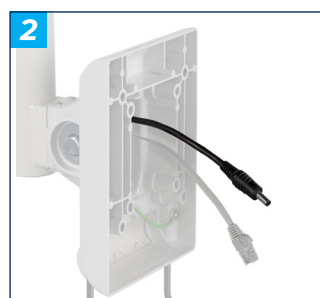
Recommended screen size	up to 28"
Min and max load	4.4lbs - 17.6lbs
VESA® compatibility	75 x 75 & 100 x 100
Tilt	-10° / +40°
Swivel	330°
Extension	up to 74.6"

FEATURES

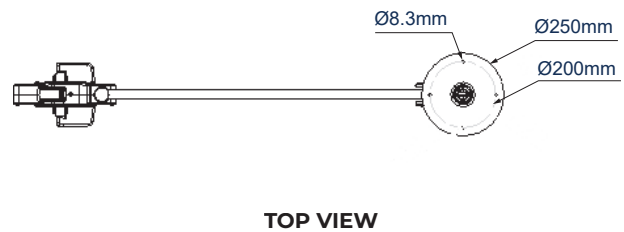
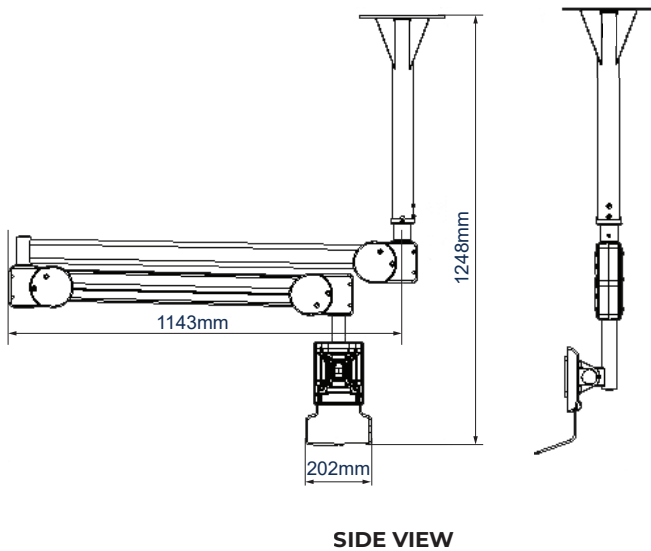
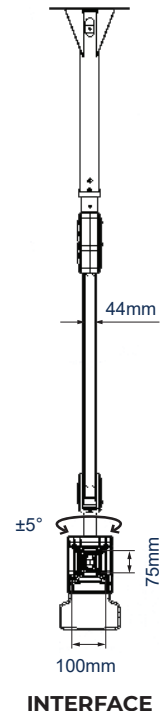
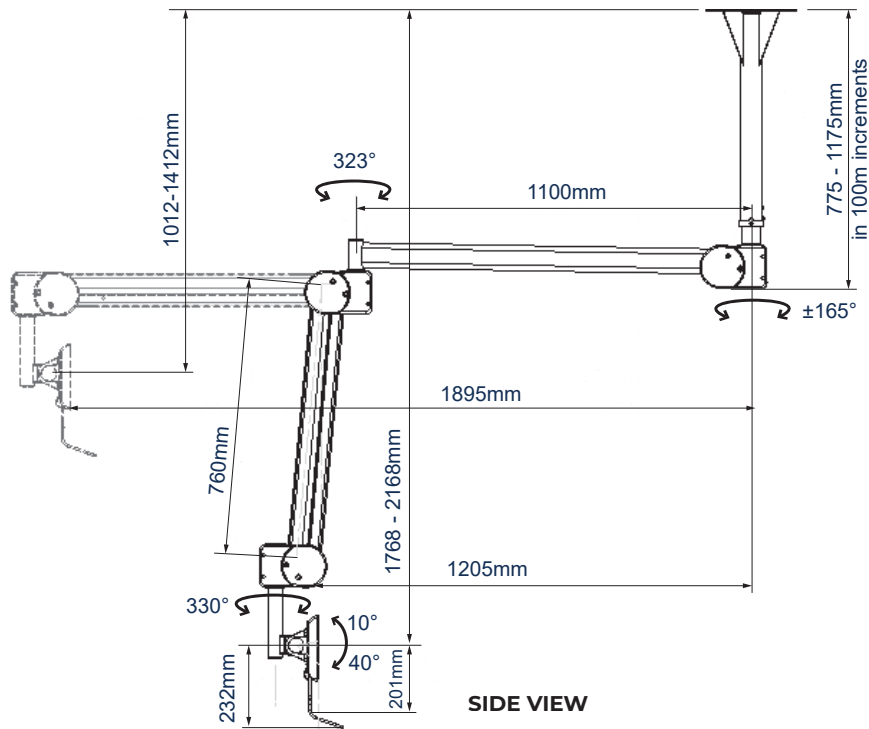
- 1 Supplied with optional handle for easy screen positioning
- 2 Pre-installed power (DC Jack Cable) & cat 6 flat cable (LAN cable) inside arm
- 3 Features screen tilt and swivel functions
- 4 Tool-less tilt and swivel adjustment allows for perfect positioning
 - Full motion mount designed for ceiling mounting
 - Arm extension allows screen to be positioned up to 74.6" from the center of the mount
 - Adjustable ceiling drop height in 3.9" increments
 - Built-in spring system offers easy height and distance adjustment
 - Manufactured with Interpon® anti-bacterial powder coating, shown in tests to reduce bacterial population by a minimum of 99%
 - Integrated cable management



RECOMMENDED MAX SCREEN	MAX SCREEN WEIGHT	MAX VESA	TILT	SWIVEL	ANTIBACTERIAL POWDER COATING	QR CODE
28" 71cm	17.6lbs	100	10° 40°	330°		



BT7594



ORDERING INFORMATION

COLOR	ORDER REF	BARCODE
White	BT7594/B	5019318305894

RELATED PRODUCTS

PRODUCT CODE	NAME	DESCRIPTION
BT7592	Medical Wall Arm Mount	Designed for screens up to 11lbs
BT7593	Medical Wall Arm Mount	Designed for screens up to 17.6lbs
BT7383	Full Motion Double Arm Desk Mount	Designed for screens up to 32"
BT7553	Flat Screen Ceiling Mount	Designed for screens up to 50.7lbs

© 2016 B-Tech, AV Mounts Corporation Ltd. All rights reserved.
The information in this specification sheet reflects the current technical specifications at the time of printing.
We reserve the right to change the technical or physical specifications without prior notice. The B-Tech name and the B-Tech logo are registered trademarks of B-Tech, AV Mounts Corporation Ltd.
B-Tech is not responsible for any damage or loss of data caused by improper installation or mounting on unstable structures. Any reproduction or reuse of information or images without the express written permission of B-Tech, AV Mounts Corporation Ltd. is prohibited.
Specification sheet is strictly for informational purposes and does not constitute an offer or a contract.

SS-V2-BT7594-300625