

BT7613-SAM32

BACK-TO-BACK STAND WITH TILT AND SECURITY COVER FOR SAMSUNG 32" E-PAPER

Official Mounting Partner for
SAMSUNG
E-Paper

The **BT7613-SAM32** is a freestanding floor stand designed to mount two **Samsung 32" E-Paper EMDX** displays back-to-back. Its lightweight, minimalist structure provides a clean and elegant solution for presenting dual screens in public or commercial environments. Featuring protective rear covers and integrated cable management, the stand is supplied with all required mounting components for a quick, straightforward installation with options to remove the base cover or to bolt the stand directly to the floor. Ideal for retail, wayfinding and public spaces, maximising visibility from both sides while maintaining a small footprint.

SPECIFICATIONS

Designed for use with	Samsung 32" E-Paper EMDX
Recommended max tilt	15° upwards / 15° downwards
Dimensions without screen (Portrait)	W: 18.8" H: 57.8" D: 18.5"
Dimensions without screen (Landscape)	W: 26.5" H: 50.3" D: 18.5"
Max storable power bank size	W: 7.5" H: 4.3" D: 1.1"
Height adjustable feet	+0.6"
Color	White

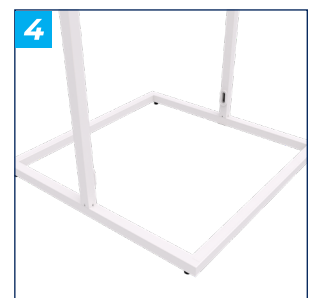
FEATURES

- 1 Simple tilt adjustment for optimal viewing angles
- 2 Lockable compartment provides storage for a power bank
- 3 Features up and down tilt adjustment
- 4 For an alternative aesthetic, use without optional base cover*
 - Rear covers can be assembled to cover the displays ports or both ports and buttons
 - Screens hook on-off for ease of access
 - Kensington Lock slot (lock not included) for enhanced theft protection
 - Mounts screens in both portrait and landscape orientation
 - Floor-fix capability if required (fixings not included)
 - Height-adjustable feet ensure stability on uneven surfaces
 - Provision for fixing a lighting bar
 - For indoor use only
- **100% plastic free packaging**

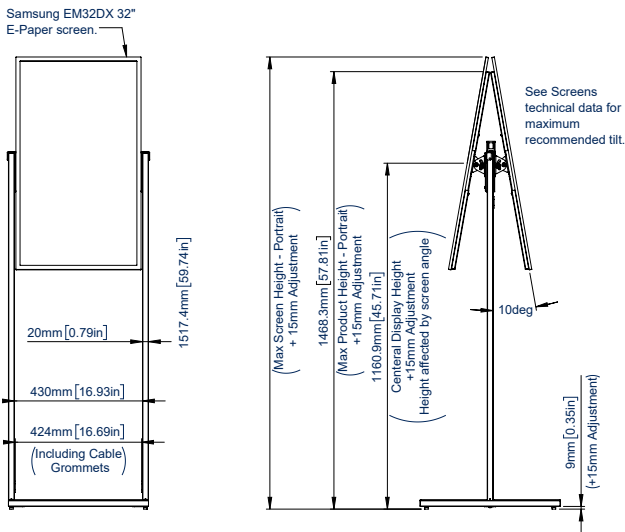


RECOMMENDED MAX SCREEN	MAX LOAD PER SCREEN	MAX VESA	TILT	PLASTIC FREE PACKAGING	QR CODE
32" 81cm	22lbs	200 x 200	15° 15°		

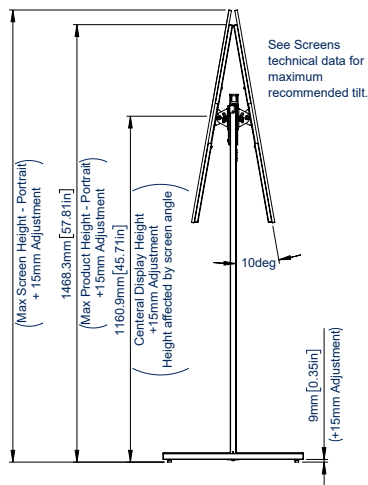
*Max load per screen reduced to 15lbs per screen when installed without base cover



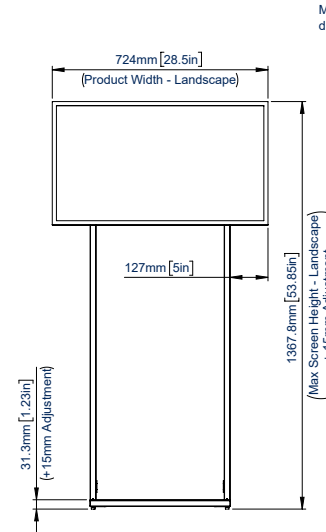
BT7613-SAM32



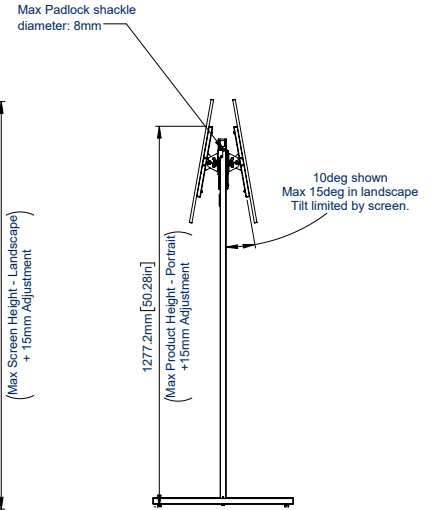
**FRONT VIEW
PORTRAIT ORIENTATION
WITH SAMSUNG
32\"/>**



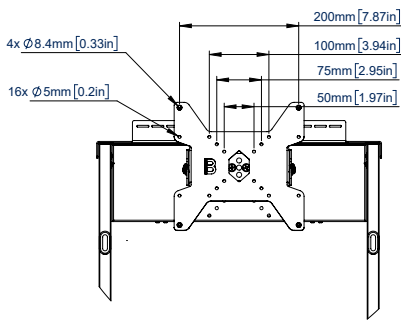
**SIDE VIEW
PORTRAIT ORIENTATION
WITH SAMSUNG
32\"/>**



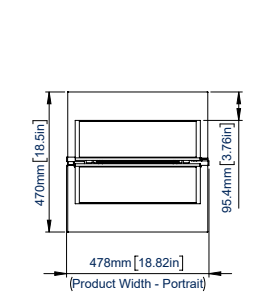
**FRONT VIEW
LANDSCAPE ORIENTATION
WITH SAMSUNG
32\"/>**



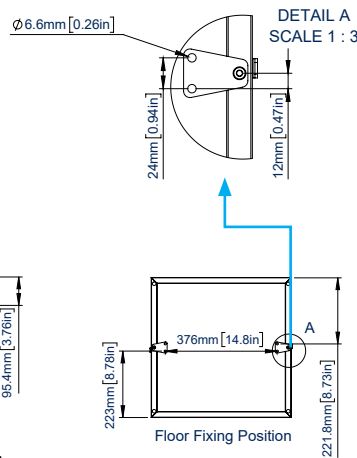
**SIDE VIEW
LANDSCAPE ORIENTATION
WITH SAMSUNG
32\"/>**



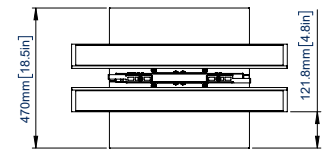
**MOUNTING
INTERFACE**



**TOP VIEW
PORTRAIT ORIENTATION**



**BOTTOM VIEW
FLOOR FIXING
POINTS**



**TOP VIEW
LANDSCAPE ORIENTATION**

ORDERING INFORMATION

COLOR	ORDER REF	BARCODE
White	BT7613-SAM32/W	5019318310232

RELATED PRODUCTS

PRODUCT CODE	NAME	DESCRIPTION
BT7612-SAM32	Floor Stand with Tilt	For a single Samsung 32" E-Paper EMDX
BT7611-SAM32	Wall Mount with Tilt	For a single Samsung 32" E-Paper EMDX
BT8326	Floor Mount for Samsung OM55N-D Series	For Samsung OM55N-D 55" Double Sided Displays
BT9370-SAM130	Freestanding AIO Videowall Stand	For Samsung All-in-One 130 inch IAB Display

© 2025 B-Tech AV Mounts Corporation Ltd. All rights reserved. The information in this specification sheet reflects the current technical specifications as of the time of printing. We reserve the right to change the technical or physical specifications without prior notice. This B-Tech name and the B-Tech logo are registered trademarks of B-Tech AV Mounts Corporation Ltd. B-Tech is a registered trademark of B-Tech AV Mounts Corporation Ltd. B-Tech is not responsible for any loss or damage caused by improper installation or mounting on unstable structures. Any reproduction or use of information or specification of any part of this specification sheet is strictly prohibited unless prior written permission is granted by B-Tech AV Mounts Corporation Ltd. (BTL).