

BT7671-AD-SAM32

ADJUSTABLE CEILING MOUNT WITH TILT FOR SAMSUNG 32" E-PAPER

Official Mounting Partner for
SAMSUNG
 E-Paper

The **BT7671-AD-SAM32** is a purpose-designed adjustable drop ceiling mount for the **Samsung 32" E-Paper EMDX** display. Its sleek, secure design makes it ideal for retail environments, wayfinding applications, and other public spaces. The mount features a combined port and battery compartment cover with an integrated power bank cradle, allowing the power bank to remain neatly concealed behind the display while charging. For enhanced security, the cover can be configured to restrict access to the ports only, or to both the ports and battery compartment, helping to prevent tampering in public areas. Quick to install, the BT7671-AD-SAM32 offers a clean, secure, and professional mounting solution for Samsung E-Paper displays.

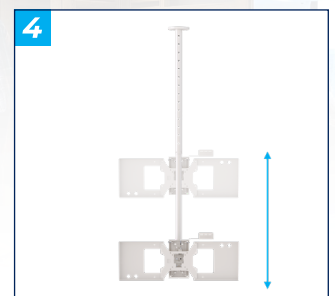
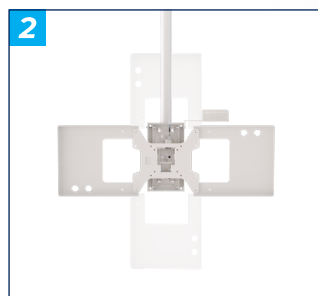
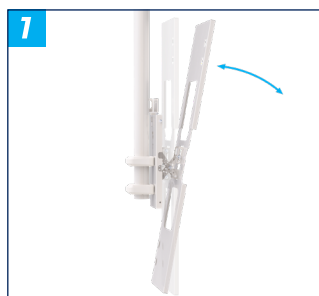
SPECIFICATIONS

Designed for use with	Samsung 32" E-Paper EMDX
Adjustable drop height (to centre of screen)	Min: 765mm Max: 1403mm
Tilt	10° upward / 10° downward
Ceiling plate diameter	Ø128mm
Inner pole diameter	Ø38mm
Max dimensions for power bank	W: 150mm H: 150mm D: 23mm
Colour	White

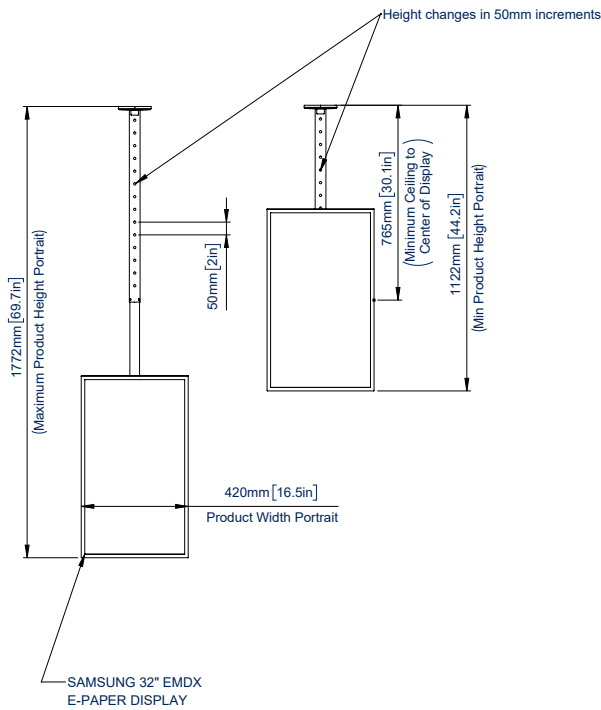
FEATURES

- 1 Easy tilt adjustment with precision micro-adjustment
- 2 Mounts displays in a portrait or landscape orientation
- 3 Integrated power bank cradle allows discreet battery installation behind the display
- 4 Adjustable drop in 50mm increments, up to 650mm
 - An additional mount (BT7611) can be added to create a back-to-back installation
 - Service position provides easy access to the rear of the display for maintenance
 - Locks at 0° or the selected tilt angle
 - Cover can be fitted to restrict access to buttons and ports, preventing display tampering
 - Simple hook-on installation enables fast and straightforward assembly
- **100% plastic free packaging**

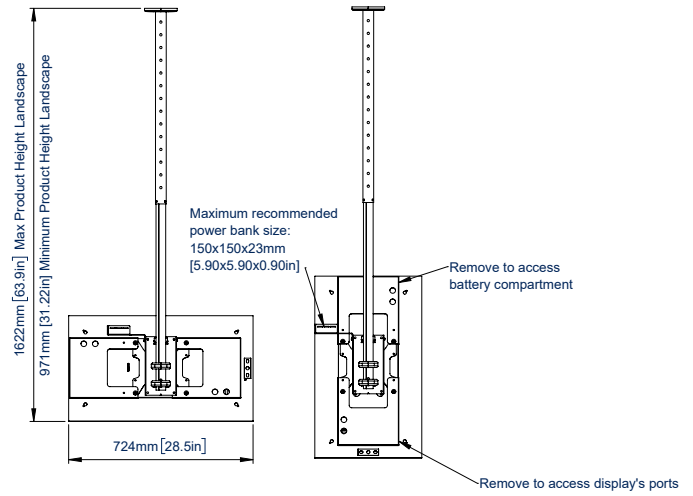
TILT	HEIGHT ADJUSTMENT	PLASTIC FREE PACKAGING	



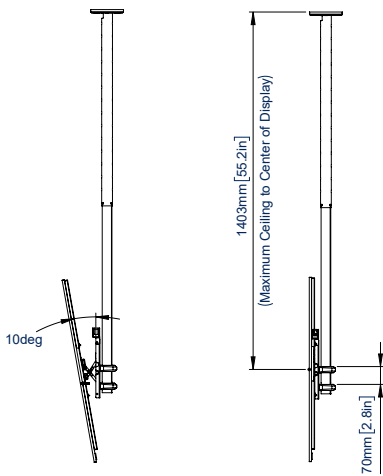
BT7671-AD-SAM32



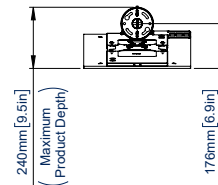
**FRONT VIEW
PORTRAIT ORIENTATION
WITH SAMSUNG 32" E-PAPER**



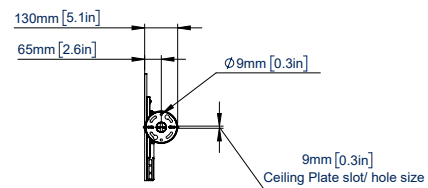
**REAR VIEW
WITH SAMSUNG 32" E-PAPER**



**SIDE VIEW - TILT
PORTRAIT ORIENTATION
WITH SAMSUNG 32" E-PAPER**



**TOP VIEW - TILT
PORTRAIT ORIENTATION
WITH SAMSUNG 32" E-PAPER**



**TOP VIEW
PORTRAIT ORIENTATION
WITH SAMSUNG 32" E-PAPER**

ORDERING INFORMATION

COLOUR	ORDER REF	EAN
White	BT7671-AD-SAM32/W	5019318311116

RELATED PRODUCTS

PRODUCT CODE	NAME	DESCRIPTION
BT7671-100-SAM32	Ceiling Mount with Tilt - 1M	For Samsung 32" EMDX E-Paper Display
BT7671-200-SAM32	Ceiling Mount with Tilt - 2M	For Samsung 32" EMDX E-Paper Display
BT7611-SAM32	Wall Mount with Tilt	For Samsung 32" EMDX E-Paper Display
BT7612-SAM32	Floor Stand with Tilt	For Samsung 32" EMDX E-Paper Display

© 2024 B.Tech. All Rights Reserved. B.Tech. is a registered trademark of B.Tech. AV Mounts Corporation Ltd. The information in this document is subject to change without notice. B.Tech. AV Mounts Corporation Ltd. is not responsible for any damage or loss of data caused by improper installation or use of the product. Any reproduction or use of the information in this document without the prior written permission of B.Tech. AV Mounts Corporation Ltd. is prohibited.