

BT7803

WALL MOUNT FOR Ø2" POLES

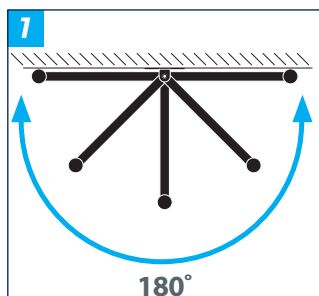
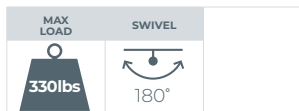
The BT7803 is a robust mounting solution designed to wall mount Ø2" poles. Capable of supporting heavy loads, it is an ideal solution for pole mounting flat screen displays or projectors where ceiling mounting is not an option. With a built in 180° swivel adjustment for flexible positioning, the single arm extends 21" from the wall whilst securely holding the pole in place.

SPECIFICATIONS

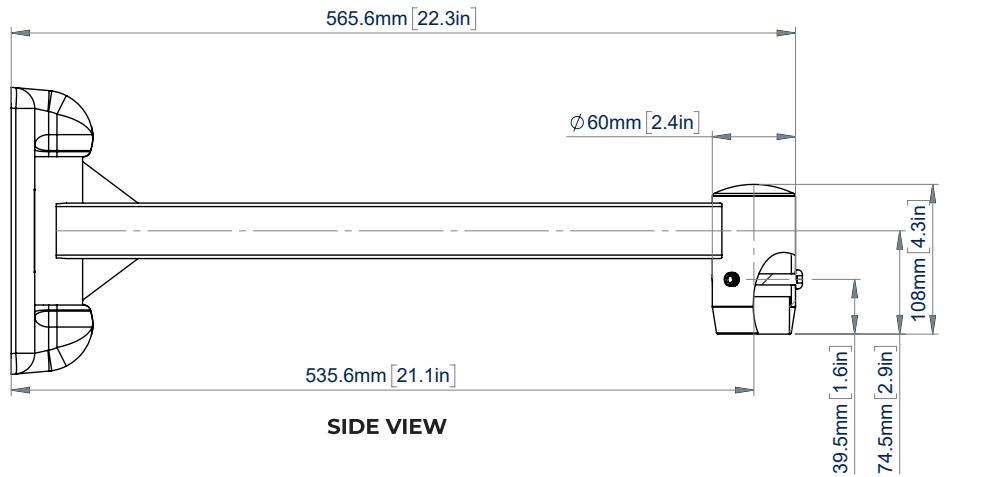
Max load	330lbs
Swivel	180°
Arm length	21"
Color	Black

FEATURES

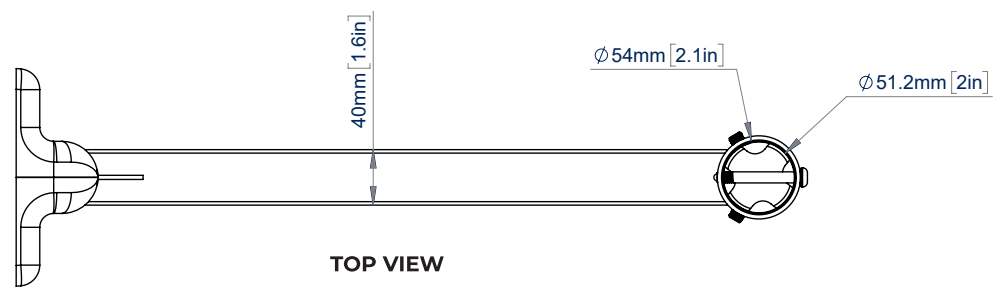
- 1 Single arm with 180° swivel at wall plate
 - 2 Includes cover plate for a neat and tidy installation
 - 3 For use with Ø2" poles
 - 4 Ideal for wall mounting projectors when ceiling mounting is not an option
- Heavy duty steel capable of supporting substantial loads
 - Supplied with safety bolt for secure installation



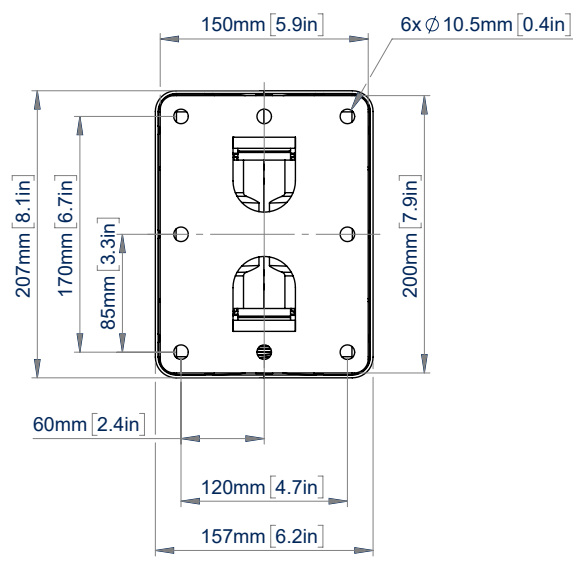
BT7803



SIDE VIEW



TOP VIEW



FRONT VIEW

ORDERING INFORMATION

COLOR	ORDER REF	BARCODE
Black	BT7803/B	5019318078057

RELATED PRODUCTS

PRODUCT CODE	NAME	DESCRIPTION
BT7850	2" Diameter Poles	Available in different lengths up to 0.1"
BT7831	Wall Mounting Bracket	Allows Ø2" poles to be mounted vertically on to walls
BT7808	Ceiling / Wall Mount With Tilt	Designed to mount a Ø2" pole to a flat or angled ceiling
BT7822	Heavy Duty Ceiling / Floor Mount	For use with Ø2" pole

© 2015 B Tech AV Mounts Co. Ltd. All rights reserved. The information in this specification sheet reflects the current technical specifications at the time of printing. We reserve the right to change the technical or physical specifications without prior notice. The B Tech name and the B Tech logo are registered trademarks of B Tech AV Mounts Co. Ltd. B Tech is a registered trademark of B Tech AV Mounts Co. Ltd. B Tech is not responsible for any loss or damage caused by improper installation or mounting on unsuitable structures. Any reproduction or use of information or specification of any part of this specification sheet is strictly prohibited unless prior written permission is granted by B Tech AV Mounts Co. Ltd. 55-V2-BT7803-050725