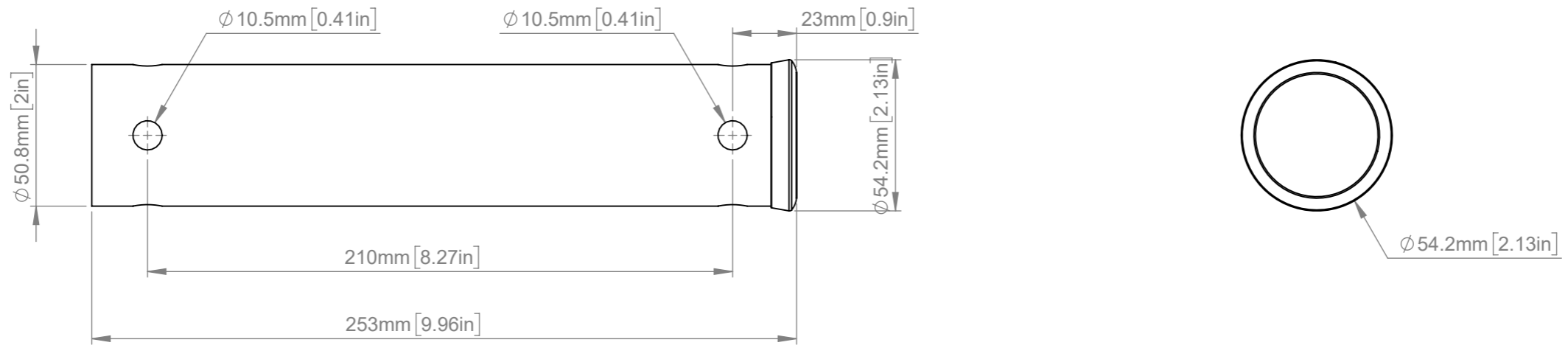
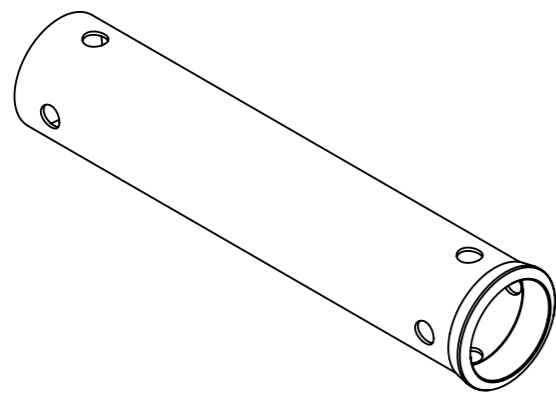
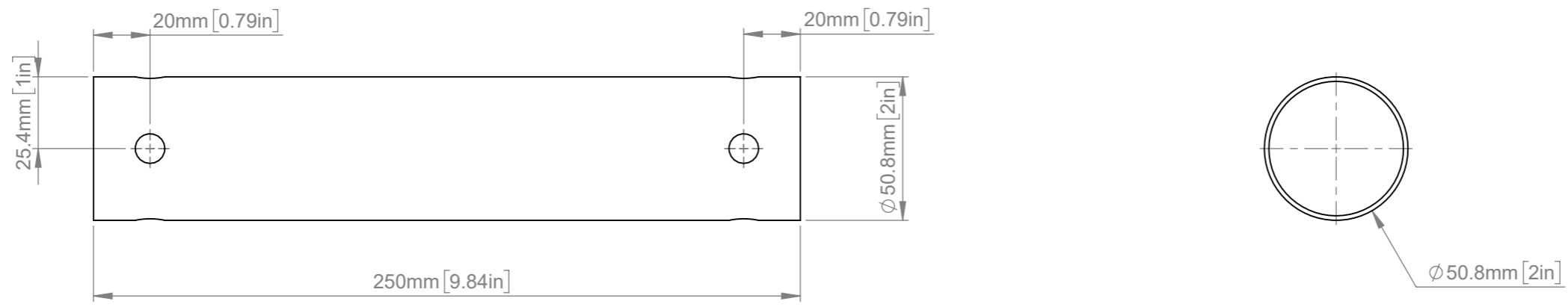



With End Cap



Without End Cap



ISOMETRIC VIEW
SCALE: 1 : 3

B-Tech International Design & Manufacturing Limited Part of the B-Tech International Group		B-Tech No:	BT7850-025	
		Title:	SYSTEM 2 - $\phi 50\text{mm}$ Pole - 0.25m	
 UNLESS OTHERWISE SPECIFIED DIMENSIONS ARE IN MILLIMETERS	Size:	A3	Revision:	R00
	Scale:	1:2	Date:	17/03/2022
	Sheet:	1 of 1	File Name:	BTD-BT7850-025