

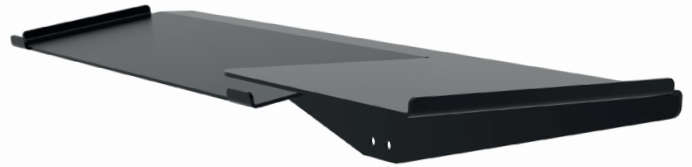
# BT7865

## COMPUTER PERIPHERAL SHELF

The BT7865 is a steel shelf designed to hold a keyboard and mouse. Suitable for use with the B-Tech range of flat screen trolleys and floor stands, ceiling mount and floor-to-ceiling pole mounted solutions using 2 single collars. Available in durable Black powder coat finish - ideal for long term use in rental applications.

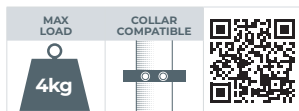
### SPECIFICATIONS

|                       |                    |
|-----------------------|--------------------|
| Max load              | <b>4kg</b>         |
| Dimensions (keyboard) | <b>465 x 175mm</b> |
| Dimensions (mouse)    | <b>230 x 255mm</b> |
| Colour                | <b>Black</b>       |

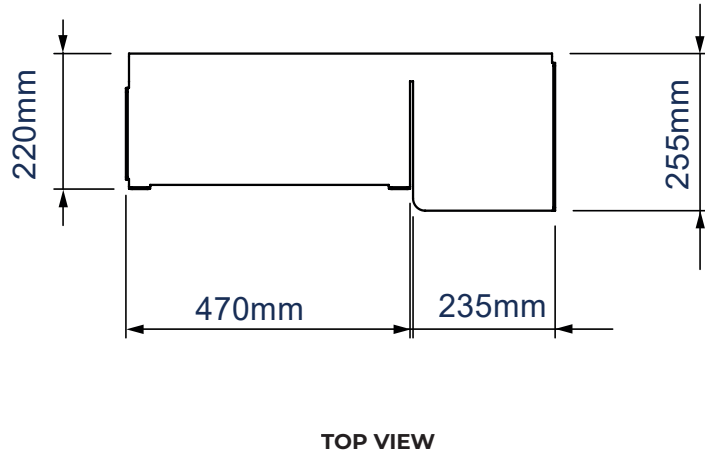
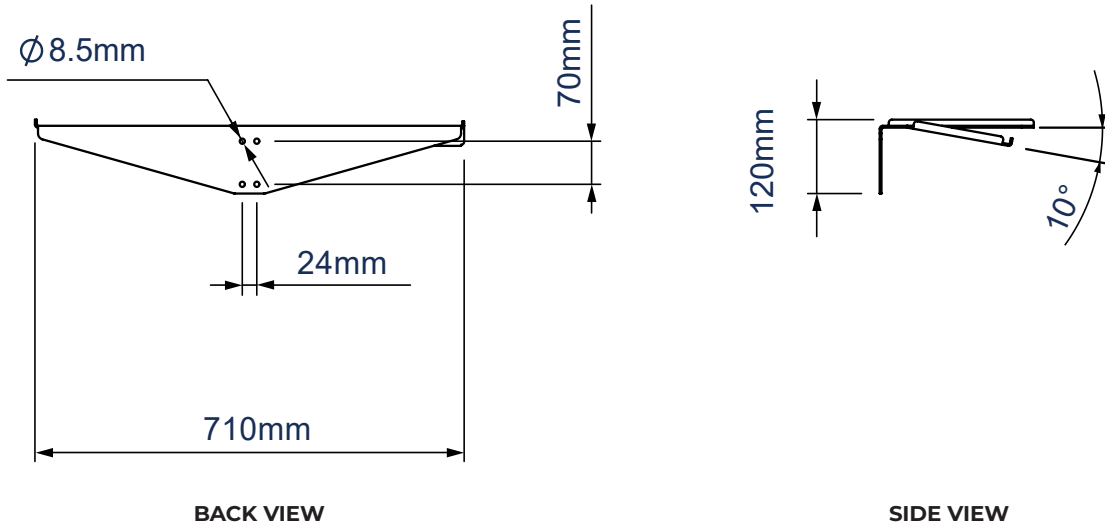


### FEATURES

- 1 Mounts to a single pole using a Ø50 accessory collar (sold separately)
  - 2 10° tilt on keyboard shelf for ease of use
  - 3 Sleek design integrates with B-Tech mounting systems for a stylish installation
  - 4 Also compatible with the System X range
- Can be mounted directly to walls and System X rails/columns, or to B-Tech accessory collars for pole mounting
  - Compatible with BT7052 / BT7841 collars for use with Ø50mm poles
  - Can also be used with BT8390-SA to mount above or below a screen that is mounted on a System X rail
  - Simple installation



# BT7865



### ORDERING INFORMATION

| COLOUR | ORDER REF | EAN           |
|--------|-----------|---------------|
| Black  | BT7865/B  | 5019318089725 |

### RELATED PRODUCTS

| PRODUCT CODE | NAME                     | DESCRIPTION   |
|--------------|--------------------------|---|
| BT7052       | Ø50mm Accessory Collar   | Allows mounts and accessories to be fitted to Ø50mm poles   |
| BT5952       | Ø38mm Accessory Collar   | Allows mounts and accessories to be fitted to Ø38mm poles   |
| BT7033       | Small AV Accessory Shelf | Ideal for use with B-Tech poles                             |
| BT7863       | VC Camera Shelf          | Compatible with BT7052, BT7841 and BT7260 accessory collars |

© 2018 B-Tech AV Mounts Co. Ltd. All rights reserved.  
 The information this specification sheet reflects the current technical specifications at the time of printing.  
 We reserve the right to change the technical or physical specifications without prior notice. The B-Tech name and the B-Tech logo are registered trademarks of B-Tech AV Mounts Co. Ltd.  
 B-Tech is not responsible for loss or damage caused by improper installation or mounting on unsuitable structures. Any reproduction or reuse of information or specification of any part of this  
 specification sheet is strictly prohibited unless prior written permission is granted by B-Tech AV Mounts Co. Ltd. 2018.

SS-V2-BT7865-170924