

BT7866

CAMERA SHELF WITH TILT

The BT7866 is a camera shelf designed to mount a web or conference camera to the top of a flat screen TV. Tool-less tilt adjustment of the mount allows the attached camera to be angled at the ideal position to accommodate all conference participants.

SPECIFICATIONS

Max load	22lbs
Tool-less tilt adjustment	+25°
Shelf dimensions	W : 4.8" x D : 4.2"
Steel thickness	01"
Color	Black

FEATURES

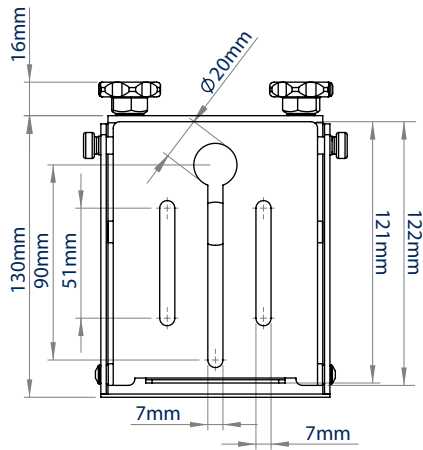
- 1 Can be fitted to poles using B-Tech Accessory Collars
 - 2 Compatible with BT8390-SA to mount above or below screens mounted on System X rails
 - 3 Shelf can be positioned flat or with a downward tilt up to +25°
 - 4 Integrated cable management
- Designed to mount a camera directly to the top of a flat screen TV
 - Use a BT7052 / BT7841 collar with Ø2" poles or a BT5952 collar with a Ø1.5" pole (all sold separately)
 - Includes UNC screw ideal for mounting webcams
 - Compatible with BT8390-SA to mount above or below screens mounted on System X rails
 - Simple installation



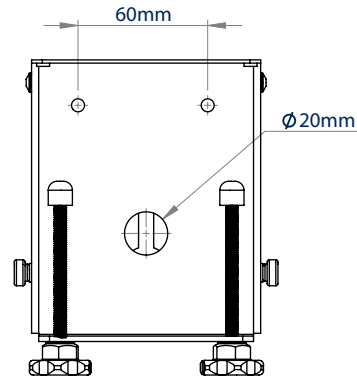
MAX LOAD 22lbs	COLLAR COMPATIBLE 	TILT 25°	COMPATIBLE WITH SYSTEM X 	
-------------------------------------	------------------------------	-------------------------------	-------------------------------------	--



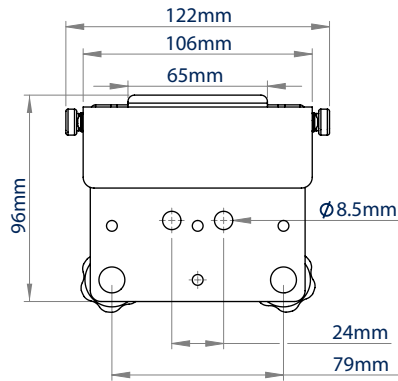
BT7866



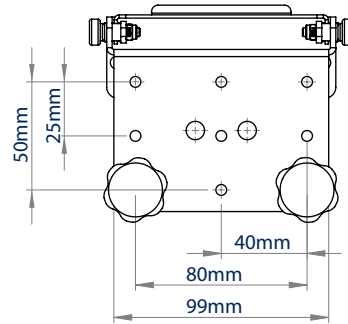
TOP VIEW



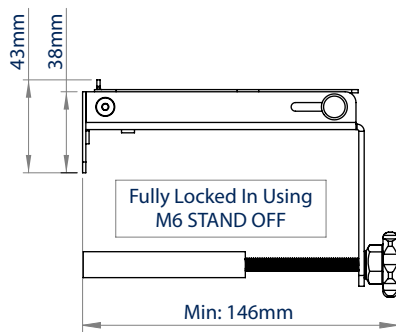
BOTTOM VIEW



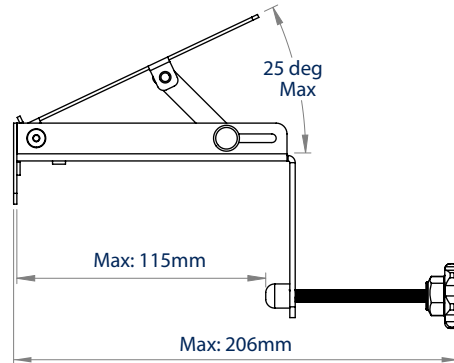
FRONT VIEW



BACK VIEW



SIDE VIEW - FLAT



SIDE VIEW - TILT

ORDERING INFORMATION

COLOR	ORDER REF	BARCODE
Black	BT7866/B	5019318304118

RELATED PRODUCTS

PRODUCT CODE	NAME	DESCRIPTION
BT8390-SA	Adjustable Accessory Mounting Arm	Allows mounted accessories to be positioned above or below the screen(s)
BT7863	Small AV Accessory Shelf	an be mounted directly to; walls and System X rails/columns
BT7052	Ø2" Accessory Collar	Allows a wide range of mounts and accessories to be fitted to Ø2" poles
BT7841	Ø2" 2-Piece Accessory Collar	Allows a wide range of mounts and accessories to be fitted to Ø2" poles

© 2018 B-Tech AV Mounts Co. Limited. All rights reserved. The information in this specification sheet reflects the current technical specifications at the time of printing. We reserve the right to change the technical or physical specifications without prior notice. The B-Tech name and the B-Tech logo are registered trademarks of B-Tech AV Mounts Co. Ltd. B-Tech is a registered trademark of B-Tech AV Mounts Co. Limited. All other trademarks are the property of their respective owners. B-Tech AV Mounts Co. Limited is not responsible for any damage caused by improper installation or mounting on unsuitable structures. Any reproduction or use without permission is prohibited. Specification sheet is strictly confidential and may be used for internal purposes only. B-Tech AV Mounts Co. Ltd. 180618