

BT7877

MOUNTING PLATE FOR BOSE VIDEOBAR VB1 / VB-S, NEAT.BAR / NEAT.BAR PRO, YEALINK MSPEAKER II / MEETINGBAR A50 & LOGITECH RALLY PLUS

The **BT7877** is a mounting plate designed for mounting Bose Videobar VB1, / VBS, Neat.Bar / Neat.Bar Pro, Yealink MSpeaker II / Yealink MeetinBar A50 or Logitech Rally Plus Speakers to a variety of B-Tech products. Using an accessory mounting arm, the plate can be positioned above or below a screen mounted on a B-Tech flat screen wall mount or to a System X Rail. The BT7877 is also compatible with B-Tech accessory collars for pole mounting, or alternatively can be fitted directly to a B-Tech column.



SPECIFICATIONS

Max load	10kg
Dimensions	W: 250mm x H: 40mm
Steel thickness	5mm
Colour	Black

FEATURES

- 1 Designed to mount a variety of video bars onto B-Tech stands and trolleys
- 2 Mounts directly to a BT8380 / BT8381 Column
- 3 Can mount Logitech Rally Plus dual speakers using 2x BT7877
- 4 Compatible with BT7052 / BT7841 Collars for use with Ø50mm Poles
 - Can use BT8390-SA to mount above or below any screen on a System X Rail
 - Uses BT7034 for mounting above / below B-Tech Media Storage Mounts
 - Use with BT7031 to mount above / below B-Tech Flat Screen Wall Mounts
 - Simple installation
 - All mounting hardware included

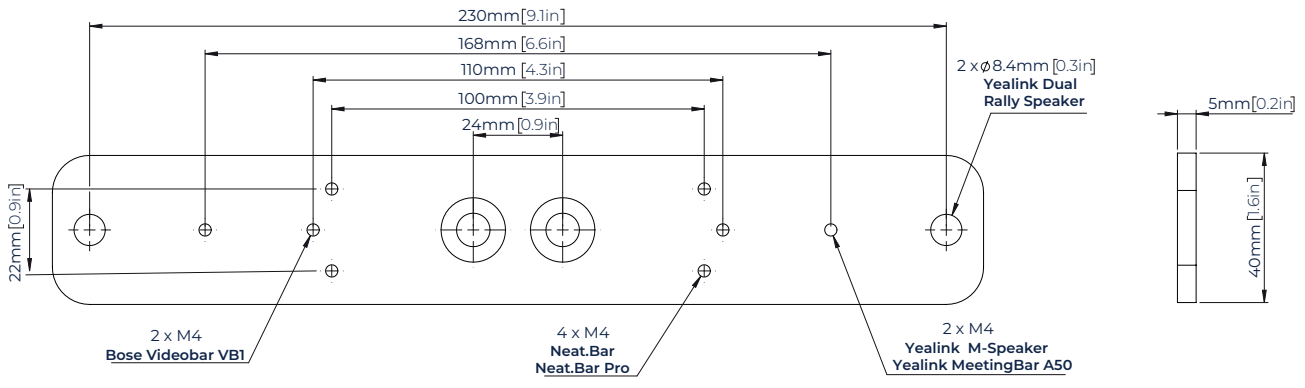
Suitable for a variety of major brands, including:



MAX LOAD 10kg	COLOUR 	COLLAR COMPATIBLE 	
-----------------------------	------------	-----------------------	--

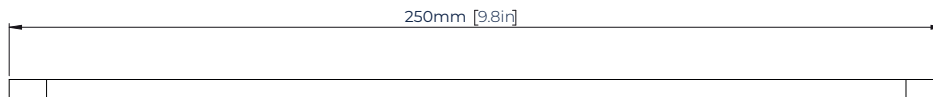


BT7877



FRONT VIEW

SIDE VIEW



TOP VIEW

ORDERING INFORMATION

COLOUR	ORDER REF	EAN
Black	BT7877/B	5019318307263

RELATED PRODUCTS

PRODUCT CODE	NAME	DESCRIPTION
BT7031	Accessory Mounting Arm	Allows mounted accessories to be positioned above or below a B-Tech wall mount
BT8390-SA	Accessory Mounting Arm	Allows mounted accessories to be positioned above or below a System X rail
BT8380/81/85	B-Tech Columns	For a fixed, freestanding or mobile applications
BT7875	Video Bar Mounting Plate	For Yealink UVC40 / A20 / MeetingEye 400, Logitech Meet Up & Poly Studio X30 & more

© 2022 B-Tech AV Mounts Corporation Ltd. All rights reserved.
 The information in this specification sheet reflects the current technical specifications at the time of printing.
 We reserve the right to change the technical or physical specifications without prior notice. The B-Tech name and the B-Tech logo are registered trademarks of B-Tech AV Mounts Corporation Ltd.
 B-Tech is a registered trademark of B-Tech AV Mounts Corporation Ltd. All other trademarks are the property of their respective owners.
 B-Tech is not responsible for any loss or damage caused by improper installation or mounting on unstable structures. Any reproduction or use, in whole or in part, without permission is prohibited.
 Specification sheet is ready for production unless otherwise stated.

SS-V1-1-BT7877-091025