

BT7880

WALL MOUNT FOR APPLE TV® (4TH GEN)

Designed specifically for wall mounting 4th Generation Apple TV® media players, the BT7880 features an open framework design which provides sufficient airflow to the device while keeping it secure; preventing unauthorised removal through the use of locking bars and "Pin Torx" security screws. The BT7880 features a large tilt and swivel range and can also be mounted onto poles and System X extrusions for more mounting flexibility. The mount is quick and easy to install and all mounting hardware is included.



SPECIFICATIONS

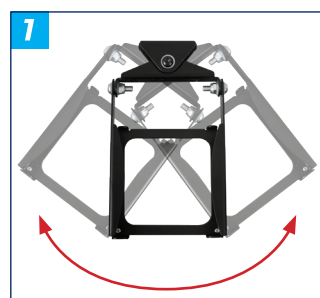
Dimensions	W : 100mm H : 40mm D : 178mm
Tilt	+/-90°
Swivel	75°
Colour	Black

FEATURES

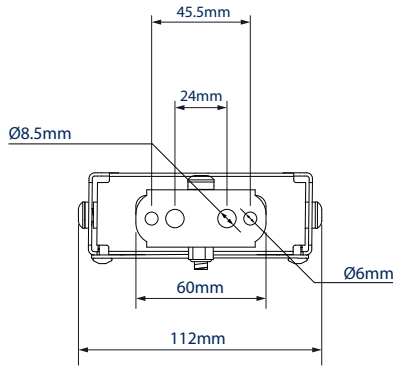
- 1 Features +/-90° tilt and 75° swivel
- 2 Can be used to mount the device to walls, poles or System X™ extrusions
- 3 Locking bar and "Pin Torx" security screws keep the Apple TV secure
- 4 Open framework design provides a greater airflow, keeping the device cool
- Specifically designed to mount 4th Generation Apple TV's



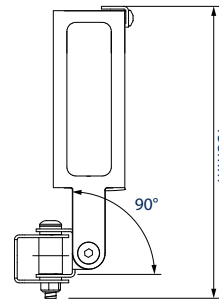
MAX LOAD 	COLLAR COMPATIBLE 	TILT 	SWIVEL 	COMPATIBLE WITH SYSTEM X 	
---------------------	------------------------------	-----------------	-------------------	-------------------------------------	--



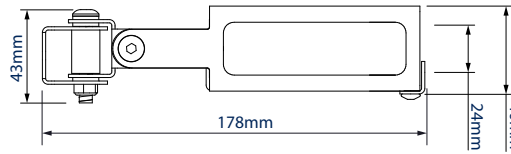
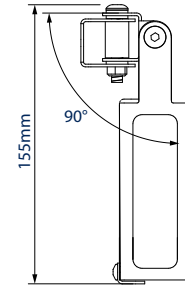
BT7880



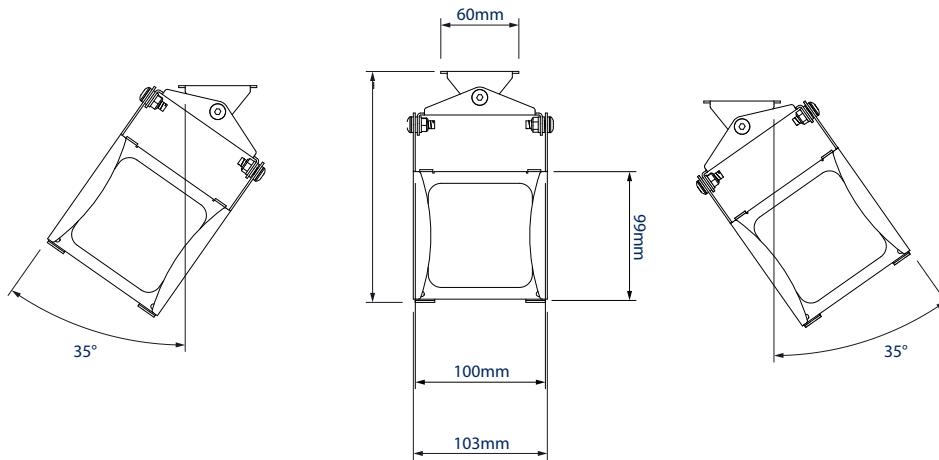
FRONT VIEW



SIDE VIEW TILT



SIDE VIEW



TOP VIEW WITH SWIVEL

ORDERING INFORMATION

COLOUR	ORDER REF	EAN
Black	BT7880/B	5019318759703

RELATED PRODUCTS

PRODUCT CODE	NAME	DESCRIPTION
BT7860	Wall mount for Apple TV®	Designed for 2nd and 3rd Generation Apple TV's
BT7850	Ø50mm Pole	For mounting to the wall, ceiling or floor
BT7841	Ø50mm 2-Piece Accessory Collar	Allows a wide range of mounts and accessories to be fitted to Ø50mm poles
BT8390	Horizontal Mounting Rail	For creating System X™ installations

© 2018 B-Tech AV Mounts Co. Ltd. All rights reserved.
 The information this specification sheet reflects the current technical specifications at the time of printing.
 We reserve the right to change the technical or physical specifications without prior notice. The B-Tech name and the B-Tech logo are registered trademarks of B-Tech AV Mounts Co. Ltd.
 B-Tech is not responsible for any loss or damage caused by improper installation or mounting on unsuitable structures. Any reproduction or use without permission or registration of any part of this specification sheet is strictly prohibited unless prior written permission is granted by B-Tech AV Mounts Co. Ltd. 2018.

SS-V2-BT7880-190924