

DOUBLE ARM FLAT SCREEN WALL MOUNT WITH ULTRAGLIDE TILT & SWIVEL

Designed for medium to large screens, this universal double arm wall mount combines strength and versatility with effortless usability. B-Tech's **UltraGlide Tilt** technology allows users to reposition displays up to 77lbs with a simple touch, securely holding the tilt in place. Featuring three swivel points at the wall, arm and interface, the mount enables quick and smooth screen adjustments, whether folded flat against the wall or fully extended. Compatible with 16-inch stud walls, brick, and concrete surfaces, this mount is engineered for both commercial and home installations.



SPECIFICATIONS

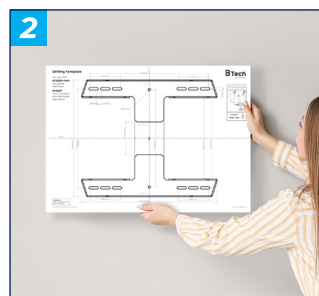
Recommended screen size	up to 65"
Max load	77lbs
Universal fixings	up to 600 x 400
Tilt	+14° / -3°
Screen leveling	+ / -3°
Swivel	180° at wall & interface, 360° at central pivot
Lateral shift	+ / -0.79"
Distance from wall	Min: 2.56" Max: 23.27"

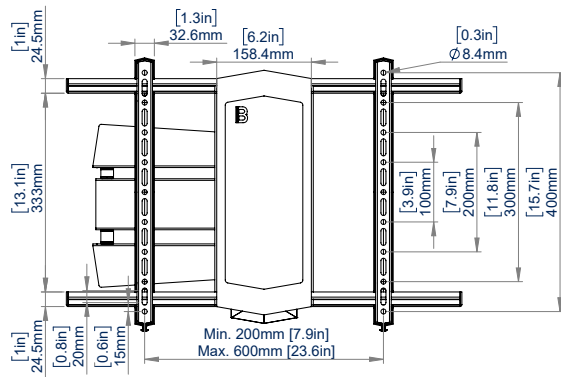
FEATURES

- 1** B-Tech's **UltraGlide Tilt** technology allows easy, secure screen adjustment
- 2** Printed template for wall drilling makes installation quick and easy
- 3** Swivel points enable quick, smooth screen positioning
- 4** Ideal for mounting across 16-inch stud walls
 - Integrated cable management throughout the mount
 - Suitable for both landscape and portrait mounting
 - Tilt can also be fixed at selected angles of -2°, 0°, and 15°
 - Slimline design allows close-to-wall installation when folded flat
 - Lateral shift of screen after mounting
 - Safety screws to prevent unauthorized screen removal
 - Toolless screen leveling
 - Cover plates included for an attractive finish
 - Simple 'hook-on' installation with all mounting hardware included
- **100% plastic-free packaging**

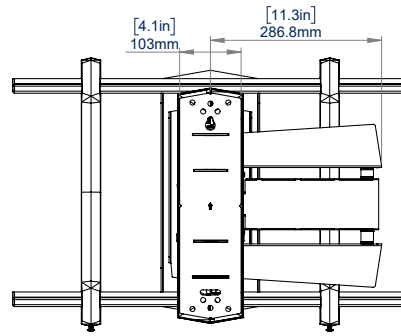


RECOMMENDED MAX SCREEN	MAX LOAD	MAX VESA	TILT	SWIVEL	POST INSTALL ALIGNMENT	COLLAR COMPATIBLE	PLASTIC FREE PACKAGING
65" 165cm	77lbs	600 x 400	2° 14°	180°			





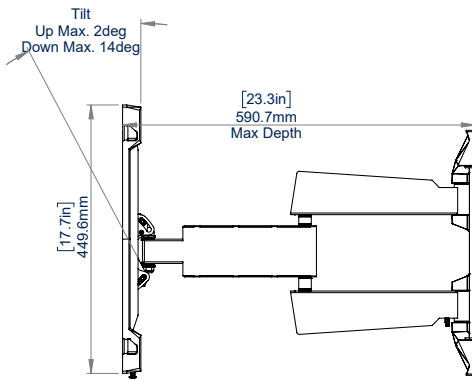
FRONT VIEW



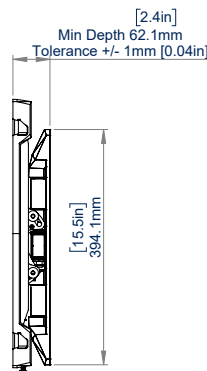
REAR VIEW



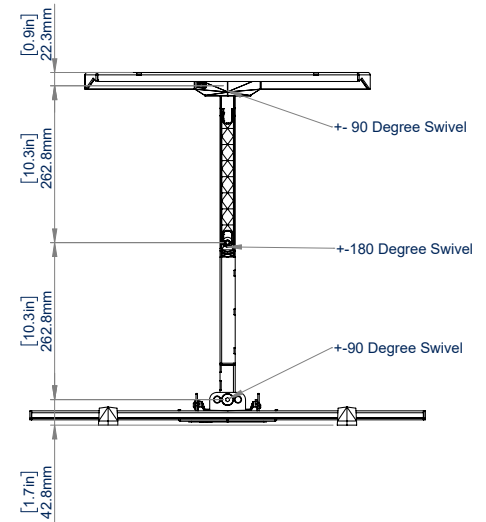
TOP VIEW
CLOSE TO THE WALL



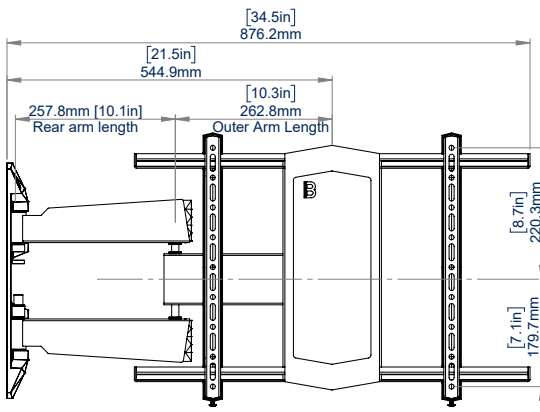
SIDE VIEW
MAX EXTENSION



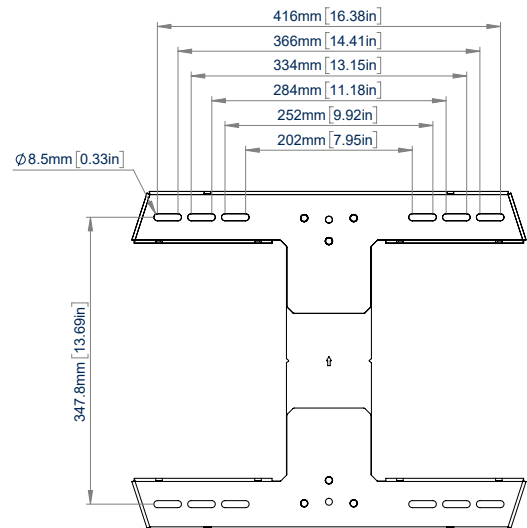
SIDE VIEW
CLOSE TO THE WALL



TOP VIEW
MAX EXTENSION



SIDE VIEW
FRONT OF MOUNT



WALL PLATE

ORDERING INFORMATION

COLOR	ORDER REF	UPC
Black	BT8229/B	811867036084

RELATED PRODUCTS

PRODUCT CODE	NAME	DESCRIPTION
BTV513	Double Arm Wall Mount	Features easy tilt and swivel, ideal for screens up to 55"
BT8226	Vantage Double Arm Wall Mount	Features easy tilt and swivel, ideal for screens up to 65"
BT8227	Vantage Twin Cantilever Wall Mount	Features easy tilt and swivel, ideal for screens up to 75"
BT8228	Vantage Heavy-Duty Twin Cantilever Wall Mount	Features easy tilt and swivel, ideal for screens up to 65"

© 2016 B-Tech, AV Mounts, Co., Ltd. All rights reserved. The information in this specification sheet reflects the current technical specifications at the time of printing. We reserve the right to change the technical or physical specifications without prior notice. This B-Tech name and the B-Tech logo are registered trademarks of B-Tech, AV Mounts, Co., Ltd. B-Tech is not responsible for loss or damage caused by improper installation or mounting on unstable structures. Any reproduction or use without our permission is prohibited. Specification sheet is only provided for reference. All other product information is provided by B-Tech, AV Mounts, Co., Ltd. SS-BT8229-181224-NA