



IDEAL FOR
 RECESS
 MOUNTING

BT8308

POP-OUT FLAT SCREEN WALL MOUNT

The BT8308 is designed for the installation of small to medium flat screens into recessed walls. The pop-out mechanism allows for a neat and tidy, flush to the wall installation, while still allowing access to the rear of the screen for easy installation and service access. BT8308 also allows screens to be mounted in landscape or portrait orientation and is also compatible with B-Tech's professional pole and collar system for pole mounted installs if required.

SPECIFICATION

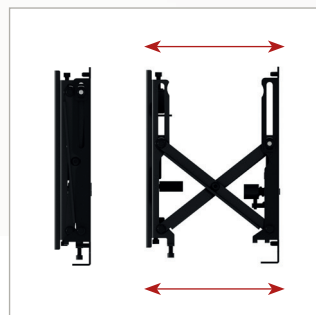
| | |
|--------------------------|-------------------------|
| Recommended screen size | up to 42" |
| Max load | 55lbs (25kg) |
| VESA® compatibility | 75 x 75 up to 200 x 200 |
| Flat to wall depth | 2.28" |
| Popped out depth | 6.89" |
| Screen height adjustment | +0.47" |
| Color | Black |

FEATURES

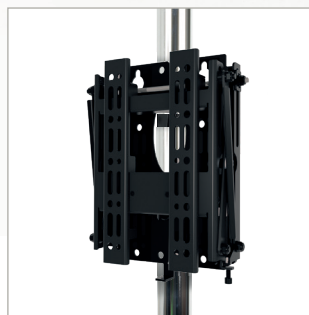
- Perfect solution for mounting screens into a recessed wall
- Push to open / push to close system provides quick and easy service access
- Suitable for landscape or portrait screen mounting
- Suitable for both wall or pole mounting
- Keyhole mounting for quick and easy installation
- Leveling screws allow adjustment of screen height
- Integrated locking mechanism prevents accidental pop-out of mount
- Integrated cable management
- 'Hook-on' installation with all mounting hardware included



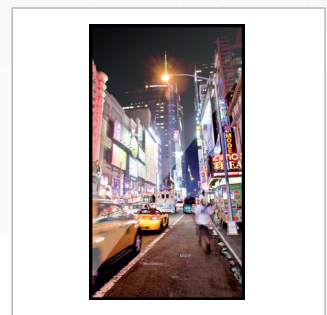
Perfect solution for mounting screens into a recessed wall



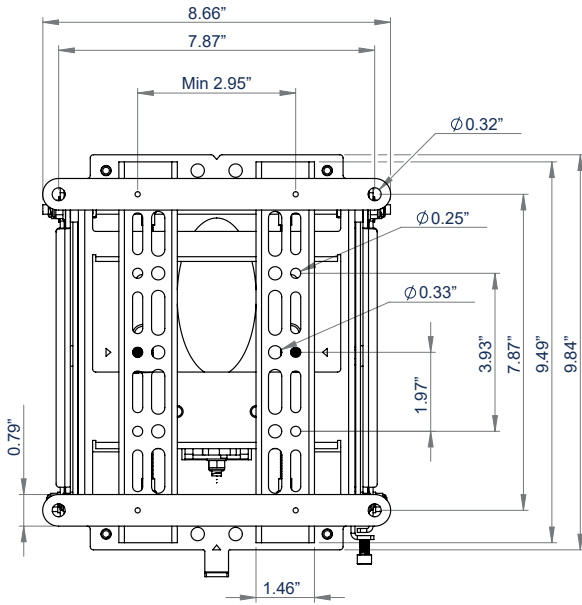
Push to open / push to close system provides quick and easy service access



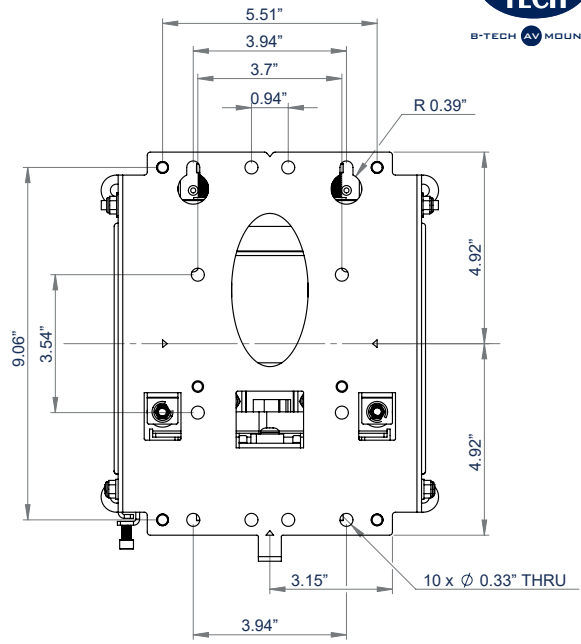
Compatible with B-Tech's professional pole and collar system for pole mounting



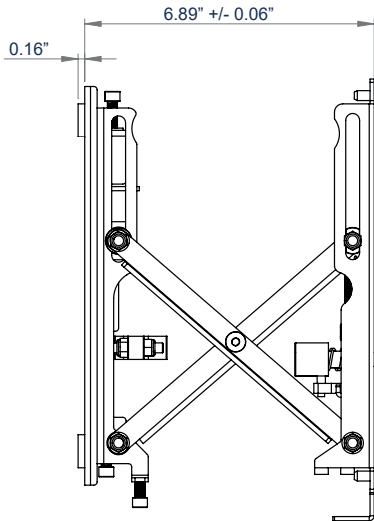
Also suitable for portrait screen mounting



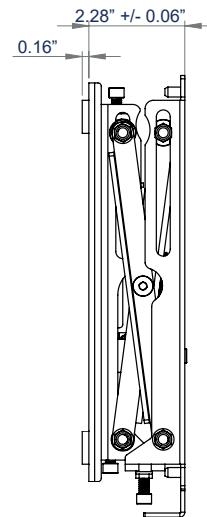
FRONT VIEW



REAR VIEW



SIDE VIEW EXTENDED

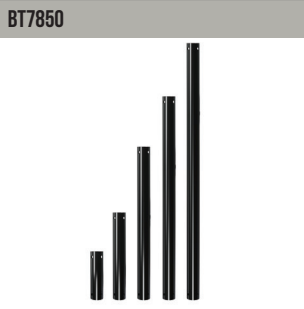


SIDE VIEW CLOSED

PACKING INFORMATION

| COLOUR: | ORDER REF: | UPC CODE | MASTER CARTON QTY: | INNER CARTON QTY: | MASTER CARTON WEIGHT: | MASTER CARTON CUBE |
|---------|------------|--------------|--------------------|-------------------|-----------------------|---------------------|
| Black | BT8308/B | 811867032000 | 4 | 0 | 30lbs (3.34kg) | 0.99cuft (0.012cbm) |

ACCESSORIES AND RELATED PRODUCTS



BT7850
Ø2" Poles available in different lengths up to 9.84'



BT7841
Ø2" Accessory Collar for fixing mounts & accessories to Ø2" poles



BT8309
Pop-Out Flat Screen Wall Mount with Micro-Adjustment for screens with VESA fixings from 75 x 75 up to 200 x 200



BT8310
Pop-In, Pop-Out Video Wall Mount for creating video walls or recess mounting larger screens

© 2018 B-Tech Av Mounts, LLC. All rights reserved. The information in this specification sheet reflects the current technical specifications at the time of print. We warrant the mechanical and electrical specifications shown herein. The B-Tech name and logo are trademarks of B-Tech Av Mounts, LLC. All other trademarks are the property of their respective owners. B-Tech Av Mounts, LLC is not responsible for any damage caused by improper installation or modification of this product. Any reproduction or republishing of any part of this specification sheet is strictly prohibited, unless prior written permission has been granted by B-Tech Av Mounts, LLC. SS-V2-BT8308-050520-US