

BT8310

POP-OUT VIDEO WALL MOUNT

Designed to make videowall installations as quick and simple as possible, this modular videowall mount can be used to create unlimited videowall configurations in both landscape and portrait format. The BT8310 features a pop-in, pop-out system which enables quick and easy access to the rear of mounted screens for servicing and maintenance and 8 point micro-adjustment, making accurate screen alignment quick and easy.

SPECIFICATIONS

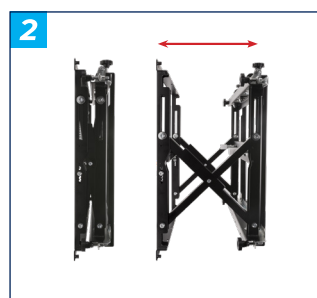
Recommended screen size	42" - 75"
Max load	154lbs
VESA® compatibility as standard	200 x 100 up to 400 x 400
VESA® compatibility with adaptors	up to 600 x 400*
Flat to wall depth	4.2" (+/-0.2" with micro-adjustment)
Popped out depth	11.5" (+/-0.2" with micro-adjustment)
Screen height adjustment	+0.5"

FEATURES

- 1** Modular mount for an unlimited number of videowall configurations
- 2** Push to open/push to close system provides quick and easy service access
- 3** Tool-less micro-adjustments at 8 points for seamless display alignment
- 4** Includes additional Interface Adaptor Arms for VESA 600 x 400 fixings
 - Suitable for landscape or portrait screen mounting
 - Safety screws help prevent unauthorized removal of screens
 - Perfect solution for mounting screens into a recessed wall
 - Integrated cable management
 - Suitable for both wall or pole mounting
 - Screen specific wall plate spacers (available separately)
 - **BT8310-LK** kit prevents unauthorized pop-out (available separately)
 - All mounting hardware included



RECOMMENDED MAX SCREEN	MAX LOAD	MAX VESA	MICRO ADJUSTMENT	POST INSTALL ALIGNMENT	COLLAR COMPATIBLE	QR CODE
75" / 190cm	154lbs	600 x 400				



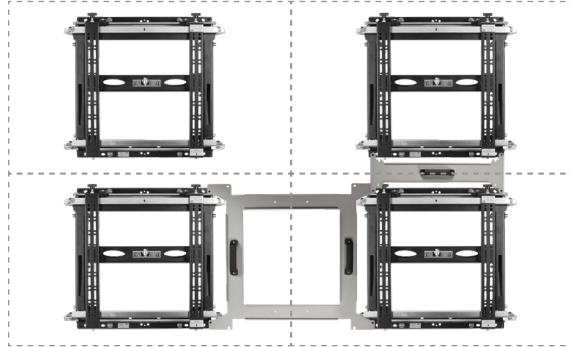
*Please note using the included Interface Adaptor Arms to mount VESA 600 x 400 screens will increase the total depth of the product by 0.2", for a total depth of 4.2", or 11.7" whilst popped out (+/-0.2" micro-adjustment).

BT8310

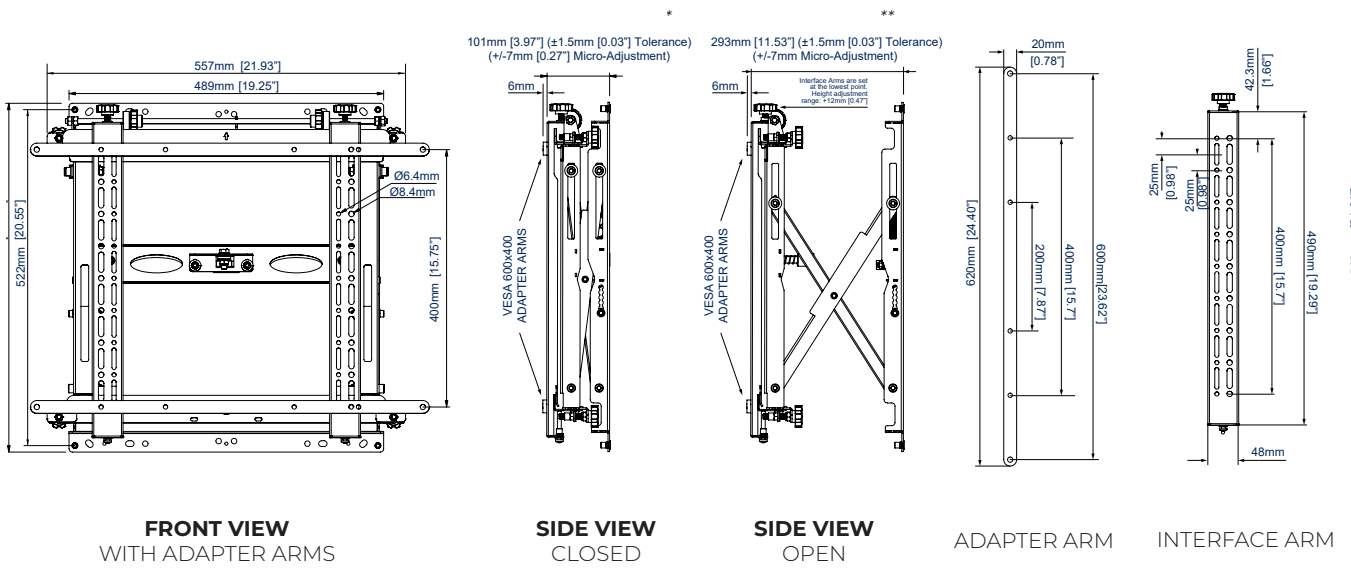
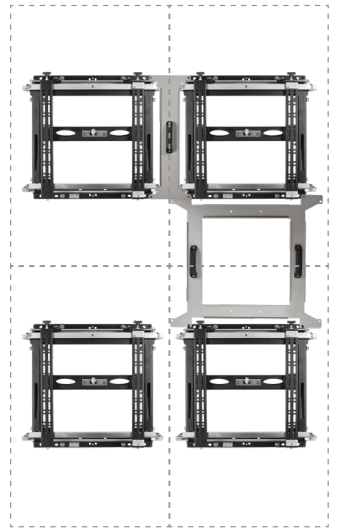
CUSTOM WALL PLATE SPACERS

Wall plate spacers are available for the BT8310 and eliminate tedious alignment calculations, meaning less time is wasted through measuring and 'guesswork'. These spacers are available to order separately and are screen specific for all popular brands such as LG, Samsung, Phillips, Sharp and NEC. To find out which spacer kit is needed for a specific screen please visit www.btechavmounts.com/BT8310 or scan the QR code below.

LANDSCAPE



PORTRAIT



*Total depth increased to 4.2" (+/-0.2" micro-adjustment) when using VESA 600 x 400 adapters
 **Total depth increased to 11.7" (+/-0.2" micro-adjustment) when using VESA 600 x 400 adapters

ORDERING INFORMATION

COLOUR	ORDER REF	UPC
Black	BT8310/B	811867032512

RELATED PRODUCTS

PRODUCT CODE	NAME	DESCRIPTION
BT8310-LK	Locking Kit for BT8310 & BT8310XL	Prevents unauthorised use of pop-out function
BT7565	Interface Adapter Arms	Additional Adapter arms for increased VESA fixings up to 900
BT7841	Ø50mm Poles	Accessory Collars allow the user to attach BT8312 to BT7850 Ø50mm Poles
BT7850	Ø50mm Poles	Available in a variety of lengths to create multiple pole-mounted solutions

© 2018 B-Tech AV Mounts Co. Ltd. All rights reserved.
 The information in this specification sheet reflects the current technical specifications at the time of printing.
 We reserve the right to change the technical or physical specifications without prior notice. The B-Tech name and the B-Tech logo are registered trademarks of B-Tech AV Mounts Co. Ltd.
 B-Tech is not responsible for any damage caused by improper installation or mounting on unstable structures. Any reproduction or reuse of information or specification without the written permission of B-Tech AV Mounts Co. Ltd. is prohibited.