

# BT8310XL

## HEAVY DUTY POP-OUT FLAT SCREEN WALL MOUNT

Designed to mount extra-large screens, the heavy duty BT8310XL is capable of mounting screens up to 276lbs in both landscape and portrait orientations. With reinforced scissor arms, this wall mount is ideal for mounting the largest sized screens and features an easy to use pop-out function and 8-point micro-adjustment, making installation and alignment into a recessed wall both quick and simple. Access to the rear or sides of the screen for maintenance or cabling is possible through the pop-out feature, with an additional locking kit accessory available (separately) to prevent unauthorized access if required.

### SPECIFICATIONS

Recommended screen size	<b>42" - 120"</b>
Max load	<b>110lbs - 276lbs</b>
VESA® compatibility as standard	<b>200 x 100 up to 400 x 400</b>
VESA® compatibility with adaptors	up to <b>600 x 400</b>
Flat to wall depth	<b>3.97"</b> * (+/-0.2" with micro-adjustment)
Popped out depth	<b>11.5"</b> * (+/-0.2" with micro-adjustment)

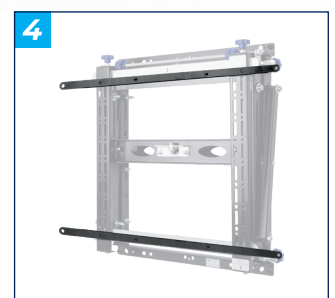
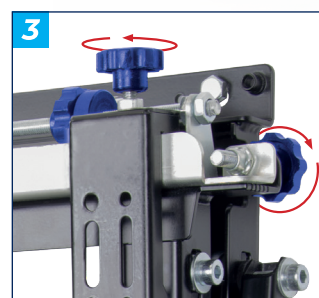
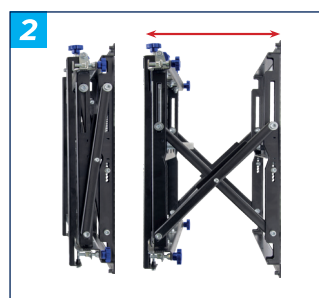


### FEATURES

- Perfect for mounting large heavy duty screens into a recessed wall
- 1** Side arms are reinforced to hold heavy loads up to 276lbs
- 2** Push to open/push to close system provides quick and easy service access
- 3** Tool-less micro-adjustments at 8 points for seamless display alignment
- 4** Includes interface Adapter Arms for VESA 600 x 400 as standard
- Suitable for landscape or portrait screen mounting
- Safety screws help prevent unauthorized removal of screens
- Suitable for both wall or pole mounting
- Integrated cable management
- BT8310-LK kit to prevent accidental pop-out of mount is also available
- All mounting hardware included

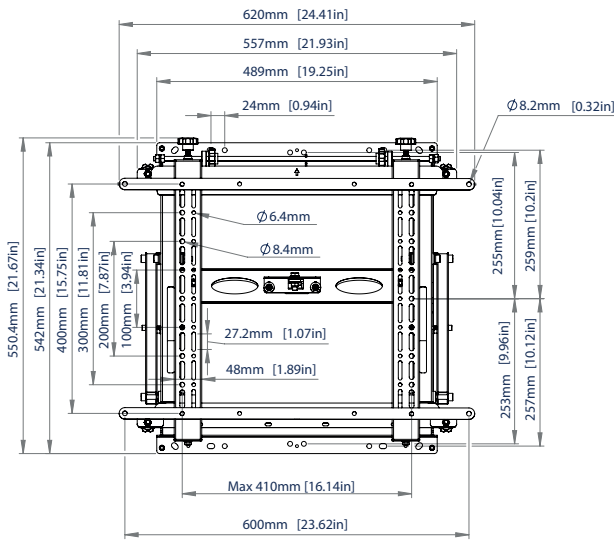


RECOMMENDED MAX SCREEN	MAX LOAD	MAX VESA	MICRO ADJUSTMENT	POST INSTALL ALIGNMENT	COLLAR COMPATIBLE	QR CODE
120" <sup>↑</sup> 305cm <sub>↙</sub>	276lbs	600 x 400				

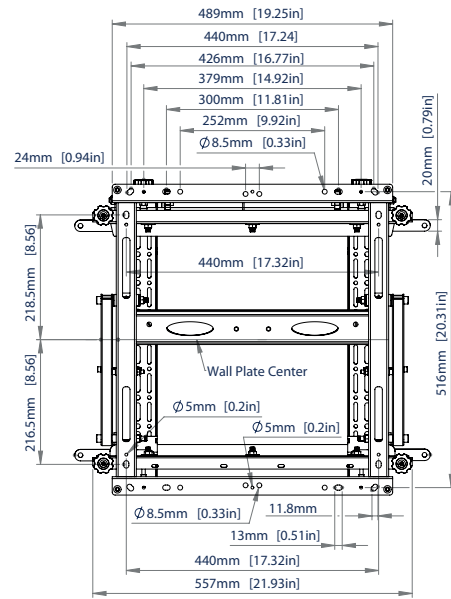


\*Please note using the included Interface Adapter Arms to mount VESA 600 x 400 screens will increase the total depth of the product by 0.2", for a total depth of 4.2", or 11.7" whilst popped out (+/-0.2" micro-adjustment).

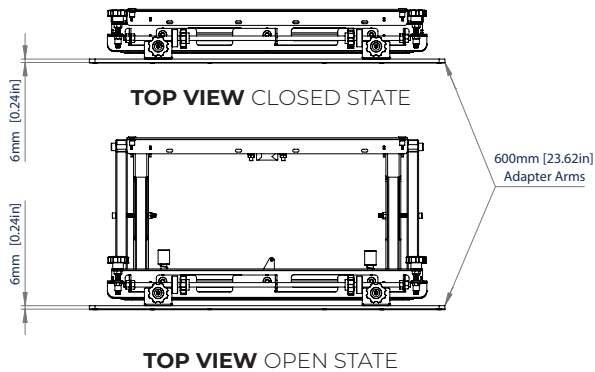
# BT8310XL



**FRONT VIEW**

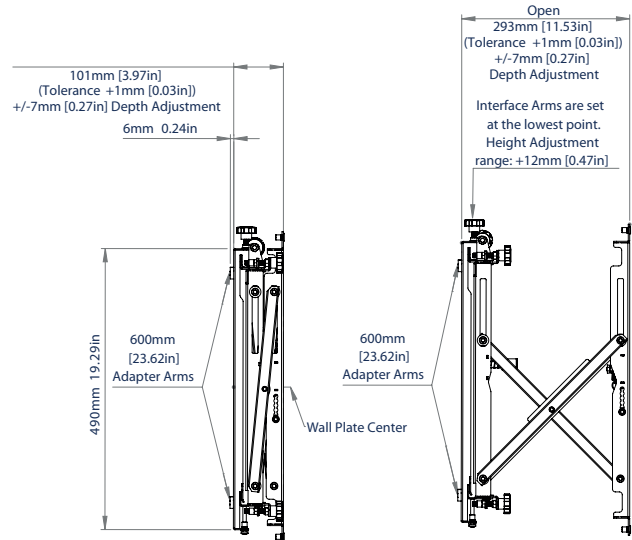


**REAR VIEW**



**TOP VIEW CLOSED STATE**

**TOP VIEW OPEN STATE**



**SIDE VIEW  
CLOSED STATE**

**SIDE VIEW  
OPEN STATE**

\*Total depth increased to 4.2" (+/-0.2" micro-adjustment) when using VESA 600 x 400 adaptors  
 \*\*Total depth increased to 11.7" (+/-0.2" micro-adjustment) when using VESA 600 x 400 adaptors

## ORDERING INFORMATION

COLOR	ORDER REF	UPC
Black	BT8310XL-B	811867032512

## RELATED PRODUCTS

PRODUCT CODE	NAME	DESCRIPTION
BT8310-LK	Locking Kit for BT8310 & BT8310XL	Prevents unauthorized use of pop-out function
BT7565	Interface Adapter Arms	Additional Adapter arms for increased VESA fixings up to 900
BT8312	Pop-Out Videowall Mount	Modular pop-out mounting solution for creating multi-screen videowalls
BT8309	Pop-Out Flat Screen Wall Mount	Pop-out mounting solution for smaller screens up to 42"

© 2016 B-Tech, All Rights Reserved. The information in this specification sheet reflects the current technical specifications at the time of printing. We reserve the right to change the technical or physical specifications without prior notice. The B-Tech name and the B-Tech logo are registered trademarks of B-Tech, All Rights Reserved. B-Tech is not responsible for any damage caused by improper installation or mounting on unstable structures. Any reproduction or use of information or registration of any part of this specification sheet is strictly prohibited unless prior written permission is granted by B-Tech or its authorized representative.

SS-V1.1-BT8310XL-130226-NA