

BT8311

VIDEO WALL MOUNT

Designed to make video wall installations as quick and simple as possible, this modular video wall mount can be used to create unlimited video wall configurations in both landscape and portrait format. The tool-less 8 point micro-adjustment makes accurate screen alignment quick and easy. The BT8311 can also be used in conjunction with the BT8310 pop-in, pop-out video wall mount to allow easier access behind screens for maintenance.

SPECIFICATIONS

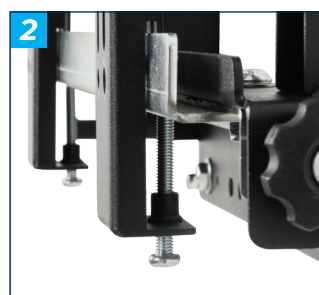
Recommended screen size	42" - 70"
Max load	75kg
VESA® compatibility as standard	200 x 200 up to 400 x 400
VESA® compatibility with adaptors	up to 600 x 400*
Distance from wall	97.5mm (+/- 7.5mm with micro-adjustment)
Screen height adjustment	+15mm

FEATURES

- 1 Can be used in conjunction with the BT8310 pop-in, pop-out wall mount
 - 2 Safety screws prevent unauthorised removal of screens
 - 3 Tool-less micro-adjustment at 8 points for seamless display alignment
 - 4 Optional interface adaptors for VESA 600 x 400 fixings included as standard
- Modular mount for unlimited wall display configurations
 - Suitable for landscape or portrait screen mounting
 - Suitable for both wall or pole mounting
 - Integrated cable management for a neat and tidy installation
 - Screen specific wall plate spacer kits (available separately) dramatically shorten install times by eliminating guesswork and on-site calculations
 - Adaptor arms for VESA 800 x 400 fixings (BT7565) available separately



RECOMMENDED MAX SCREEN	MAX LOAD	MAX VESA	MICRO ADJUSTMENT	POST INSTALL ALIGNMENT	COLLAR COMPATIBLE	
70" 178cm	75kg	600 x 400				



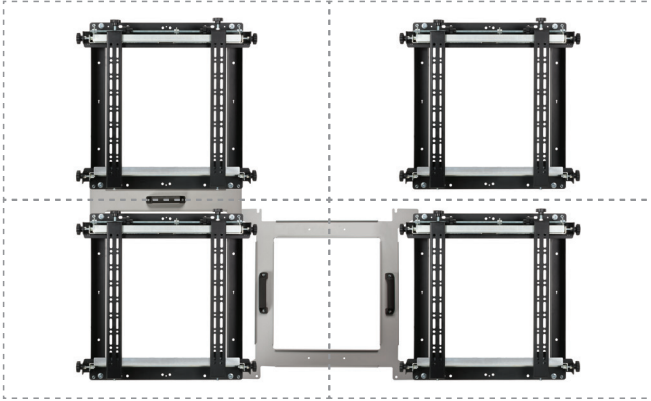
* Please note using the included interface adaptor arms to mount VESA 600 x 400 screens will increase the total depth of the product by 6mm, for a total depth of 103mm

BT8311

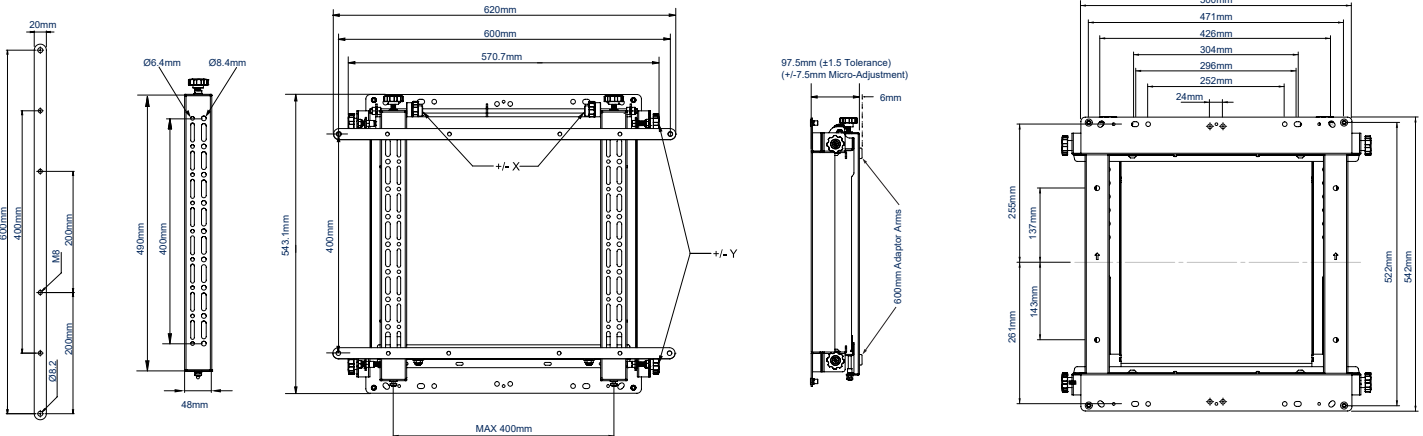
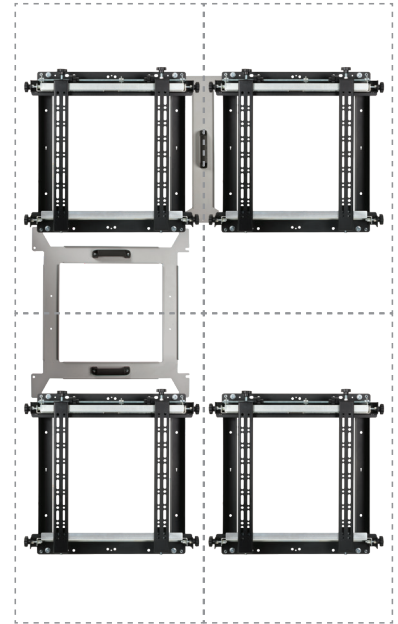
CUSTOM WALL PLATE SPACERS

Wall plate spacers are available for the BT8311 and eliminate tedious alignment calculations, meaning less time is wasted through measuring and 'guesswork'. These spacers are available to order separately and are screen specific for all popular brands such as LG, Samsung, Phillips, Sharp and NEC. To find out which spacer kit is needed for a specific screen please visit www.btechavmounts.com/BT8311 or scan the QR code below.

LANDSCAPE



PORTRAIT



ADAPTER ARM

INTERFACE ARM

FRONT VIEW WITH ADAPTER ARMS

SIDE VIEW

REAR VIEW

*Total depth increased to 103.5 (+/-7.5mm micro-adjustment) when using VESA 600 x 400 adaptors

ORDERING INFORMATION

COLOUR	ORDER REF	EAN
Black	BT8311/B	5019318089701

RELATED PRODUCTS

PRODUCT CODE	NAME	DESCRIPTION
BT8310	Pop-In, Pop-Out Video Wall Mount	Designed for screens up to 75kg per screen
BT7822	Heavy Duty Floor / Ceiling Mount	Used in conjunction with B-Tech poles / collars to create pole mounted solutions
BT7841	Ø50mm Poles	Accessory Collars allow the user to attach BT8312 to BT7850 Ø50mm Poles
BT7850	Ø50mm Poles	Available in a variety of lengths to create multiple pole-mounted solutions

© 2018 B-Tech AV Mounts Co. Ltd. All rights reserved. The information in this specification sheet reflects the current technical specifications at the time of printing. We reserve the right to change the technical or physical specifications without prior notice. The B-Tech name and the B-Tech logo are registered trademarks of B-Tech AV Mounts Co. Ltd. B-Tech is not responsible for any damage or loss of data caused by improper installation or mounting on unstable structures. Any reproduction or reuse of information or specification sheets is strictly prohibited unless prior written permission is granted by B-Tech AV Mounts Co. Ltd. 0061.

SS-V2-BT8311-1-Z0924