

# BT8321

## SYSTEM X™ PORTRAIT SIGNAGE MOUNT

Designed to mount screens in a portrait orientation, the BT8321 is part of the dynamic System X Range and therefore features a contemporary, lightweight yet incredibly strong design with a high-end aesthetic quality, mounting the screen close to the wall whilst leaving enough space for easy access to screen inputs and cabling. Also suitable for mounting screens in landscape style, height adjustment screws allow mounted screens to be levelled perfectly after installation and safety screws feature as standard to help prevent unauthorized screen removal.


### SPECIFICATIONS

Recommended screen size	up to <b>65"</b>
Max load	<b>154lbs</b>
VESA® compatibility	<b>600 x 400</b>
Distance from wall	<b>2"</b> *
Color (horizontal rail)	<b>Black</b>
Color (VESA arms)	<b>Black</b>

### FEATURES

- 1 Close to the wall installation whilst leaving enough space for easy access to screen inputs and cabling
  - 2 Arms feature levelling screws to adjust the screen height
  - 3 High-end aesthetic quality for a neat and tidy install
  - 4 Pole mounted options are also available using System 2 poles, collars and ceiling mounts
- Can also be used for landscape installations
  - Includes interface adaptor arms as standard for VESA fixings up to 600 x 400
  - Safety screws help prevent unauthorized removal of screens
  - Suitable for portrait mounting LG's 88BH7D 88" Ultra-Stretch Digital Signage

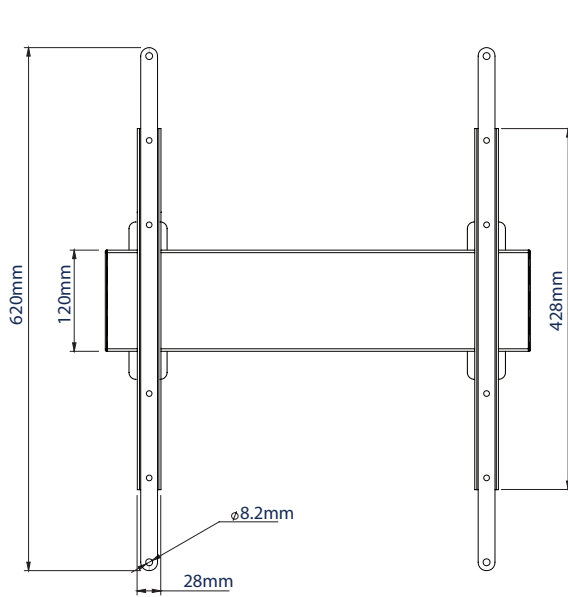


RECOMMENDED MAX SCREEN	MAX LOAD	MAX VESA	POST INSTALL ALIGNMENT	QR CODE
65" 165cm	154lbs	600 x 400	← →	

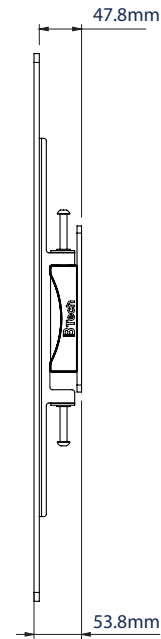


\*Please note the total dimension includes the interface adaptor arms. If only using up to VESA 400 x 400 the depth can be reduced by 0.2" by removing the adapter arms.

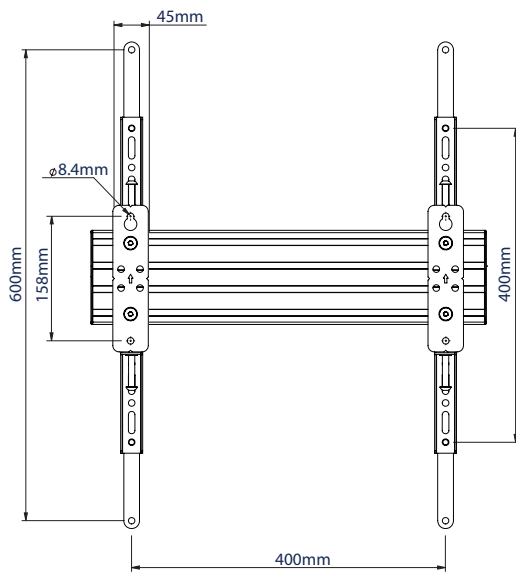
# BT8321



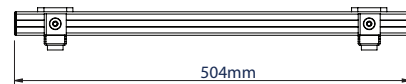
**FRONT VIEW**



**SIDE VIEW**



**REAR VIEW**



**TOP VIEW**

## ORDERING INFORMATION

COLOR	ORDER REF	BARCODE
Black Arms w/ Black Rail	BT8321/B	5019318501890

## RELATED PRODUCTS

PRODUCT CODE	NAME	DESCRIPTION
BT7822	Heavy Duty Ceiling Mount	Can be used with System 2 poles and collars to create ceiling mounted solutions
BT7850	Ø2" Poles	Available in a variety of lengths to create multiple pole-mounted solutions
BT7841	Heavy Duty Accessory Collar	Accessory Collars allow the user to attach BT8312 to BT7850 Ø2" Poles
BT8390-CFK	Collar Fixing Kit	Allows BT8321 and other System X mounts to be pole mounted

© 2025 B-Tech AV Mounts, Co., Ltd. All rights reserved.  
 The information in this document is subject to change without notice. The B-Tech name and the B-Tech logo are registered trademarks of B-Tech AV Mounts, Co., Ltd.  
 B-Tech is not responsible for any damage or loss of data caused by improper installation or mounting on unstable structures. Any reproduction or reuse of this document without the written permission of B-Tech AV Mounts, Co., Ltd. is prohibited.

SS-V2-BT8321-080725