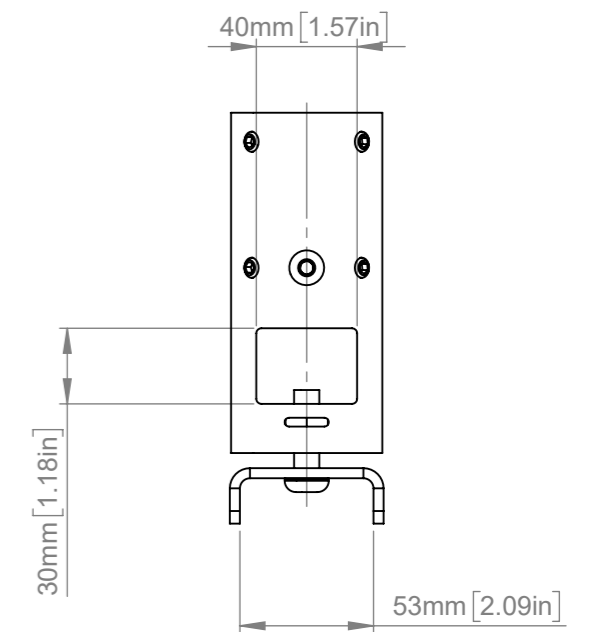
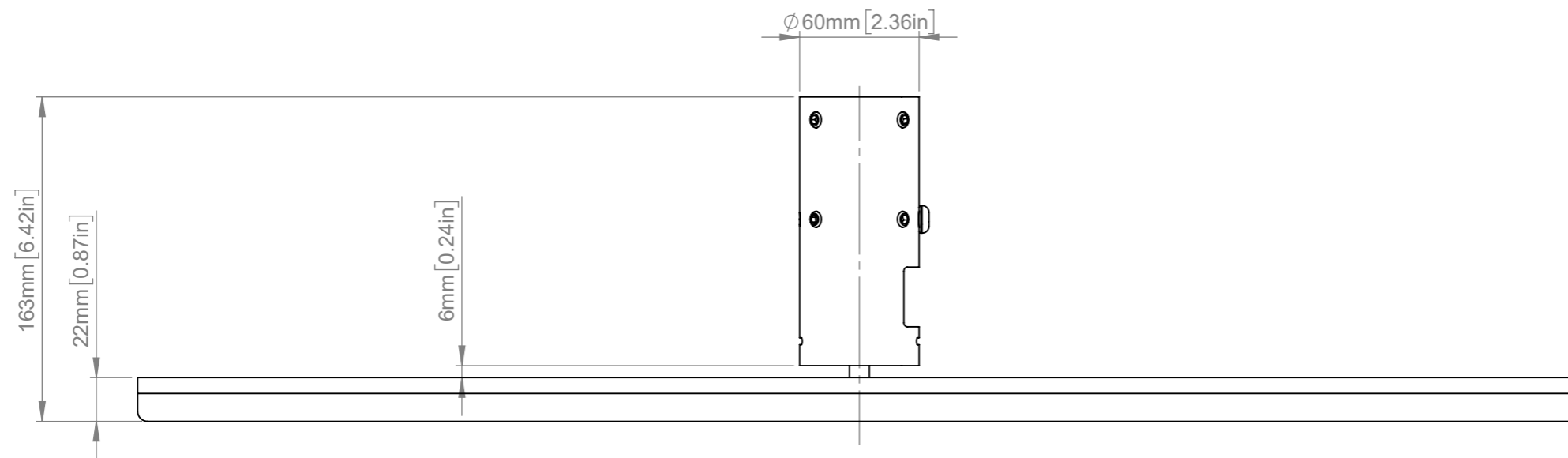


ISOMETRIC VIEW  
SCALE: 1 : 5



**B-Tech International Design & Manufacturing Limited**  
Part of the B-Tech International Group

**B-Tech No:** BT8327

**Title:** System 2 Adapter for BT8325



UNLESS OTHERWISE SPECIFIED DIMENSIONS ARE IN MILLIMETERS

**Size:** A3

**Scale:** 1:3

**Sheet:** 1 of 1

**Revision:** R00

**Date:** 26/05/2023

**File Name:** BTD-BT8327