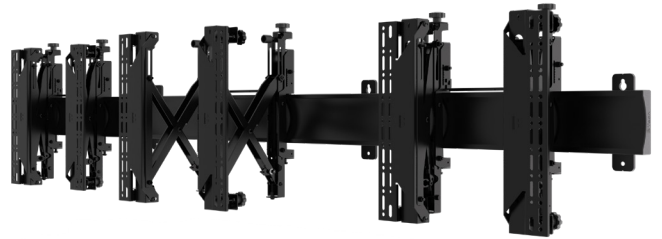


# BT8331

## SYSTEM X™ POP-OUT MENU BOARD MOUNTING SYSTEM

The BT8331 is a modular wall mounting system for menu board installations of any size and features pop-in, pop-out interface arms designed to aid installation and allow access to the rear of the screens for servicing and maintenance. As part of the System X range, the BT8331 features a contemporary, lightweight, yet robust design with high-end aesthetic quality and micro-adjustment for seamless screen alignment.



### SPECIFICATIONS

Recommended screen size	<b>39"</b> up to <b>75"</b>
Max load	<b>50kg</b> per screen
VESA® & non-VESA fixings	up to <b>900mm*</b>
Distance from wall (closed)	<b>105mm</b> (+/-10mm)
Distance from wall (open)	<b>274mm</b> (+/-10mm)
Colour (horizontal rail)	<b>Black</b>
Colour (interface arms)	<b>Black</b>

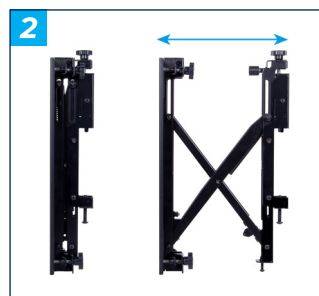
### FEATURES

- Universal design suitable for all sized screens up to 50kg (per screen)
- 1 Tool-less micro-adjustments for seamless display alignment
- 2 Features pop-in, pop-out function to allow access to the rear of screens
- 3 Multiple rail lengths available (rails can also be joined together)
- 4 Safety screws help prevent unauthorised removal of screens
- Ideal for recess mounting menu boards
- Suitable for landscape or portrait mounting
- High-end aesthetic quality
- Arms include locking screw to prevent accidental pop-out of screens
- TÜV certified



## SYSTEM X

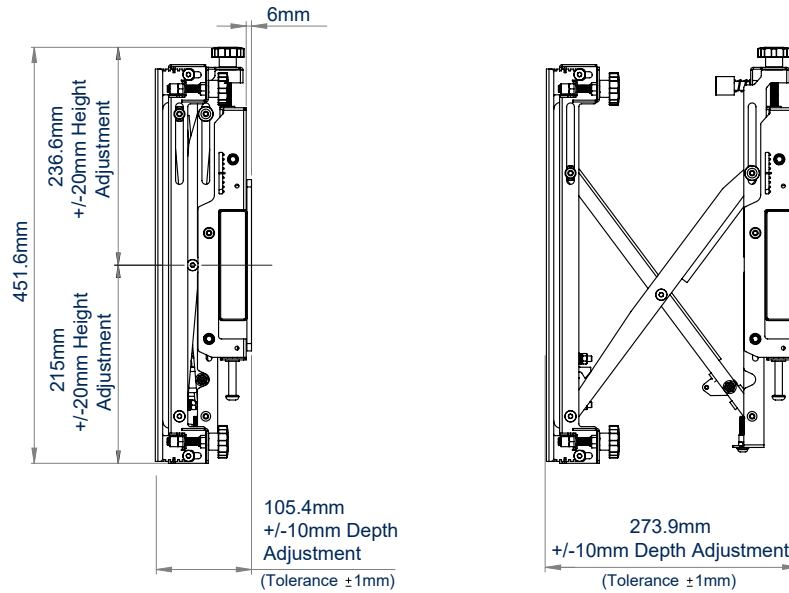
RECOMMENDED MAX SCREEN	MAX LOAD	MAX VESA	MICRO ADJUSTMENT	POST INSTALL ALIGNMENT	CONFIGURE AS REQUIRED	TÜV CERTIFIED	COMPATIBLE WITH SYSTEM X	
75" 190cm	50kg per screen	900						



\*Refers to maximum vertical fixing dimension. Correctly sized interface arms and adaptors will be supplied as necessary to suit the mounting pattern you require.

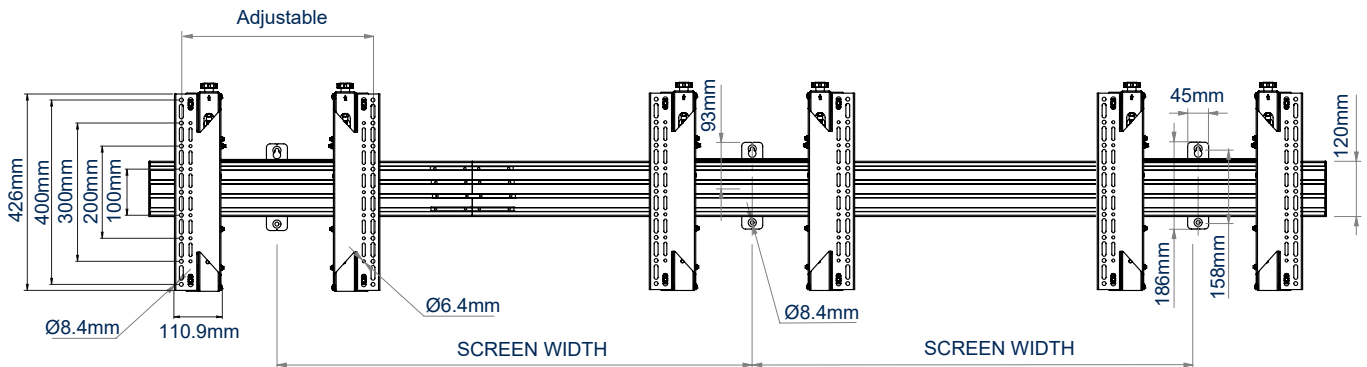
# BT8331

**BT8331** configurations are made to your exact requirements and, as a result, utilise a varying combination of System X components in order to create the perfect solution. Below are technical drawings for the standard components used in every BT8331 configuration: **BT8390-VESA400MAP** Pop-Out Interface Arms, **BT8390-WFK1** Wall Fixing Kit and **BT8390** Mounting Rails (available in different lengths). Please visit our System X online configuration tool at [www.btechavmounts.com/systemx-configurator](http://www.btechavmounts.com/systemx-configurator) to specify your requirements. All dimensions will be automatically calculated and a complete mounting solution with all required parts will be created for you.



**SIDE VIEW**  
CLOSED

**SIDE VIEW**  
OPEN



**FRONT VIEW**

## ORDERING INFORMATION

COLOUR	ORDER REF	EAN
Black	BT8331/B	5019318307089

## RELATED PRODUCTS

PRODUCT CODE	NAME	DESCRIPTION
BT8330	Menu Board System	For wall mounted menu board configurations
BT8332	Ceiling Mounted Menu Board System	For menu board configurations
BT8333	Curved Ceiling Mounted Menu Board System	For portrait or landscape mounting
BT8341	Pop-Out Videowall System	For videowall configurations

© 2016 B-Tech AV Mounts, Ltd. All rights reserved.  
The information in this specification sheet reflects the current technical specifications at the time of printing.  
We reserve the right to change the technical or physical specifications without prior notice. These changes and the B-Tech logo are registered trademarks of B-Tech AV Mounts, Ltd.  
B-Tech AV Mounts, Ltd. is not responsible for any damage caused by improper installation or mounting on unstable structures. Any reproduction or use of information or other content of any part of this specification sheet is strictly prohibited unless prior written permission is granted by B-Tech AV Mounts, Ltd. 10061E

SS-BT8331-0601.24