

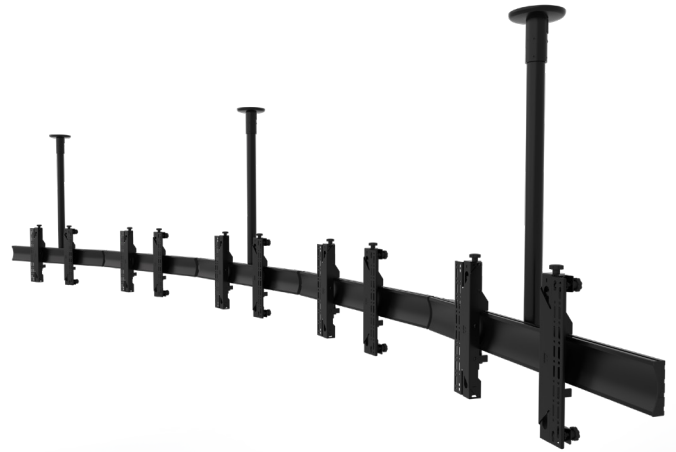
BT8333

CURVED CEILING MOUNTED MENU BOARD MOUNTING SYSTEM

Designed to mount menu boards in curved configurations, the BT8333 is a ceiling mounted system with a universal design suitable for all screens from 32" to 75". As part of B-Tech's dynamic System X range, this contemporary mounting solution is lightweight yet incredibly strong, has a high-end aesthetic quality and comes with integrated angle guides, cable management and a choice of interface arms.

SPECIFICATIONS

Recommended screen size	from 32" up to 75"
Max load	50kg per screen
Angle adjustment range	up to +/-45° (between screens)
VESA® & non-VESA fixings	up to 900mm*
Pole length	0.5m up to 3m (can be cut to length)
Colour	Black



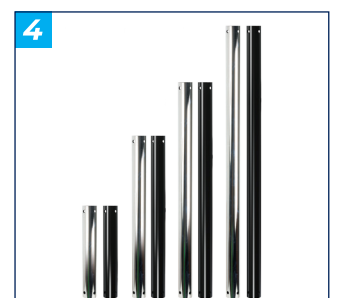
FEATURES

- 1 Angle up to +/-45° to create a concave or convex curved menu board
 - 2 Choose from fixed or micro-adjustment interface arms
 - 3 Integrated cable management to hide unsightly cables
 - 4 Ø50mm poles are available in lengths ranging from 0.5m - 3m
- Configurable mounting solution available to order to your requirements
 - Suitable for landscape or portrait mounting
 - Easy to use adjustable adaptor creates an angled joint between screens
 - Integrated angle guides eliminate the need to measure required angles
 - Integrated rail mounting guides ensure the join position is consistent throughout the installation without the need to measure
 - Tool-less micro-adjustments for seamless display alignment
 - All arms feature levelling screws to adjust the screen height
 - Safety screws prevent unauthorised screen removal
 - Simple installation with all mounting hardware included



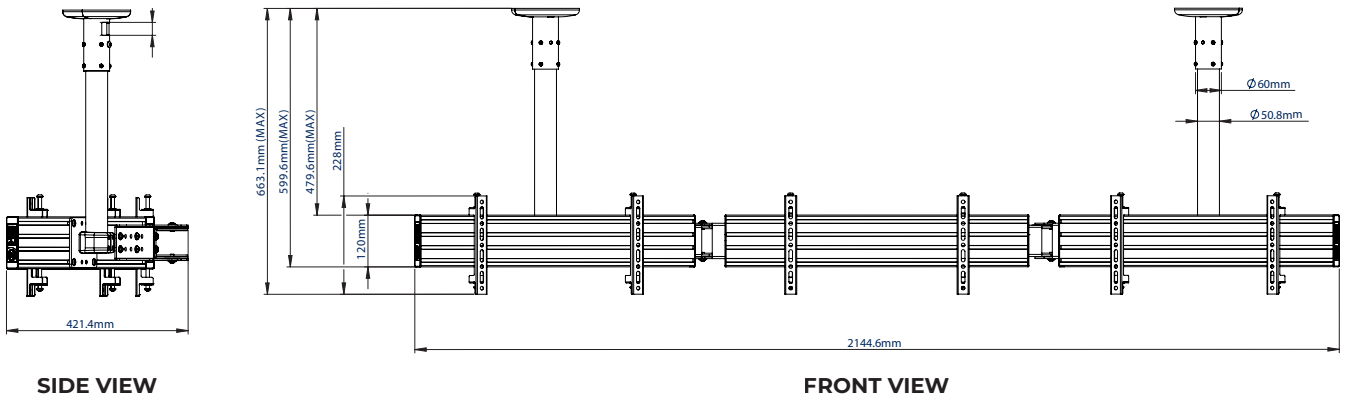
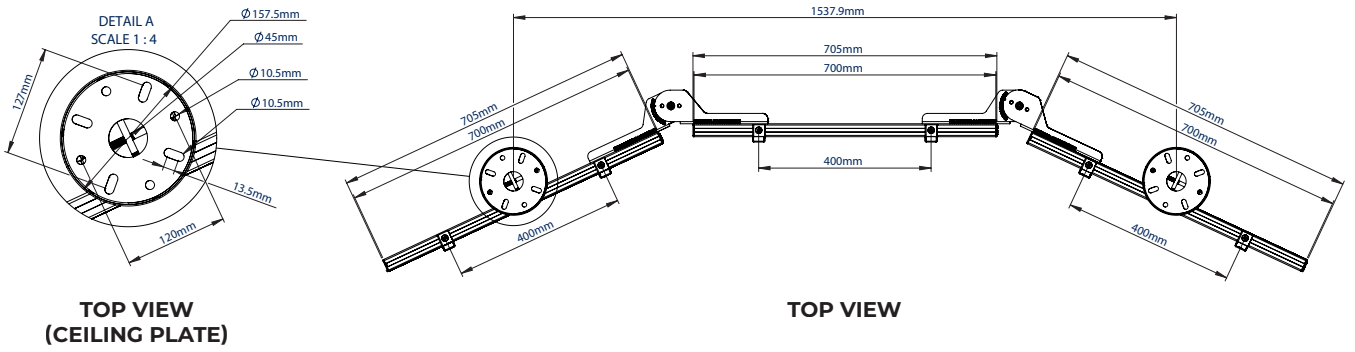
SYSTEM X

RECOMMENDED MAX SCREEN	MAX SCREEN WEIGHT	MAX VESA	MICRO ADJUSTMENT	POST INSTALL ALIGNMENT	CONFIGURE AS REQUIRED	QR CODE
75" 190cm	50kg	900				



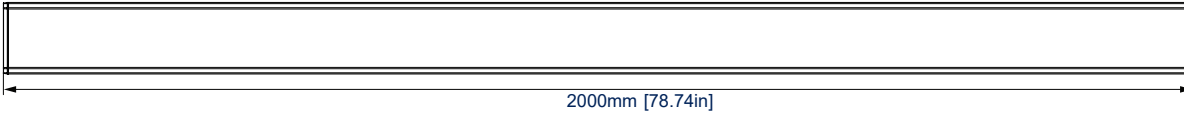
*Refers to maximum vertical fixing dimension for a typical configuration. Correctly sized interface arms and adaptors will be supplied as necessary to suit the mounting pattern you require.

BT8333

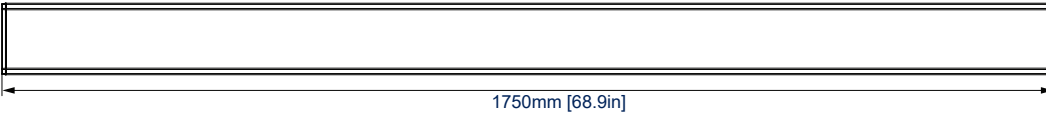


BT8390 MOUNTING RAIL LENGTHS

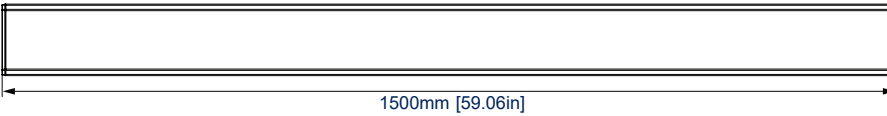
BT8390-200



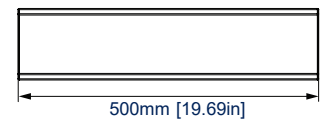
BT8390-175



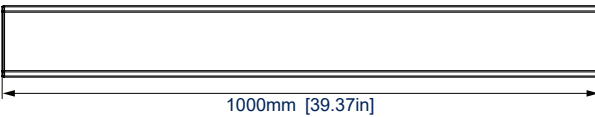
BT8390-150



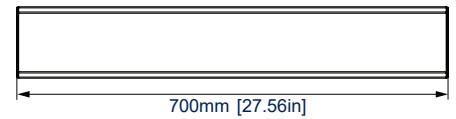
BT8390-050



BT8390-100



BT8390-070



ORDERING INFORMATION

COLOUR	ORDER REF	EAN
Black / Black	BT8333/BB	5019318301537

RELATED PRODUCTS

PRODUCT CODE	NAME	DESCRIPTION
BT8330	Menu Board Mounting System	For wall mounted menu board configurations
BT8331	Pop-In, Pop-Out Menu Board System	For menu board configurations
BT8332	Ceiling Mounted Menu Board Mounting System	For menu board installations of any size
BT8342	Ceiling Mounted Video Wall System	For video wall configurations

© 2016 B-Tech AV Mounts Corporation Ltd. All rights reserved. The information on this specification sheet reflects the current technical specifications at the time of printing. We reserve the right to change the technical or physical specifications without prior notice. The B-Tech name and the B-Tech logo are registered trademarks of B-Tech AV Mounts Corporation Ltd. B-Tech is not responsible for loss or damage caused by improper installation or mounting on unstable structures. Any reproduction or use without the prior written permission of B-Tech AV Mounts Corporation Ltd. is prohibited.

SS-V2-BT8333-06092024