



AVAILABLE
 IN MULTIPLE
 CONFIGURATIONS

BT8352

MODULAR FREESTANDING CURVED VIDEOWALL MOUNT



SHOWN IN A 4X4
 CONFIGURATION

The BT8352 is a modular, curved freestanding videowall mounting system. Available for use in both landscape and portrait configurations, the BT8352 can be used for installations up to 7 rows high and as many columns wide as desired. The modular design features adjustable compass brackets which allow the angle of each column to be adjusted by up to 30°, meaning a full 180° curve can be achieved with just 7 columns. Fast-fit connectors make assembly and disassembly of videowalls extremely quick and easy whilst tool-less micro-adjustment allows screens to be perfectly aligned with ease.

SPECIFICATION	
For screen sizes	46", 49" and 55"
Max load	50kg per screen
VESA® compatibility	200 x 200 to 600 x 400
Curve adjustment	up to 30° per column

FEATURES

- Modular design allows quick and easy assembly and disassembly of curved videowalls - perfect for rental applications
- Order to your exact requirements, anything from 2x2 to 70x7!
- Can be ordered for landscape or portrait screen mounting*
- Adjustable brackets allow column angles to be adjusted up to 30°- create a 180° curve with 7 columns
- Tool-less micro-adjustments for seamless display alignment
- Captive, fast-fit nuts and screws for fast assembly and disassembly
- Durable Epoxy powder coated frame is ideal for repeated assembly
- Choice of floor height spacers, with cosmetic covers included
- Flat, pop-out and curved pop-out versions also available (see **BT8350** / **BT8351** / **BT8353**)
- Safety screws help prevent unauthorised removal of screens
- Adjustable support bar provides added stability to videowall installations
- Base sections can face backwards if desired (must be used with **BT8350-WP** or **BT8350-WB** Ballast supports)
- Wall tie-back accessories (**BT8350-EB** and **BT8380-WTB**) also available



SYSTEM X

55" 140CM VESA 600 400 50KG PER SCREEN

*Landscape / portrait must be specified when ordering, a landscape kit can be used in portrait orientation with a few additional parts



Tool-less micro-adjustment for seamless display alignment



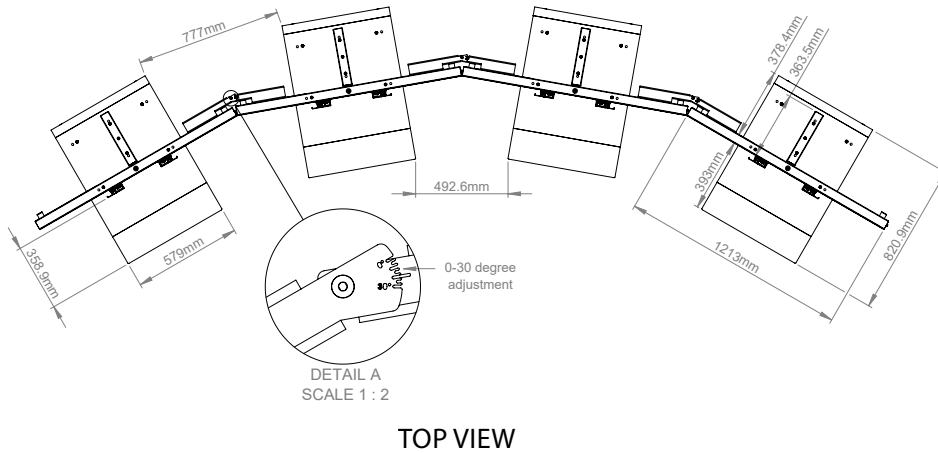
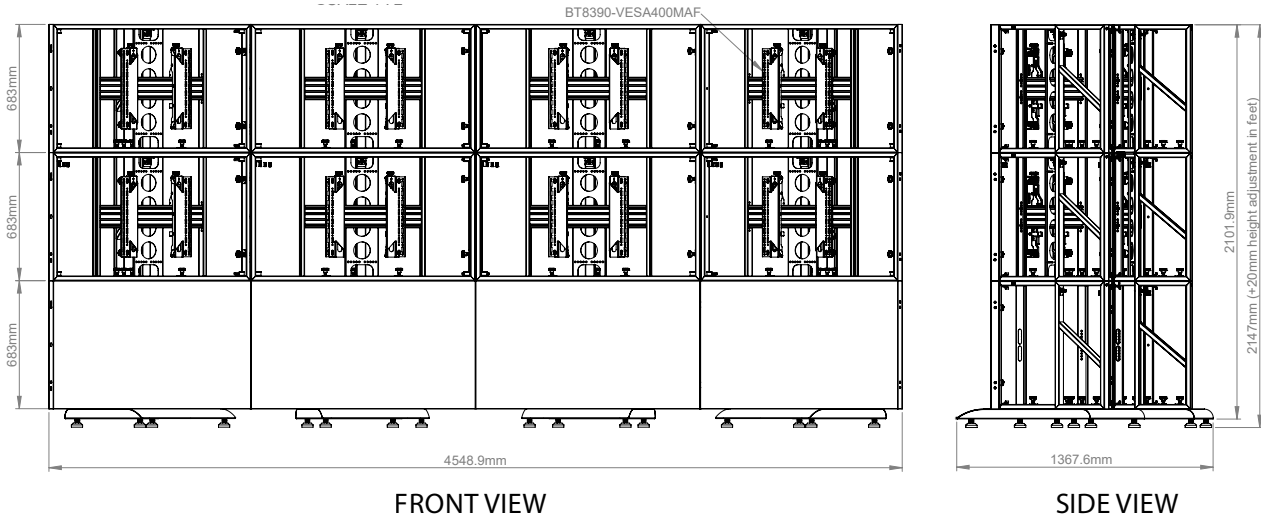
Cosmetic covers are included as standard



Captive fast-fit nuts and screws make assembly and disassembly quick and easy



Modular design allows quick & easy assembly



*BT7564 Adapter will be supplied when the VESA pattern is 600. This will add 6mm to depth of interface arms
 Model shown is BT8352 55" version. 46" & 49" model dimensions will differ, apart from the depth, which will remain the same.

PACKING INFORMATION		PLEASE NOTE, THIS IS A MULTI-BOX ITEM
COLOUR:	ORDER REF:	EAN CODE:
Black	BT8352/B	5019318079849

ORIGINAL DESIGNS BY B-TECH AV MOUNTS - REGISTERED DESIGNS & PATENTS APPLY

ACCESSORIES



Braked Castors fit to the framework to create a mobile videowall solution



Eye Bolt allows the framework to be tied back to a wall



Stackable **Ballast Plate** can be used as weight for reversed base installations



Stackable **Ballast Box** can be used to hold your own ballast - e.g. sandbags

© 2016 B-Tech Av Mounts Limited. All rights reserved.
 The information in this specification is subject to change without notice. This is a technical drawing and is not intended to be used for construction or installation purposes. Any reproduction or modification of any part of this specification is strictly prohibited unless prior written permission has been granted by B-Tech Av Mounts Limited.